

Acid-Proof Brick



A Koch Chemical Technology Group LLC Company

KOCH KNIGHT LLC

Koch Knight Acid-Proof Fireclay Brick

Experience Makes All the Difference

At Koch Knight LLC, our goal is to provide engineered solutions by focusing on specific customer needs. By applying our extensive experience in the industry and on-going product development, Koch Knight has developed brick lining materials capable of providing reliable service in the most demanding corrosive applications.

We offer KNIGHT-WARE® Fireclay Acid-Proof Brick in standard and custom designs. It is available in more shapes and sizes than any other acid-proof brick on the market, making it especially adaptable to acid-resistant masonry construction of various vessel sizes as well as for dished heads and other complex geometries.

KNIGHT-WARE brick meets ASTM specification C-279 for acid-proof masonry. And, all KNIGHT-WARE brick are true refractories. That means they will maintain their corrosion-resistant qualities in high temperature environments.

Whatever your corrosive application, Koch Knight has the acid-proof solution.



Koch Knight offers acid-proof brick in a variety of materials to withstand the most demanding corrosive environments.

Available Compositions and Product Bulletins

KNIGHT-WARE® Brick	B-104
KNIGHT-WARE® AP-302	B-120
KNIGHT-WARE® PV33P	B-204
KNIGHT-WARE® WR	B-123
KNIGHT-WARE® HD	B-124
PERMANITE® Resin Tile	B-109, B-121
CORESITE™ Brick	B-111

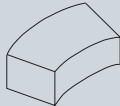
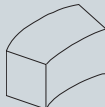

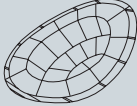
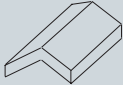


Arch Brick.

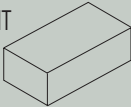

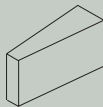
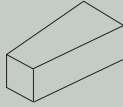


Head Brick.

CUSTOM BRICK

		SIZES	SHAPES
CIRCLE BRICK		9 x 4 1/2 x 3	Radial are custom made to fit given tower diameter
CIRCLE BRICK		8 x 3 3/4 x 4 1/2	Radial are custom made to fit given tower diameter
BOOK TILE		9 x 4 1/2 x (varies) x 1 1/2", 2", 2 1/2", 3" Thk. 9 x 6 x (varies) x 1 1/2", 2", 2 1/2" Thk. 15 x 4 1/2 x (varies) x 1 1/2", 2", 2 1/2", 3" Thk.	
HEAD BRICK		Dished, flanged & dished, 2:1 elliptical, hemispherical, cone	Custom made to fit the dish and knuckle radii dimensions
BAFFLE BRICK		Extensive selection	Custom designed by application

STANDARD BRICK

		SIZES	SHAPES
STRAIGHT BRICK		9 x 4 1/2 x 2 1/2 9 x 4 1/2 x 3 9 x 6 x 3	N/A
ARCH BRICK		9 x 4 1/2 x 2 1/2 9 x 4 1/2 x 3 9 x 6 x 3	#1A #2A #3A #4A
WEDGE BRICK		9 x 4 1/2 x 2 1/2 9 x 4 1/2 x 3 9 x 6 x 3	#1-XW #1W #2W #3W
KEY BRICK		9 x 4 1/2 x 2 1/2 9 x 4 1/2 x 3 9 x 6 x 3	#1K #2K #3K #4K



The above photo demonstrates book tile brick construction inside a drying tower.



KNIGHT-WARE Book Tile.



Circle Brick.

NOTE: All acid-proof brick manufactured conforms to ASTM Spec. C-279.

Corrosion - Proof Mortars

PERMANITE® Resin Mortar

An all-purpose furan resin mortar. Excellent for non-oxidizing acids, alkalis, and organic solvents. Available in a variety of setting speeds to suit the installation.

ACIDSIL™ Mortar

An improved sodium silicate type mortar with greater water resistance and higher physical strength. Resistant to crystallization, cracking, and vitrification to 1900°F.

ACIDSIL™ "K" Mortar

An improved potassium silicate type mortar with greater water resistance and higher physical strength. Resistant to crystallization, cracking, and vitrification to 1900°F.

ACIDSIL™ "HK" Mortar

An alumina calcine mortar with great water resistance and bearing strength. Resistant to crystallization, cracking, and vitrification to 2700°F.



CORESITETM Mortar

An especially compounded hydraulic type mortar. Resistant to chemical attack by acids, alkalis, salt solutions, and organic solvents.

VET 94™

A vinyl ester mortar for chloride applications. Available in a range of setting properties.

RESIBOND® D Mortar

A selected vinyl ester resin mortar with excellent adhesion to ceramics and metals. Satisfactory for dilute acids, alkalis, and oxidizing agents.

Creating value for customers through providing non-metallic solutions to the toughest corrosive process applications.

A Koch Chemical Technology Group LLC Company

KOCH KNIGHT LLC

Koch Knight LLC Offices

Corporate

P.O. Box 30070
5385 Orchard View Drive SE
East Canton, OH 44730 USA
Phone: 330/488-1651
Fax: 330/488-1656

Gulf Coast

11746 S Harrell's Ferry Road
Suite "C"
Baton Rouge, LA 70816
Phone: 225/292-9899
Fax: 225/292-0033

Canada

2446 Bank Street
Suite 717
Ottawa, Ontario, Canada K1V 1A8
Phone: 613/731-2001
Fax: 613/731-2218

Visit us on the Internet:

www.kochknight.com

KNIGHT-WARE®, PERMANITE®, and RESIBOND® are registered trademarks of Koch Knight LLC.

Koch Knight LLC provides a wide range of corrosion resistant process equipment for the Chemical Process Industries. Our corrosive process applications engineers design this equipment. Our scope of supply can extend from the design and supply of tower packing and tower internals to project management of turnkey field erected and lined vessels or shop lined vessels.

NOTE: "The information contained in this bulletin is believed to be accurate and reliable but is not to be construed as implying any warranty or guarantee of performance."