



Clamshell Swivel Pipe Fittings

When using APT product piping, continuous runs eliminate the need for in-line joints. Installers make connections inside accessible containment sumps using APT swivel fittings. These fittings are manufactured from solid brass with two Viton O-ring protected in grooves located on the inside of the connector. Ductile iron clamps with zinc plating secure the fittings to the pipe.

MODEL	DESCRIPTION: MALE SWIVELS
MS-150-150	Male Swivel installs on the end of 1 ½" single/secondary contained pipe with 1.50" NPT
MS-150-200	Male Swivel installs on the end of 1 ½" single/secondary contained pipe with 2.00" NPT
MS-175-150	Male Swivel installs on the end of 1 ¾" single/secondary contained pipe with 1.50" NPT
MS-175-200	Male Swivel installs on the end of 1 ¾" single/secondary contained pipe with 2.00" NPT
MS-200-150	Male Swivel installs on the end of 2.00" single/secondary contained pipe with 1.50" NPT
MS-200-200	Male Swivel installs on the end of 2.00" single/secondary contained pipe with 2.00" NPT

MODEL	DESCRIPTION: FEMALE SWIVELS
FS-150-200	Female Swivel installs on the end of 1 ½" single/secondary contained pipe with 2.00" NPT
FS-175-150	Female Swivel installs on the end of 1 ¾" single/secondary contained pipe with 1.50" NPT
FS-175-200	Female Swivel installs on the end of 1 ¾" single/secondary contained pipe with 2.00" NPT
FS-200-150	Female Swivel installs on the end of 2.00" single/secondary contained pipe with 1.50" NPT
FS-200-200	Female Swivel installs on the end of 2.00" single/secondary contained pipe with 2.00" NPT

P-Series fitting to be used only for P-Series pipe.

Design Highlights & Advantages

- No special tools required for fitting installation.
- Connection threads are compatible with 1 ½" or 2" standard NPT pipe threads.
- Swivel fittings utilize APT's proven ductile iron pipe clamps.
- APT provides all sealants, clamps, bolts and installation instructions with every fitting.
- Male and female swivel fittings available.
- All APT male and female swivel pipe fittings are UL listed under file MH 17457 and ULC listed under file CMH 1613.

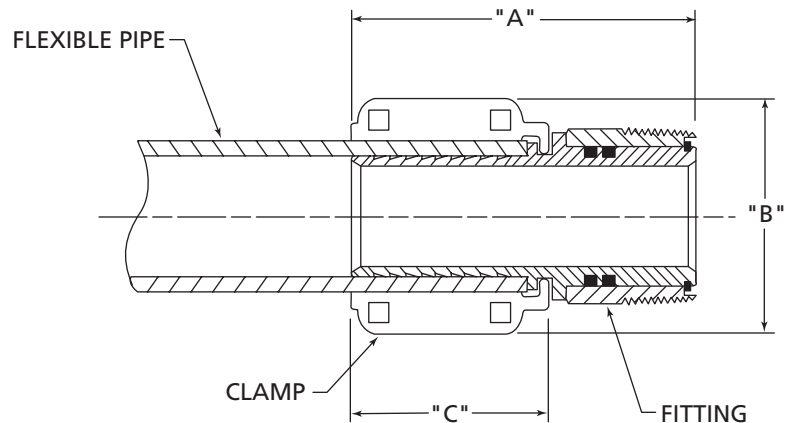




Clamshell Swivel Pipe Fittings

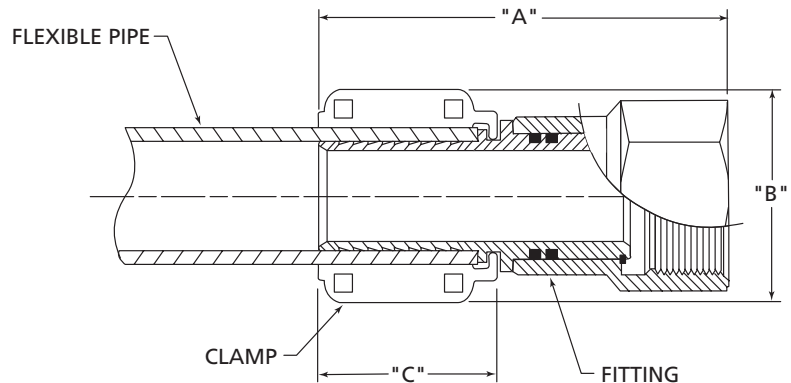
Male Swivel

MODEL	DIM. "A"	DIM. "B"	DIM. "C"
MS-150-150	4.500"	3.134"	2.115"
MS-150-150-B	4.500"	3.134"	2.115"
MS-150-200	4.190"	3.134"	2.115"
MS-150-200-B	4.190"	3.134"	2.115"
MS-175-150	4.500"	3.400"	2.115"
MS-175-150-B	4.500"	3.400"	2.115"
MS-175-200	4.190"	3.400"	2.115"
MS-175-200-B	4.190"	3.400"	2.115"
MS-200-150	5.500"	3.900"	3.218"
MS-200-150-B	5.500"	3.900"	3.218"
MS-200-200	5.190"	3.900"	3.218"
MS-200-200-B	5.190"	3.900"	3.218"



Female Swivel

MODEL	DIM. "A"	DIM. "B"	DIM. "C"
FS-150-150	5.937"	3.134"	2.115"
FS-150-150-B	5.937"	3.134"	2.115"
FS-150-200	5.630"	3.134"	2.115"
FS-150-200-B	5.630"	3.134"	2.115"
FS-175-150	5.937"	3.400"	2.115"
FS-175-150-B	5.937"	3.400"	2.115"
FS-175-200	5.630"	3.400"	2.115"
FS-175-200-B	5.630"	3.400"	2.115"
FS-200-150	6.937"	3.900"	3.218"
FS-200-150-B	6.937"	3.900"	3.218"
FS-200-200	6.630"	3.900"	3.218"
FS-200-200-B	6.937"	3.900"	3.218"



P-Series fitting to be used only for P-Series pipe.