

Gauge Hatch with Lock



Gauge Hatch with Lock – Model Number 210

Product Description

StorageTech Gauge Hatch Model Number 210 is a safety device that has a cover structure that incorporates a pallet/diaphragm combination and that is cooperatively associated with a pressure responsive liquid seal subassembly. The lock system prevents unauthorized access to the storage tank. They are typically mounted to a flange, which connects the vapor space of a storage tank. Gauge hatches can be set to your specifications so that the pallet assemblies in the housings open when specific pressure and vacuum levels are reached.



Product Benefits

- StorageTech gauge hatch prevents evaporation losses.
- Protect s environment. *Model Number 210* prevents green house gasses from mixing the atmosphere, and minimizes the product odors around the surrounding area.
- Gauge Hatch provides safety for your storage facility. Model Number 210 protects your storage tank.
- Provides tank access where manual level gauging, temperature measurement or sampling is required.
- Lockable cover prevents unauthorized access to the storage tank.

Key Features:

- StorageTech *Model Number 210* provides teflon seal for a longer service period, and reduce the spare cost.
- Locking-systems are durable against petrol chemical vapors.
- Non-sparking design
- Foot pedal helps you to open the cover without using your hands, and lockable cover
- Easy to install. You do not need a special tool or experience to install the StorageTech Model 210.
- StorageTech Model 210 comes with the paint color you choose.



StorageTech is registered trademark of Ergil Group

Made in Europe

M.Nezihi Ozmen Mah.Fatih Cad.Kayikci Sk.No.8 K:2 Merter-ISTANBUL -TURKEY

Phone: +90 212 643 62 26 (Pbx) Fax: +90 212 643 62 22

www.ergil-storageTech.com, www.ergilgroup.com info@ergilgroup.com

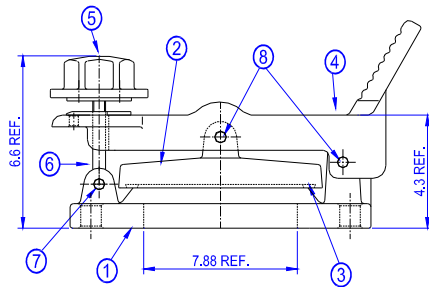
Gauge Hatch with Lock



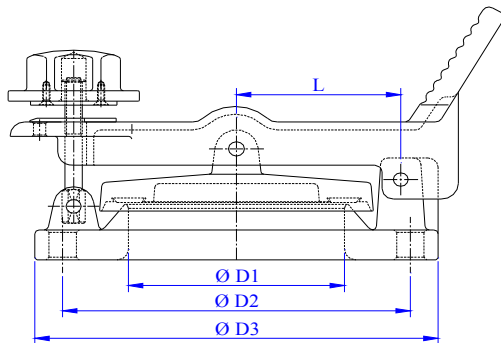
Manufacturing Materials:

Base	Lid	Arm	Handle	Weights	Gaskets
Aluminum	Aluminum	Aluminum	Aluminum	Aluminum	Neoprone
304 S.S.	304 S.S.	304 S.S.	304 S.S.	Zinc	
316 S.S.	316 S.S.	316 S.S.	316 S.S.	304 S.S.	
Carbon Steel	Carbon Steel	Carbon Steel	Carbon Steel	316 S.S.	

Dimensions and Weights:



Model Number 210				
Ref.	Part No.	Part Name	Material	Quantity
1	210-01	Base	Cast Al.	1
2	210-02	Lid	Cast Al.	1
3	210-03	Lid Gasket	Sponge Neoprene	1
4	210-04	Arm	Cast Al.	1
5	210-05	Handle	Cast Al.	1
6	210-06	Swing Bolt	304 SS	1
7	210-07	Roll Pin	304 SS	1
8	210-08	Roll Pin	304 SS	2



SIZE	CODE	DIMENSION			
		D1	D2	D3	L
3"	MAK03	83	152	195	86
4"	MAK044	102	190	226	96
6"	MAK045	150	242	280	114
8"	MAK046	198	295	338	155
10"	MAK46A	254.5	362	406.4	194



Made in Europe

Storageteck is registered trademark of Ergil Group

M.Nezihi Ozmen Mah.Fatih Cad.Kayikli Sk.No.8 K:2 Merter-ISTANBUL -TURKEY

Phone: +90 212 643 62 26 (Pbx) Fax: +90 212 643 62 22

www.ergil-storageteck.com, www.ergilgroup.com info@ergilgroup.com