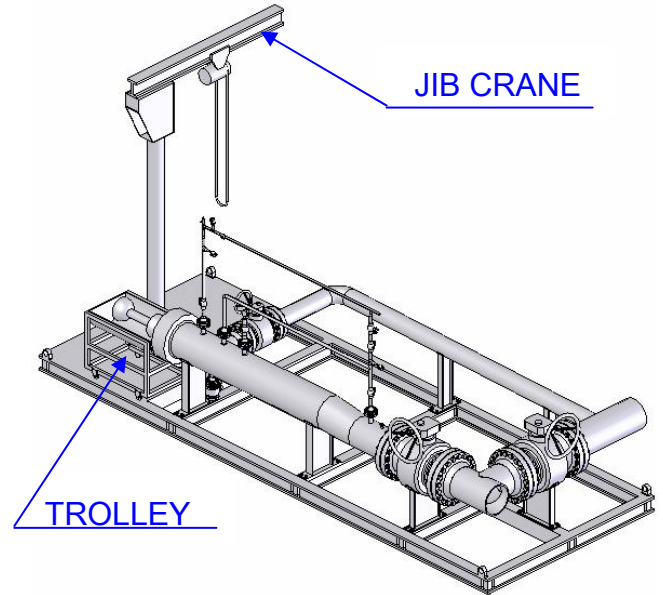


RHINO™ PIG HANDLING SYSTEM (INCLUDING JIB CRANE AND TROLLEY)



Product Description:

Rhino Process Equipment™ provides custom made pig handling cranes and trolley systems for your pigging station. These systems can help you to handle, load, and unload the pigs without using man power and minimize the work accidents. Each pig handling and trolley system is designed and manufactured to meet the requirements of each client. Pig handling systems consist of a trolley and a crane. Pig trolleys can be either mechanical (man-power), or automatic, which is powered by a motor. Systems can be also applied separately. Spark proof certificated handling system can be also supplied on request. Handling system specially designed for easy use, and easy to maintenance; no need for spare parts.



Product Benefits:

- Easy to use and install.
- You do not need a special tool or experience to install the pig handling system.
- Rhino™ pig handling system is made of corrosion resistant materials with long life duration.
- Rhino™ offers spare parts for all of its products during maintenance.
- Suitable for intelligent pigging.

Key Features:

- Rhino™ pig handling system comes with the sand blasted and primer coated and color of your choice.
- All welds are 100% inspected and tested
- Different sizes are available, and different carriage capacity can be manufactured upon request.



Made in Europe

Rhino is registered trademark of Ergil Group

M.Nezih Ozmen Mah.Fatih Cad.Kayikci Sk.No.8 K:2 Merter-ISTANBUL -TURKEY

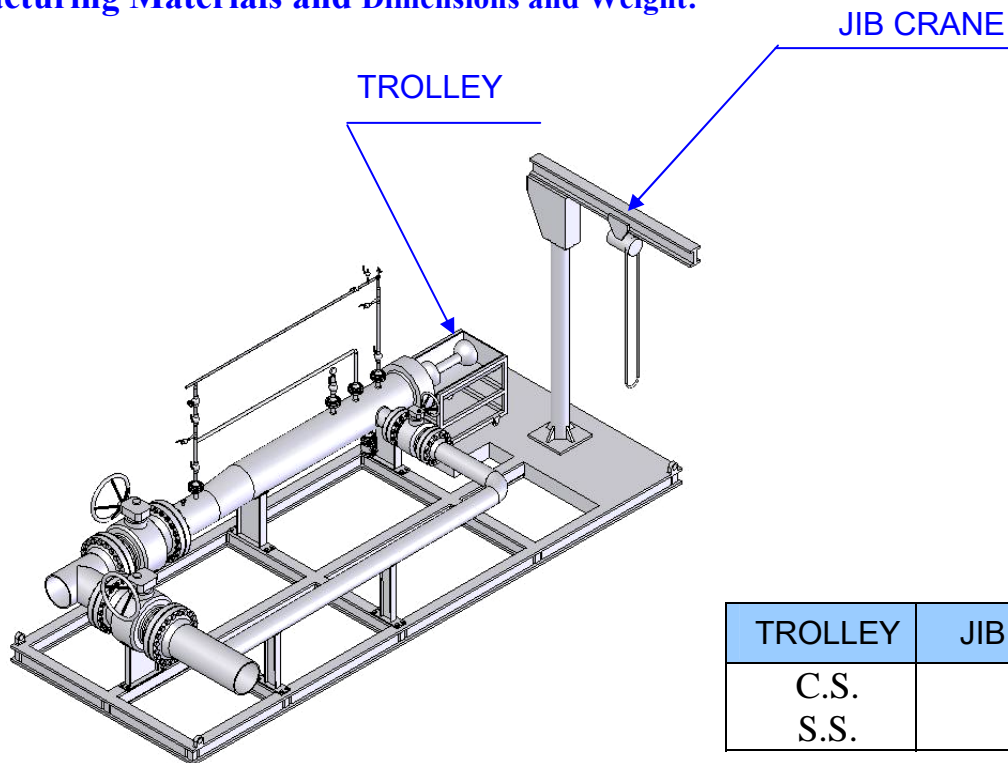
Phone: +90 212 643 62 26 (Pbx) Fax: +90 212 643 62 22

www.pigreceiverlaunher.com www.ergilgroup.com info@ergilgroup.com

RHINO™ PIG HANDLING SYSTEM (INCLUDING JIB CRANE AND TROLLEY)

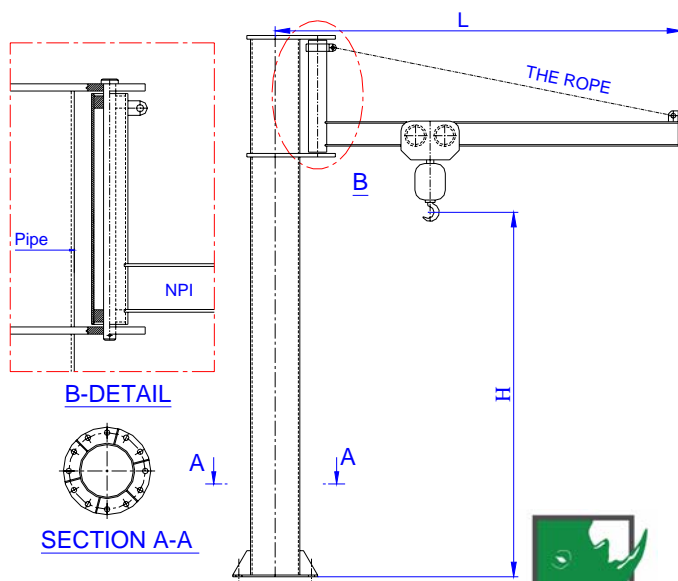


Manufacturing Materials and Dimensions and Weight:



TROLLEY	JIB CRANE
C.S.	C.S.
S.S.	S.S.

JIB CRANE



	H	L
1	4500	4030
2	3500	3000
3	2500	2000



Made in Europe

Rhino is registered trademark of Ergil Group

M.Nezih Ozmen Mah.Fatih Cad.Kayikci Sk.No.8 K:2 Merter-ISTANBUL -TURKEY

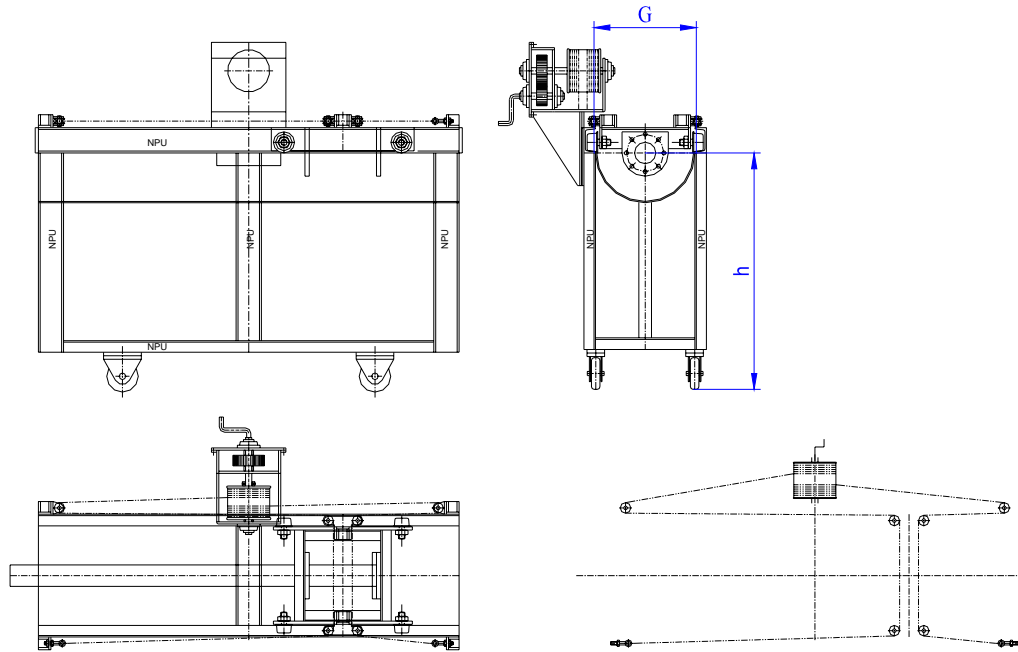
Phone: +90 212 643 62 26 (Pbx) Fax: +90 212 643 62 22

www.pigreceiverlaunher.com www.ergilgroup.com info@ergilgroup.com

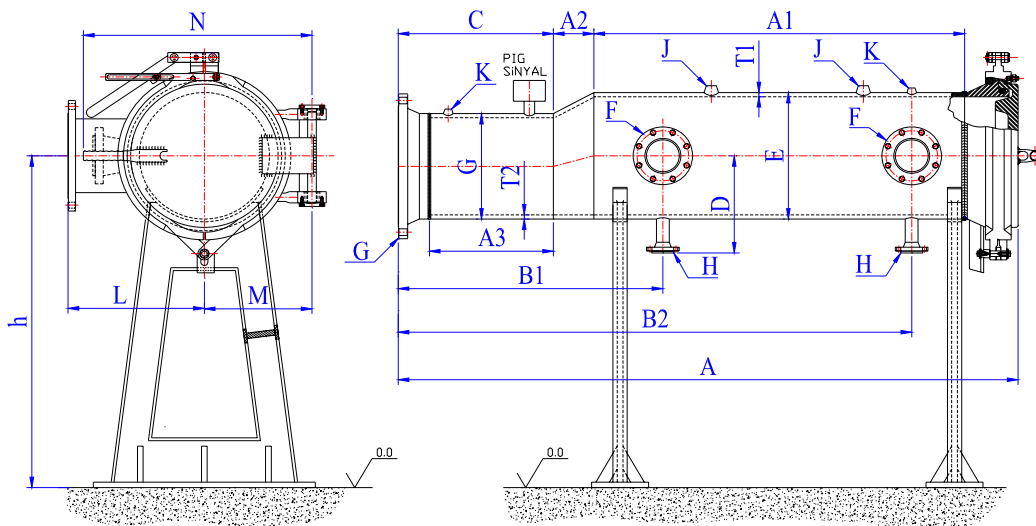
RHINO™ PIG HANDLING SYSTEM (INCLUDING JIB CRANE AND TROLLEY)



TROLLEY



THE ROPE EQUIPMENT DETAIL



Made in Europe

Rhino is registered trademark of Ergil Group

M.Nezih Ozmen Mah.Fatih Cad.Kayikci Sk.No.8 K:2 Merter-ISTANBUL -TURKEY

Phone: +90 212 643 62 26 (Pbx) Fax: +90 212 643 62 22

www.pigreceiverlaunher.com www.ergilgroup.com info@ergilgroup.com

RHINO™ PIG HANDLING SYSTEM

(INCLUDING JIB CRANE AND TROLLEY)



Size (inch)	A	B1	B2	C	D	E	T2	F	G	T1	H	J	K	L	M	N
3	41-13/16	18-1/4	33-1/8	10-3/4	3-7/8	4-1/2	0.14 4	3/4"	3"	0.21 9	2" Threaded	1" NPT	1/2" NPT	5-13/16	N/A	N/A
4	44-1/4	19-7/8	33-9/16	10-3/4	4-7/8	6-5/8	0.17 6	1"	4"	0.28 1	2" Threaded	1" NPT	1/2" NPT	7-1/4	N/A	N/A
6	98-13/16	38-9/16	86-1/6	28-1/8	5-7/8	8-5/8	0.21 9	2"	6"	0.34 4	2" Threaded	1" NPT	1/2" NPT	9-1/8	N/A	N/A
8	115-3/4	43-1/8	97-3/8	31-11/16	7	10-3/4	0.281	2"	8"	0.34 4	2" Threaded	1" NPT	1/2" NPT	10-3/16	7-5/8	17-7/8
10	124	46-3/4	103-1/2	33-7/16	8	12-3/4	0.34 4	3"	10"	0.34 4	2" Threaded	1" NPT	1/2" NPT	11-13/16	8-9/16	19-11/16
12	131	55-3/16	114-3/8	34-5/8	9-5/8	16	0.34 4	4"	12"	0.39 4	2" Threaded	1" NPT	1/2" NPT	14-7/16	13-3/4	29-1/2
14	130-3/16	55-1/2	113-1/4	33-15/16	10-5/8	18	0.34 4	4"	14"	0.39 4	2" Threaded	1" NPT	1/2" NPT	15-7/16	14-7/8	31-5/8
16	104-1/16	50-1/8	86-7/8	23-9/16	11-5/8	20	0.39 4	4"	16"	0.5	2" Threaded	1" NPT	1/2" NPT	16-7/16	16	33-5/8
18	118-7/16	55-9/16	99-1/6	27-3/8	12-5/8	22	0.39 4	6"	18"	0.5	2" Threaded	1" NPT	1/2" NPT	19-1/8	17-1/8	35-7/8
20	114-5/16	48-13/16	94-11/16	28-5/8	18-7/16	24	0.5	6"	20"	0.56 2	4"Flange d	1"NP T	1/2" NPT	20-1/8	18-5/16	38-1/16
22	127-3/4	53-13/16	106-7/16	32-5/8	19-7/16	26	0.5	6"	22"	0.56 2	4"Flange d	2" NPT	1/2" NPT	21-1/8	19-15/16	41-1/16
24	135-1/16	57-5/16	112-3/16	33-7/8	21-3/4	28	0.562	8"	24"	0.56 2	4"Flange d	2" NPT	1/2" NPT	23-7/8	21-1/16	42-15/16
26	150	62-7/8	126-13/16	38-7/16	22-3/4	30	0.562	8"	26"	0.62 5	4"Flange d	2" NPT	1/2" NPT	24-7/8	22-1/4	45-3/8
28	162-5/8	65-1/8	131-1/4	39-11/16	23-3/4	32	0.562	8"	28"	0.62 5	4"Flange d	2" NPT	1/2" NPT	25-7/8	23-7/16	46-7/16
30	181-7/16	72-11/16	147-9/16	44-1/2	24-3/4	34	0.625	10"	30"	0.62 5	4"Flange d	2" NPT	1/2" NPT	27-11/16	24-5/8	48-5/8
32	186-7/8	74-15/16	162-3/16	45-3/4	25-3/4	36	0.625	10"	32"	0.62 5	4"Flange d	2" NPT	1/2" NPT	28-11/16	27-3/8	52-3/8
34	206-1/8	81-11/16	168-7/8	51-1/2	26-13/16	38	0.625	10"	34"	0.62 5	4"Flange d	2" NPT	1/2" NPT	30-1/4	29	56
36	213-13/16	85-1/16	174-3/4	52-7/8	27-13/16	40	0.625	12"	36"	0.62 5	4"Flange d	2" NPT	1/2" NPT	31-5/8	30-3/16	58-3/16
38	224-5/8	89-1/16	182-11/16	55-7/8	28-13/16	42	0.625	12"	38"	0.68 8	4"Flange d	2" NPT	1/2" NPT	32-5/8	31-5/16	60-5/16
40	235-3/16	93-1/16	194-1/2	58-7/8	29-13/16	44	0.625	12"	40"	0.68 8	4"Flange d	2" NPT	1/2" NPT	33-5/8	32-1/2	62-1/2
42	242	96-3/16	199-9/16	60-1/8	30-13/16	46	0.688	14"	42"	0.68 8	4"Flange d	2" NPT	1/2" NPT	35-3/16	33-11/16	64-11/16
44	257-13/16	101-15/16	214-5/8	64-7/8	31-13/16	48	0.688	14"	44"	0.75	4"Flange d	2" NPT	1/2" NPT	36-3/16	34-13/16	66-13/16



Made in Europe

Rhino is registered trademark of Ergil Group

M.Nezih Ozmen Mah.Fatih Cad.Kayikci Sk.No.8 K:2 Merter-ISTANBUL -TURKEY

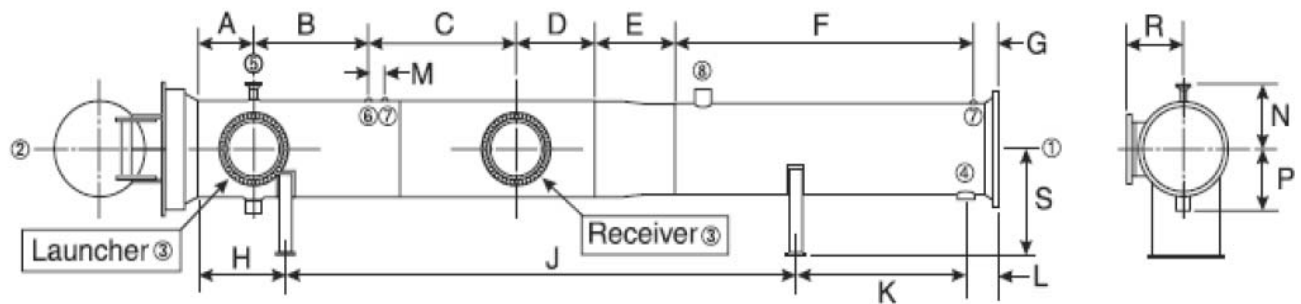
Phone: +90 212 643 62 26 (Pbx) Fax: +90 212 643 62 22

www.pigreceiverlaunher.com www.ergilgroup.com info@ergilgroup.com

RHINO™ PIG HANDLING SYSTEM (INCLUDING JIB CRANE AND TROLLEY)



Ordering:



DIMENSION									
A		D		G		K		N	S
B		E		H		L		P	
C		F		J		M		R	

Nozzle Schedule								
Tag	Size	Service	QTY		Tag	Size	Service	QTY
1		Inlet	1		6		P.I.	
2		Closure	1		7		Equalizer Line	2
3		Kicker/ Blowdown			8		Pig Signal	1
4		Drain						
5		Vent						



Made in Europe

Rhino is registered trademark of Ergil Group

M.Nezih Ozmen Mah.Fatih Cad.Kayikci Sk.No.8 K:2 Merter-ISTANBUL -TURKEY

Phone: +90 212 643 62 26 (Pbx) Fax: +90 212 643 62 22

www.pigreceiverlauncher.com www.ergilgroup.com info@ergilgroup.com