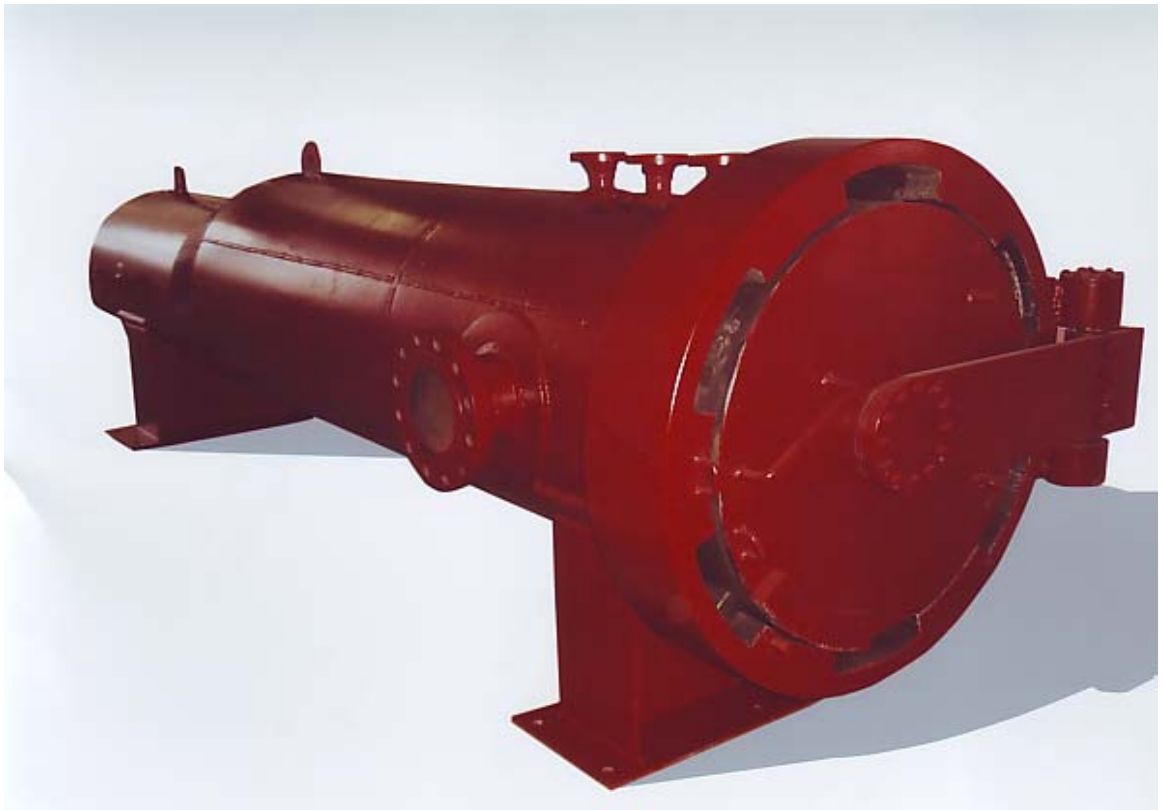


STANDARD RHINO™ PIG LAUNCHER & PIG RECEIVERS (SCRAPERS)



Product Description:

Rhino Pipeline Equipment provides Pig Receiver & Launchers to oil, gas and liquid service and operator companies. Rhino is capable of providing pig receives and launchers for pipelines of any size and pressure ratings. Rhino provides complete solutions for your pipeline related jobs, such as cleaning, drying, testing and displacement. Easy to use Rhino launchers and receivers can be used almost all kind of applications. Rhino PRL can be designed to accommodate scraper pigs, sphere pigs or "smart" pigs, or any combination of the three. STANDARD RHINO™ PIG LAUNCHER & PIG RECEIVERS comes with the standard type pig signal /indicator, closure, and nozzles.



Made in Europe

Rhino is registered trademark of Ergil Group

M.Nezih Ozmen Mah.Fatih Cad.Kayikci Sk.No.8 K:2 Merter-ISTANBUL -TURKEY

Phone: +90 212 643 62 26 (Pbx) Fax: +90 212 643 62 22

www.pigreceiverlauncher.com . www.ergilgroup.com info@ergilgroup.com

STANDARD RHINO™ PIG LAUNCHER & PIG RECEIVERS (SCRAPERS)



Product Benefits:

- Easy to use and install
- You do not need a special tool or experience to install the
- Rhino™ pig receiver and launcher is made of corrosion resistant materials with long life duration.
- Rhino™ offers spare parts for all of its products during maintenance.
- Rhino™ closures come with the two different choices of seals that are resistant to high pressure and prevent leakages.

Key Features:

- Designed to ASME B31.4 , ASME B31.8 and ASME Section VIII Div. 1 Codes
- All pig receiver and launcher comes with the appropriate Rhino™ pig indicator.
- All pig receiver and launcher comes with the appropriate Rhino™ closures.
- All pig receiver and launcher comes with the sand blasted and primer coated and color of your choice.
- All welds are 100% inspected and tested
- All pig receiver and launcher are hydrostatically tested.

Manufacturing Materials:

TRUNK	FLANGE	CLOSURE	PIG SIGNAL	SUPPORT	SEAL
API 5L A105 A181 A182 / A182 M-98 (F1,F2, F5, F9, F11, F12, F22, F304, F304L, F316, F321, F347, F348, F310) A350 (LF1, LF2,LF3)	ANSI B 16- 5 A350-L2	P460NL1 A150	PIG SIGNAL ASSEMBLY (PTFE , API 5L X52, BS970, SS, VITON, INCONEL)	A516	PUR VITON



Made in Europe

Rhino is registered trademark of Ergil Group

M.Nezih Ozmen Mah.Fatih Cad.Kayikci Sk.No.8 K:2 Merter-ISTANBUL -TURKEY

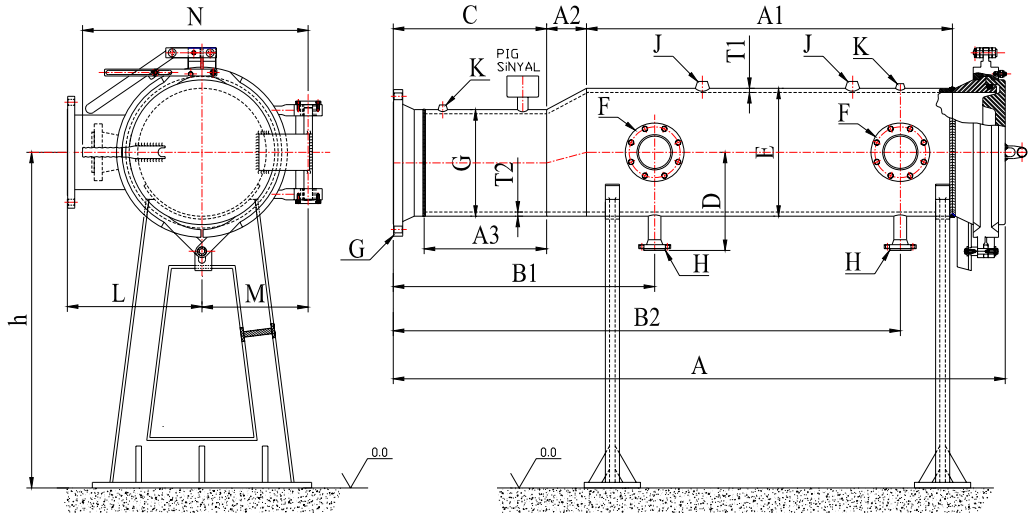
Phone: +90 212 643 62 26 (Pbx) Fax: +90 212 643 62 22

www.pigreceiverlauncher.com . www.ergilgroup.com info@ergilgroup.com

STANDARD RHINO™ PIG LAUNCHER & PIG RECEIVERS (SCRAPERS)



Dimensions and Weight:



Size (inch)	A	B1	B2	C	D	E	T2	F	G	T1	H	J	K	L	M	N
3	41-13/16	18-1/4	33-1/8	10-3/4	3-7/8	4-1/2	0.144	3/4"	3"	0.219	2" Threaded	1"NPT	1/2"NP T	5-13/16	N/A	N/A
4	44-1/4	19-7/8	33-9/16	10-3/4	4-7/8	6-5/8	0.176	1"	4"	0.281	2" Threaded	1"NPT	1/2"NP T	7-1/4	N/A	N/A
6	98-13/16	38-9/16	86-1/6	28-1/8	5-7/8	8-5/8	0.219	2"	6"	0.344	2" Threaded	1"NPT	1/2"NP T	9-1/8	N/A	N/A
8	115-3/4	43-1/8	97-3/8	31-11/16	7	10-3/4	0.281	2"	8"	0.344	2" Threaded	1"NPT	1/2"NP T	10-3/16	7-5/8	17-7/8
10	124	46-3/4	103-1/2	33-7/16	8	12-3/4	0.344	3"	10"	0.344	2" Threaded	1"NPT	1/2"NP T	11-13/16	8-9/16	19-11/16
12	131	55-3/16	114-3/8	34-5/8	9-5/8	16	0.344	4"	12"	0.394	2" Threaded	1"NPT	1/2"NP T	14-7/16	13-3/4	29-1/2
14	130-3/16	55-1/2	113-1/4	33-15/16	10-5/8	18	0.344	4"	14"	0.394	2" Threaded	1"NPT	1/2"NP T	15-7/16	14-7/8	31-5/8



Made in Europe

Rhino is registered trademark of Ergil Group

M.Nezih Ozmen Mah.Fatih Cad.Kayikci Sk.No.8 K:2 Merter-ISTANBUL -TURKEY

Phone: +90 212 643 62 26 (Pbx) Fax: +90 212 643 62 22

www.pigreceiverlauncher.com www.ergilgroup.com info@ergilgroup.com

STANDARD RHINO™ PIG LAUNCHER & PIG RECEIVERS (SCRAPERS)



16	104-1/16	50-18	86-78	23-9/16	11-5/8	20	0.394	4"	16"	0.5	2" Threaded	1"NPT	1/2"NPT	T	16-7/16	16	33-5/8
18	118-7/16	55-9/16	99-1/6	27-3/8	12-5/8	22	0.394	6"	18"	0.5	2" Threaded	1"NPT	1/2"NPT	T	19-1/8	17-1/8	35-7/8
20	114-5/16	48-13/16	94-11/16	28-5/8	18-7/16	24	0.5	6"	20"	0.562	4"Flanged	1"NPT	1/2"NPT	T	20-1/8	18-5/16	38-1/16
22	127-3/4	53-13/16	106-7/16	32-5/8	19-7/16	26	0.5	6"	22"	0.562	4"Flanged	2"NPT	1/2"NPT	T	21-1/8	19-15/16	41-1/16
24	135-1/16	57-5/16	112-3/16	33-7/8	21-3/4	28	0.562	8"	24"	0.562	4"Flanged	2"NPT	1/2"NPT	T	23-7/8	21-1/16	42-15/16
26	150	62-7/8	126-13/16	38-7/16	22-3/4	30	0.562	8"	26"	0.625	4"Flanged	2"NPT	1/2"NPT	T	24-7/8	22-1/4	45-3/8
28	162-5/8	65-1/8	131-1/4	39-11/16	23-3/4	32	0.562	8"	28"	0.625	4"Flanged	2"NPT	1/2"NPT	T	25-7/8	23-7/16	46-7/16
30	181-7/16	72-11/16	147-9/16	44-1/2	24-3/4	34	0.625	10"	30"	0.625	4"Flanged	2"NPT	1/2"NPT	T	27-11/16	24-5/8	48-5/8
32	186-7/8	74-15/16	162-3/16	45-3/4	25-3/4	36	0.625	10"	32"	0.625	4"Flanged	2"NPT	1/2"NPT	T	28-11/16	27-3/8	52-3/8
34	206-1/8	81-11/16	168-7/8	51-1/2	26-13/16	38	0.625	10"	34"	0.625	4"Flanged	2"NPT	1/2"NPT	T	30-1/4	29	56
36	213-13/16	85-1/16	174-3/4	52-7/8	27-13/16	40	0.625	12"	36"	0.625	4"Flanged	2"NPT	1/2"NPT	T	31-5/8	30-3/16	58-3/16
38	224-5/8	89-1/16	182-11/16	55-7/8	28-13/16	42	0.625	12"	38"	0.688	4"Flanged	2"NPT	1/2"NPT	T	32-5/8	31-5/16	60-5/16
40	235-3/16	93-1/16	194-1/2	58-7/8	29-13/16	44	0.625	12"	40"	0.688	4"Flanged	2"NPT	1/2"NPT	T	33-5/8	32-1/2	62-1/2
42	242	96-3/16	199-9/16	60-1/8	30-13/16	46	0.688	14"	42"	0.688	4"Flanged	2"NPT	1/2"NPT	T	35-3/16	33-11/16	64-11/16
44	257-13/16	101-15/16	214-5/8	64-7/8	31-13/16	48	0.688	14"	44"	0.75	4"Flanged	2"NPT	1/2"NPT	T	36-3/16	34-13/16	66-13/16



Made in Europe

Rhino is registered trademark of Ergil Group

M.Nezih Ozmen Mah.Fatih Cad.Kayikci Sk.No.8 K:2 Merter-ISTANBUL -TURKEY

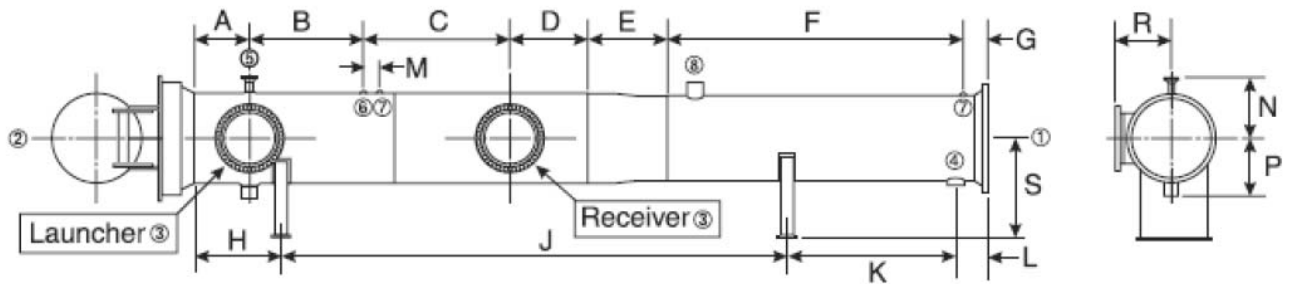
Phone: +90 212 643 62 26 (Pbx) Fax: +90 212 643 62 22

www.pigreceiverlauncher.com . www.ergilgroup.com info@ergilgroup.com

STANDARD RHINO™ PIG LAUNCHER & PIG RECEIVERS (SCRAPERS)



Ordering:



DIMENSION							
A		D		G		K	
B		E		H		L	
C		F		J		M	
							S
							N
							P
							R

Nozzle Schedule								
Tag	Size	Service	QTY		Tag	Size	Service	QTY
1		Inlet	1		6		P.I.	
2		Closure	1		7		Equalizer Line	2
3		Kicker/ Blowdown			8		Pig Signal	1
4		Drain						
5		Vent						



Made in Europe

Rhino is registered trademark of Ergil Group

M.Nezih Ozmen Mah.Fatih Cad.Kayikci Sk.No.8 K:2 Merter-ISTANBUL -TURKEY

Phone: +90 212 643 62 26 (Pbx) Fax: +90 212 643 62 22

www.pigreceiverlauncher.com . www.ergilgroup.com info@ergilgroup.com