

Flame Arrester with Pressure Vacuum Vent



Flame Arrester with Pressure Vacuum Vent – Model Number 330 & Model Number 100

Product Description

Storageteck Model Number 330-flame arrester with pressure vacuum vent is a safety device that has a flame barrier and a pressure vacuum vent on the top that controls the internal pressure. Flame arrester has a large number of defined passage gaps, whose gap cross section is set with regard to the properties of the flowing gas, is cooled effectively and secured against a flame flashback in the case of continuous combustion by the fact that second gaps having a smaller gap cross section are arranged adjacent to the first gaps having the selected gap cross section. They are typically mounted to a flange or pipe, which connects the vapor space of a storage tank or a pipeline.



Product Benefits

- StorageTech flame arrester Model 330 provides safety. It blocks the flame and does not allow flame travel through a pipeline or any in-out-let.
- Protects environment. Flame arrester prevents your facility against fire that is caused by explosions. Controls the internal pressure of a storage tank or a container.

Key Features:

- StorageTech PVV Model 300 internal materials are AISI 316 or 304 stainless steel
- Easy to clean internal materials.
- Easy to install. You do not need a special tool or experience to install the StorageTech flame arrester with pressure vacuum relief valve.
- StorageTech PVV Model 100 and model 300-flame arrester comes with the paint color you choose.
- Standard manufacturing comes with API 150 class flange; however other flange types are available on request.
- Also available with cap that is used to protect the flame arrester against dust and rain.



Storageteck is registered trademark of Ergil Group

Made in Europe

M.Nezih Ozmen Mah.Fatih Cad.Kayikci Sk.No.8 K:2 Merter-ISTANBUL -TURKEY

Phone: +90 212 643 62 26 (Pbx) Fax: +90 212 643 62 22

www.storageteck.biz , www.ergilgroup.com info@ergilgroup.com

Flame Arrester with Pressure Vacuum Vent



Manufacturing Materials:

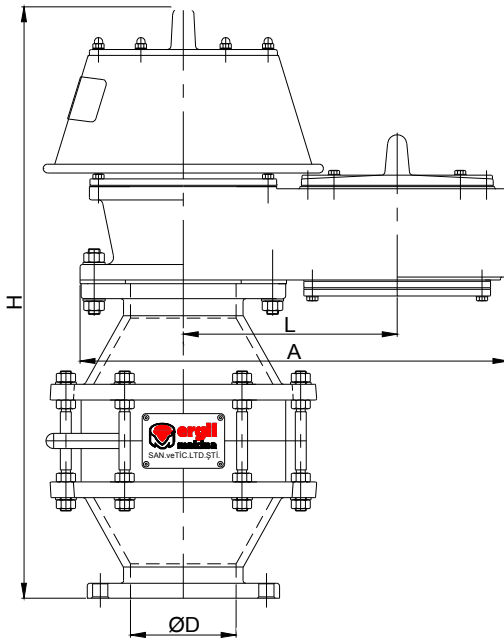
Flame Arrester - Model Number 300 :

Housing	Cell	Gas Group
Aluminum		
Carbon Steel	304 S.S.	IIB
304 SS	316 S.S.	
316 SS		

Pressure Vacuum Vent - Model Number 100 :

Hausing	Seat / Pallet	Pallet Seal	Hardware	Weights	Gaskets
Cast Aluminum				Carbon Steel	
Carbon Steel	Aluminum		304 S.S.	304 S.S.	Compressed Fiber
304 S.S.	304 S.S.	FEP Teflon	316 S.S.	316 S.S.	
316 S.S.	316 S.S.			Lead	

Dimensions and Weights:



Size (Inch)	Pressure		Vacuum	
	mmH2O	mbar	mmH2O	mbar
2"	35	3.42	25	0.48
3"	35	3.42	25	0.48
4"	35	3.42	25	0.48
6"	35	3.42	25	0.48
8"	35	3.42	25	0.48
10"	35	3.42	25	0.48
12"	35	3.42	25	0.48

*Pressure and Vacuum Values can be set in accordance with client requests



Storageteck is registered trademark of Ergil Group

Made in Europe

M.Nezih Ozmen Mah.Fatih Cad.Kayikci Sk.No.8 K:2 Merter-ISTANBUL -TURKEY

Phone: +90 212 643 62 26 (Pbx) Fax: +90 212 643 62 22

www.storageteck.biz , www.ergilgroup.com info@ergilgroup.com

Flame Arrester with Pressure Vacuum Vent



Flame Arrester with Pressure Vacuum Vent					
MODEL	ØD Nominal Conn. Size Inch (mm)	H Overall Length Inch (mm)	L CL I/V Inch (mm)	A Overall Length Inch (mm)	Approximate Weight Lb. (Kg)
F. A. 330& P. V. V. 100	2" (Ø52)	16-1/4 (413)	5-3/4 (146)	13-1/2 (343)	25.3 (11.4)
F. A. 300& P. V. V. 100	3" (Ø78)	19-1/4 (488)	7 (178)	16-7/16 (418)	43.5 (19.6)
F. A. 330& P. V. V. 100	4" (Ø110)	30 (760)	8-3/4 (221)	19 (483)	86.6 (39)
F. A. 330& P. V. V. 100	6" (Ø154)	32 (810)	10-3/4 (273)	25-1/16 (637)	127.7 (57.5)
F. A. 330& P. V. V. 100	8" (Ø203)	35-1/3 (898)	14 (356)	32-3/16 (818)	195.5 (88)
F. A. 330& P. V. V. 100	10" (Ø255)	40-1/2 (1029)	15-1/2 (394)	35-1/22 (900)	311.1 (140)
F. A. 330& P. V. V. 100	12" (Ø204)	46-1/4 (1175)	17-3/4 (451)	40-3/8 (1026)	517.7 (233)

Ordering:

Pressure Vacuum Vent - Model Number 100 :

100							
	Inlet Connection	Housing Material	Pallet & Seat Ring Material	Pallet Seal Material	Pressure Settings	Vacuum Settings	Options
	Size	1.Aluminum 2. 304 S.S. 3. 316 S.S. 4. Carbon Steel	1. 304 S.S. 2. 316 S.S. 3. Aluminium	1.FEP Teflon	n - mmH ₂ O z - mbar	n - mmH ₂ O z - mbar	O. No Options A. Special Coating B. S.S. Weights C. Optional Gasket Material D. Other

Flame Arrester - Model Number 300 :

	Series	Connection	NEC Gas Group	Housing Material	Cell Material	Connection Type	Options
Series 300	A. 2" B. 3" C. 4" D. 6" E. 8" F. 10" G. 12"	B	A. Aluminum B. Carbon Steel C. 304 S.S. D. 316 S.S.	1. 304 S.S. 2. 316 S.S.	F.Flat Faces Flange R.Raised Face Flange	1.Pressure Taps 2.Misc. Fittings 3.Protective Coatings 4.Special Features	



Storageteck is registered trademark of Ergil Group

Made in Europe

M.Nezih Ozmen Mah.Fatih Cad.Kayikci Sk.No.8 K:2 Merter-ISTANBUL -TURKEY

Phone: +90 212 643 62 26 (Pbx) Fax: +90 212 643 62 22

www.storageteck.biz , www.ergilgroup.com info@ergilgroup.com