

Emergency Pressure Vent



Emergency Pressure Vent Model Number 140:

Product Description

Storageteck Model Number 140 emergency pressure vent is a safety device that reduce evaporation of tank contents to atmosphere. When air pressure exceeds the preset setting, the pallets opens, depart the seal between the seal and pallet, and expels any excessive positive pressure. They are typically mounted to a flange or pipe, which connects the vapor space of a storage tank. Vents can be set to your specifications so that the pallet assemblies in the housings open when specific pressure level are reached. This model does not provide vacuum relief.



Product Benefits

1. StorageTech Model 140 prevents evaporation losses.
2. Protect s environment .PV prevents green house gasses from mixing the atmosphere, and minimizes the product odors around the surrounding area.
3. PV provide safety for your storage facility. PV protects your storage tank from explosions that is caused by sudden pressure change.

Key Features:

1. StorageTech Model 140 pressure emergency vent has 316 stainless steel pallets, which has longer life duration as oppose to aluminium pallet, as a standard.
2. Model 140 provides teflon pallet seal for a longer service period, and reduce the spare cost.
3. Easy to install. You do not need a special tool or experience to install the Model 140.
4. Model 140 comes with the paint color you choose.



Storageteck is registered trademark of Ergil Group

Made in Europe

M.Nezihi Ozmen Mah.Fatih Cad.Kayikci Sk.No.8 K:2 Merter-ISTANBUL -TURKEY

Phone: +90 212 643 62 26 (Pbx) Fax: +90 212 643 62 22

www.ergil-storageteck.com

, www.ergilgroup.com info@ergilgroup.com

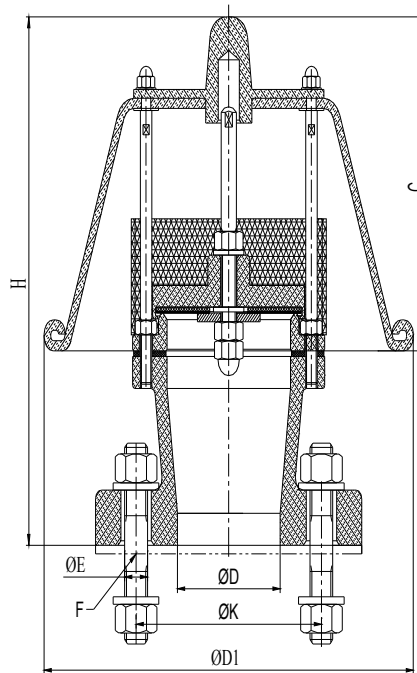
Emergency Pressure Vent



Manufacturing Materials:

BASE FLANGE / SEAT	HOOD	PALLET
Aluminum 316 S.S. 304 S.S. Carbon Steel	Aluminum	Aluminum 316 S.S. 304 S.S.

Dimensions and Weight:



MODEL	D Nominal Conn. In. (mm)	H Height In. (mm)	D1 Outside Diameter In. (mm)	C Overall Height In. (mm)	E DIAMETER In. (mm)	F Of Holes	K DIAMETER In. (mm)	Aluminum Unit Weight Lb (kg)
140	2 (53)	7-1/6" (182)	6-1/10" (155)	4-1/2" (115)	3/4" (19)	4	4-13/17" (121)	
140	3" (78)	8-1/7" (207)	7-2/3" (195)	5" (127)	3/4" (19)	4	6-1/42" (153)	
140	4" (130)	13-5/19" (337)	11-1/3" (288)	8" (205,5)	3/4" (19)	8	7-1/2" (190)	
140	6" (154)	12-4/11" (314)	15" (380)	11-2/11" (284)	9/10" (23)	8	9-1/2" (242)	
140	8" (203)	16-8/13" (422)	18-1/9" (460)	9-13/19" (246)	9/10" (23)	8	11-3/4" (298)	



Storageteck is registered trademark of Ergil Group

Made in Europe

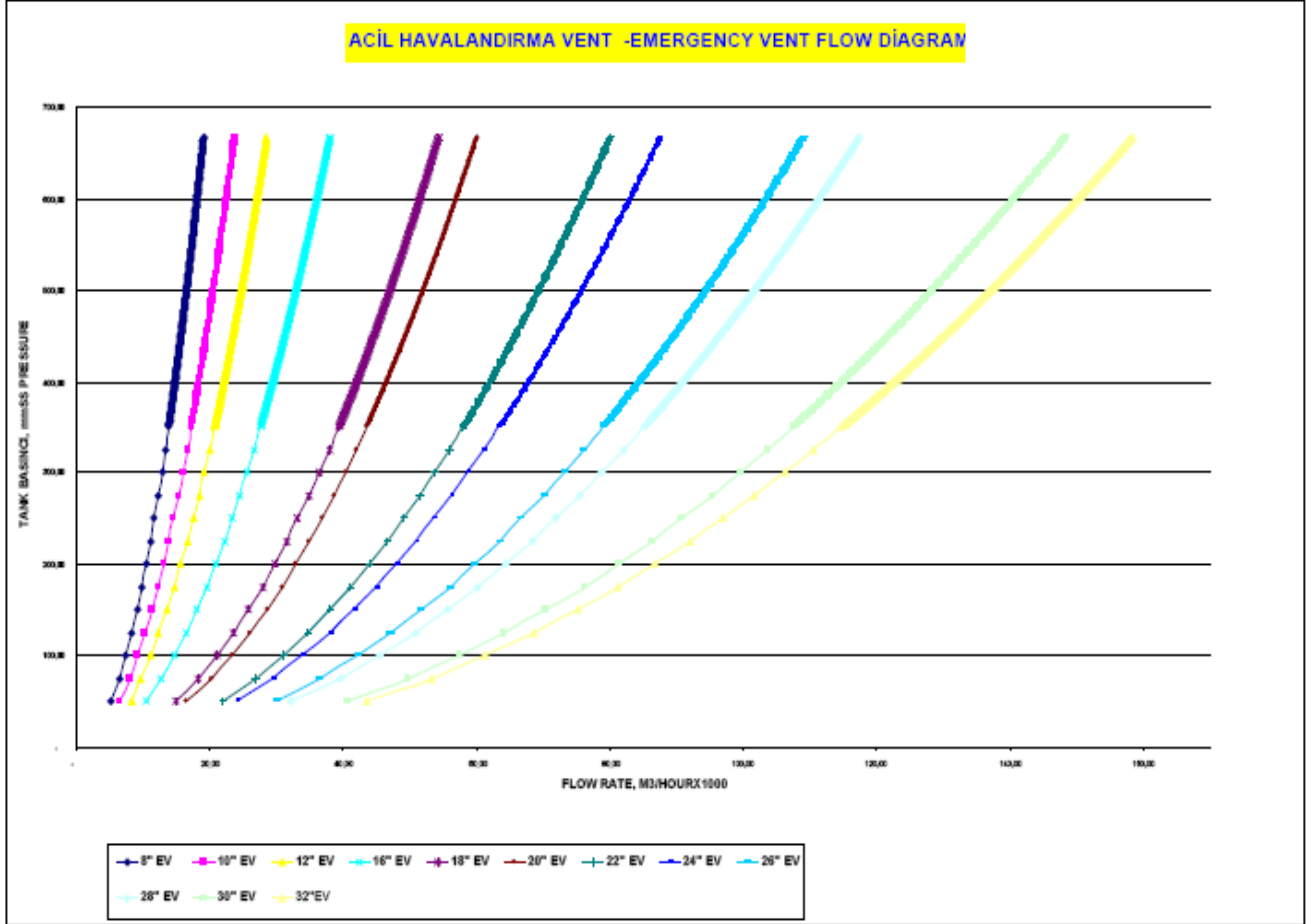
M. Nezihi Ozmen Mah. Fatih Cad. Kayikci Sk. No. 8 K:2 Merter-ISTANBUL -TURKEY

Phone: +90 212 643 62 26 (Pbx) Fax: +90 212 643 62 22

www.ergil-storageteck.com

www.ergilgroup.com info@ergilgroup.com

Emergency Pressure Vent



Ordering:



Storageteck is registered trademark of Ergil Group

Made in Europe

M. Nezihi Ozmen Mah. Fatih Cad. Kayikci Sk. No. 8 K:2 Merter-ISTANBUL -TURKEY

Phone: +90 212 643 62 26 (Pbx) Fax: +90 212 643 62 22

www.ergil-storageteck.com

, www.ergilgroup.com info@ergilgroup.com