

Emergency Vacuum Vent



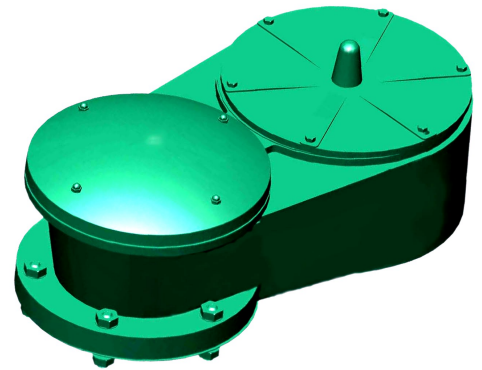
Emergency Vacuum Vent Product Description

Vacuum breathing requirements of some petroleum products may vary so much from pressure breathing, that it is sometimes desirable and more economical to have separate vents to perform these respective functions.

A minimum number of model options are required to cover the wide variety of fluids and temperatures encountered in the petroleum, chemical and general process industries. Many trims, body materials and settings are Standard options for those few conditions where Standard construction is unsuited.

Standard materials of construction include low copper aluminum, steel, stainless steel or cast iron body. Metal seats are provided to withstand high pressures to which the vent may be subjected.

The body is self-draining and drip rings keep condensates from the seating surfaces. The Teflon diaphragm of the pallet has high resistance to adhesion by ice and gum formation, thus preventing sticking to the seat ring.



Product Features & Benefits

- Less need for special materials in corrosive and extreme temperature
- Unique floating diaphragm construction assures tight seal
- Peripheral and stem guided vacuum pallet assures reliable operation
- Pallet contributes to high flow
- Heavy duty construction, yet compact enough for easy handling



Storageteck is registered trademark of Ergil Group

Made in Europe

M.Nezih Ozmen Mah.Fatih Cad.Kayikci Sk.No.8 K:2 Merter-ISTANBUL -TURKEY

Phone: +90 212 643 62 26 (Pbx) Fax: +90 212 643 62 22

www.storageteck.biz , www.ergilgroup.com info@ergilgroup.com

Emergency Vacuum Vent



Standard Materials Of Construction:

Service	Body	Vacuum Cover	Seat	Pallets	Stem Guides	Screen
Norm. Alum. Severe Iron Severe Steel Severe 316 SS	Cast alum. Cast Iron Cast Steel Cast 316 SS	Cast alum. Cast Iron Cast Steel Cast 316 SS	Al. 316 SS	Al. 316 SS	Galv. Iron 316 SS	Galv. Steel 304 SS 316 SS

Service	Pallet Stem	Diaph.	Spacer	Cover Gaskets	Side Guides	Hardware
Norm. Alum. Severe Iron Severe Steel Severe 316 SS	Al. 316 SS	Teflon	N - 8090	"N" O-Ring	316 SS	St. Zinc Plated

Max Std Vacuum Setting (oz / sq. in)

SIZE	LEAD WEIGHTS	S.S. WEIGHTS
2"	7.5 oz	6.0 oz
3"	9 oz	7.5 oz
4"	10.5 oz	7.5 oz
6"	12 oz	7.5 oz
8"	13.5 oz	9 oz
10"	16.5 oz	12 oz
12"	21 oz	15 oz



Storageteck is registered trademark of Ergil Group

Made in Europe

M.Nezih Ozmen Mah.Fatih Cad.Kayikci Sk.No.8 K:2 Merter-ISTANBUL -TURKEY

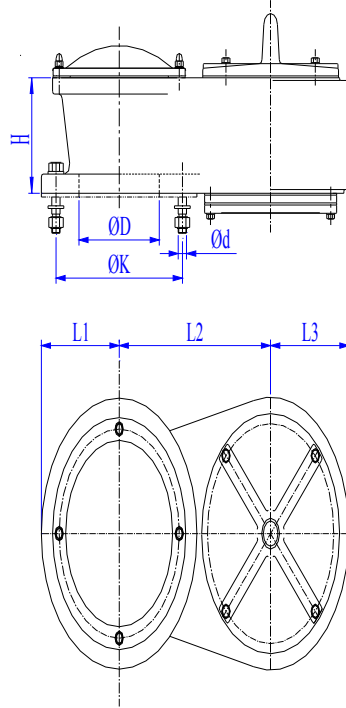
Phone: +90 212 643 62 26 (Pbx) Fax: +90 212 643 62 22

www.storageteck.biz , www.ergilgroup.com info@ergilgroup.com

Emergency Vacuum Vent



Dimensions and Weight:



Size	ØD mm	ØK mm	Ød	Quantity	H mm	L1 mm	L2 mm	L3 mm
2"	52	120.6	M16	3+1*	65	51.5	130	61
3"	78	152.5	M16	3+1*	78	79	166.5	82.5
4"	102	190.5	M16	6+2*	125	115	225	112.5
6"	154	241.3	M20	5+3*	127	149	290	140
8"	203	298	M20	5+3*	167	173.5	382	197.5
10"	255	362	M20	7+5*	225	205	440	223
12"	305	431.8	M20	7+5*	255	241	500	255

Pointed Holes Are With Screws And The Other Are Normal.

Ordering:

- According to the customer order.



Made in Europe

Storageteck is registered trademark of Ergil Group

M.Nezih Ozmen Mah.Fatih Cad.Kayikci Sk.No.8 K:2 Merter-ISTANBUL -TURKEY

Phone: +90 212 643 62 26 (Pbx) Fax: +90 212 643 62 22

www.storageteck.biz , www.ergilgroup.com info@ergilgroup.com