

Sanitary grade **CP series** cartridge housing

The CP series cartridge housings are integrally manufactured using AISI 316L to meet the demands of critical applications particularly in the pharmaceutical, microelectronics and the food and beverage industries.

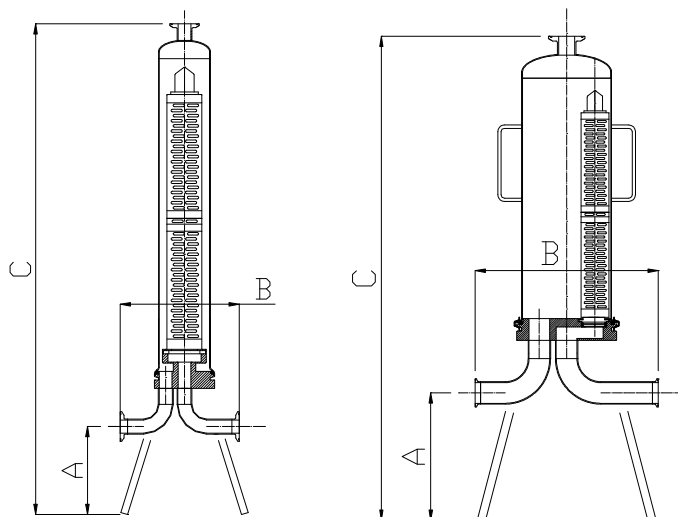
The head is fitted with Vee clamps or Rathman style clamps to ensure a maximum easy-to-use closure.

The CP series internal volume is optimised to ensure maximum flow with minimum void volume; the internal surfaces are resistant to bacterial accumulation and can be easily in-situ steam sterilised.

The CP series housings are suitable to take up cartridges with double O-ring and M7 bayonet style sealing.

CHARACTERISTICS

- Meets the 97/23/CE PED Directive requirements
- Construction is stamped with CE mark or SEP (Sound Engineering Practices)
- Suitable for hazardous liquid and gases, Gr. 1 & Gr. 2
- 100% AISI 316 stainless steel construction
- Totally mechanically polished
- Inlet/outlet bottom connection
- Bottom outlet connection
- O-ring head/body seal
- Suitable to hold 1 to 30 cartridges stack up to 40" long



DIMENSIONAL DATA

SERIES	CARTRIGE	DIMENSIONS [mm]						VOLUME Litries	CONNECTIONS		
		A	B	C					In/out	Vent	Drain
				10"	20"	30"	40"				
CPV01	1	381	189	800	1050	1300	1550	3,0 ÷ 8,6	1" TC	1½" TC	-
CPV03	3	340	310	810	1060	1310	1560	7,3 ÷ 23,1	1½" TC	1½" TC	1½" TC
CPV05	5	340	379	825	1075	1325	1575	11,0 ÷ 38,2	2" TC	1½" TC	1½" TC
CPV08	8	253	684	-	1096	1346	1596	35,5 ÷ 63,9	3" TC	1½" TC	1½" TC
CPM12	12	298	707	-	-	1430	1680	88 ÷ 112	3" TC	1½" TC	1½" TC
CPM12	12	295	735	-	-	1430	1680	88 ÷ 112	4" TC	1½" TC	1½" TC
CPM18	18	292	752	-	-	1450	1700	115 ÷ 146	4" TC	1½" TC	1½" TC
CPM24	24	292	766	-	-	1475	1725	151 ÷ 190	4" TC	1½" TC	1½" TC
CPM30	30	292	802	-	-	1500	1750	38,0	4" TC	1½" TC	1½" TC

Sanitary grade **CP series** cartridge housing

PRODUCT SPECIFICATION

MA																		
SERIES	CPV01				CPV03				CPV05				CPV08			CPM12		
T = 40 °C	10"	20"	30"	40"	10"	20"	30"	40"	10"	20"	30"	40"	20"	30"	40"	30"	40"	
NON HAZARDOUS LIQUIDS	10,0 bar				10,0 bar				10,0 bar				10,0 bar			9,0 bar		
HAZARDOUS LIQUIDS	10,0 bar				10,0 bar				10,0 bar				10,0 bar			9,0 bar		
NON HAZARDOUS GAS	10,0 bar				10,0 bar				8,6 bar	10,0 bar	9,9 bar	6,8 bar	5,2 bar	5,6 bar	4,0 bar	3,1 bar	2,2 bar	1,7 bar
HAZARDOUS GAS	10,0 bar	7,4 bar	5,8 bar	6,8 bar	3,9 bar	2,8 bar	2,1 bar	4,5 bar	2,4 bar	1,7 bar	1,3 bar	1,4 bar	1,0 bar	-	-	-	-	

For applications above 40 °C temperature and for CPM18, CPM24 and CPM30 series, please contact ASCO Filtri to verify the maximum allowable pressure for each housing.

The use of a filter at safe pressures and temperatures depends from the filter element and seal installed, related to the processed fluids. In case of doubts, please contact ASCO Filtri to verify the chemical compatibility.

Design code and certifications

Design: AD Merkblatt Certifications: Directive 97/23/CE PED

Max. operating temperature.

The max. operating temperature is related to the material of the o-ring gasket installed:

Silicone (standard) 230 °C EPDM 120 °C

Viton 230 °C PTFE 230 °C

Construction materials

Body: AISI 316L

Vee clamps or Rathman clamps AISI 316

Finishing

Internally: mechanically polished

Externally: mechanically polished Ra < 0.8µm (0.4µm optional)

Optional accessories

F 100 manometer with sanitary vent valve or ball valve and sight glass

In/out valves, vent, ball or butterfly type drainage with TriClover or threaded connections

ORDERING INFORMATION

CP	V	01	4	S	A	01	M	-	F12
	CLOSURE TYPE	CARTRIDGES		BODY MATERIAL	IN/OUT CONNECTIONS				OPZIONS
		Q.TY	HEIGHT						
M	Rathmann	01	1 10"	S 316L SS	A In linea	01 1"	C TriClover		See table
V	V-Clamp standard	03	3 20"			1H 1½"	D DIN 11851		
		05	5 3 40"			02 2"	F Flanged		
		08	8 4 40"			2H 2½"	S B.W.		
		12	12			03 3"			
		18	18			04 4"			
		24	24			...			
		30	30						



ASCO Filtri S.r.l.

20089 ROZZANO (MI) – ITALY

Via Silvio Pellico, 6/8

Phone (+39) 02 89257.1

Fax (+39) 02 89257.201

e-mail asco@ascofiltri.com

Web site www.ascofiltri.com