

Xmitr™ Transmitter Gauge Sanitary Type X1032 2.5", 3.5"

PATENTED



LOOK FOR THIS MARK
ON OUR PRODUCTS



- A transducer and gauge in one instrument (2 in 1)
- A 1% performance sanitary transducer
- Electro polished 316L st. st. media compatibility
- Clean-in-place (CIP)
Steam-in-place (SIP)
- Meets 3A sanitary standard & robust CE heavy industrial
- Voltage and 4-20mA outputs
- Ranges compound to 1000 psi
- Vibration dampening PLUS!
Performance™
- Save time, money, space

The Breakthrough

The Ashcroft® Xmitr™ combines our trusted pressure gauge with patented transducer technology for a product of exceptional value and functionality.

In applications where both a gauge and transducer are currently being used the Xmitr™ provides the user with money, space and time savings. It eliminates one instrument and the associated piping, fitting, installation and maintenance costs. In addition, there are fewer leak paths and less dead-leg in your process.

For applications where a transducer only is used the Xmitr™ is a cost effective alternative to traditional products and provides analog local indication for startup, emergencies and maintenance situations.

Gauge-only applications are enhanced with a value added transmitter for control systems.

Other Features

The X1032 sanitary Xmitr™ can be cleaned or steamed in place (CIP, SIP). The Xmitr™ has been designed specifically to meet the needs of the sanitary marketplace. They are available dry or hermetically sealed to allow for washdowns and now with the PLUS!™ Performance option.

TRANSMITTER SPECIFICATIONS

Output (Supply):

4-20mA 2 wire (12 to 30 Vdc Supply)
1-5 Vdc 3 wire Regulated (10 to 24 Vdc Supply)
0.5-4.5 Vdc 3 wire Ratio-metric (5 Vdc ±5% Supply)

Ranges: 15 to 1000 psi (see table 3)

Performance:⁽¹⁾

±1% FSO from best fit straight line (includes non-linearity, hysteresis, and non-repeatability)

Temperature:

Process Media -40 to 302°F (-20 to 150°C)
Ambient (5) -4 to 122°F (-20 to 50°C)
Storage -40 to 221°F (-40 to 105°C)
Thermal Effect 1.4% per 100°F (3% per 100°C)
For <=30psi F.S., add .013 psi/C from 20°C.

CE Conformity:

Meets CE heavy industrial Per EN 61326: 1998 Annex A

Enclosure:

Electro-polished SS case IP50 (std), IP65 (XLJ)⁽²⁾

Media: Liquid, gas or vapor

Wetted Materials:

Electro-polished 316L SS (12-20 RA finish)

Electrical Protection:

Reverse polarity 75 Vdc, Over-voltage 60 Vdc continuous, and short-circuit protection.⁽³⁾

Shock: 100g-force per IEC770.

Vibration: 5g's 50 to 2000Hz.

Humidity: 95% non-condensing

Proof Pressure:

0 to 600 psi = 125% of full scale 1,000 psi = 110%

Burst Pressure: 0 to 1000 psi = 10x burst

Response Time: Less than 10 ms (electronics)

Wake-up Time: 1 ms

Insulation: 1 meg ohm at 200 Vdc

Electrical Connection: See table 2

Process Connection: Lower, Tri-Clamp®, 1½" and 2"

GAUGE SPECIFICATIONS

Dial Size: 2½", 3½"

Dial: White with black markings including 3A insignia

Agency Compliance: 3A compliance to standard 74-02 titled - "3A Sanitary Standard for Liquid Pressure and Level Sensing Devices"

System Filling: Pharmaceutical/food quality USP grade glycerin (99.5% pure). Optional: food grade silicone.

Gauge Accuracy:

1.5% full-scale on ranges 100psi and above.

2% full-scale on ranges below 100psi.

Window: Polycarbonate

Gauge Movement: Patented PowerFlex™ movement

OPTIONS (Table 1)

IP65 (LJ): Provides hard case plug for IP65/NEMA4 weather protection (not liquid fillable).

(LL): Patented PLUS!™ Performance provides vibration dampening in a dry case.

(SG): Safety Glass

(NM): Neobee M-20 system fill

(CZ): Food grade silicone system fill

(MQ): Positive Material Identification (PMI)

(C4): Individual calibration chart for mechanical and electrical.

Xmitr™ Transmitter Gauge Sanitary Type X1032 2.5", 3.5"

ELECTRICAL CONNECTORS (Table 2)

Shielded Cable	CODE
2' shielded cable.....	FL
Mini-Hirschmann G Series	
No Mating Connection	HM
With Mate (with 1 meter cable)	M2
With Mate (no cable)	M1
With Mate (with 3 meter cable)	M3
Mini-DIN 43640 Form C	
No Mating Connection	NW
With Mate (1 meter cable)	N2
With Mate (no cable)	N1
M12, 4-Pin Threaded	
No Mating Connection	EW
With Mate (1 meter cable)	E2
With Mate (no cable)	E0

PRESSURE RANGES (Table 3)

psi	kg/cm ² (4)	bar (4)	kPa (4)	mPa (4)
0/15	1	1	100	0.1
0/30	1.6	1.6	160	0.2
0/60	2.5	2.5	250	0.3
0/100	4	4	400	0.4
0/160	6	6	600	0.6
0/200	10	10	1,000	1
0/300	16	16	1,600	1.6
0/400	25	25	2,500	2.5
0/600	40	40	4,000	4
0/1000	60	60	6,000	6

COMPOUND RANGES

30IMV&15	-1, .6	-1, .6	-100, 60	-1, .1
30IMV&30	-1, 1.5	-1, 1.5	-100, 150	-1, .2
30IMV&60	-1, 3	-1, 3	-100, 300	-1, .3
30IMV&100	-1, 5	-1, 5	-100, 500	-1, .5
30IMV&150	-1, 9	-1, 9	-100, 900	-1, .9
30IMV&300	-1, 24	-1, 24	-100, 2400	-1, 2.4

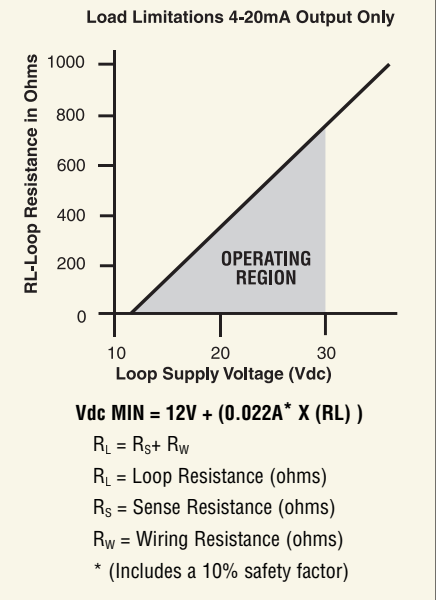
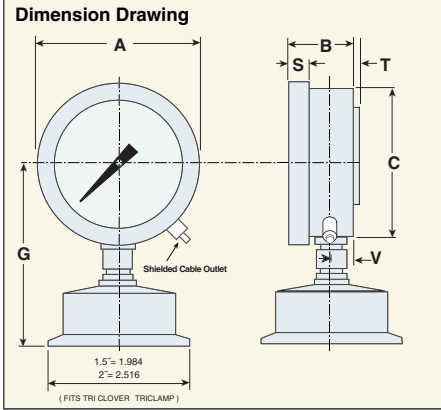
- 1% BFSL from 10% to 90% full scale, 1.5% from 0% to 10% and 90% to 100% full scale.
- Not Liquid Fillable
- For ratio-metric output, reverse polarity 20 Vdc and over-voltage of 25 Vdc continuous.
- 10 piece minimum per line item.
- Unit is compensated over specified process ambient temp. range. Unit will also be compensated at ambient temp. up to 185°F or 85°C if process temp. does not exceed ambient temp.

Table 4

Output	Code	Wiring
4-20 mA	4	Red = Supply + Black = Supply -
1-5 Vdc	1	Red = Supply + Black = Supply - (Signal Ref.)
5-4.5 Vdc Ratiometric	R	White = Signal

Table 5

Dial Size	Code	Type
2.5"	25	1032
3.5"	35	1032



Dial Size Inches (mm)	A	B	C	G	S	T	V
2.5"	2.88 (73)	1.19 (30)	2.64 (67)	3.21 (82)	0.35 (9)	0.19 (5)	0.44 (11)
3.5"	3.97 (101)	1.28 (33)	3.59 (91)	3.66 (91)	0.46 (12)	0.19 (5)	0.44 (11)

HOW TO ORDER

- Dial Size 2.5" 25
- Patented Xmitr Transmitter Gauge X
- Case Number: 1032 (Table 5) 1032
- Socket Material: 316L SS SD
- Connection Tri-Clamp: 1½" (15L), 2" (20L) 15L
- Output: 4-20mA output (Table 4) 4
- Connector: 2' Shielded Cable (Table 2) FL
- Select Option(s): IP65 (Table 1) X(LJ)
- Range: 100 psi (Table 3) 100 psi