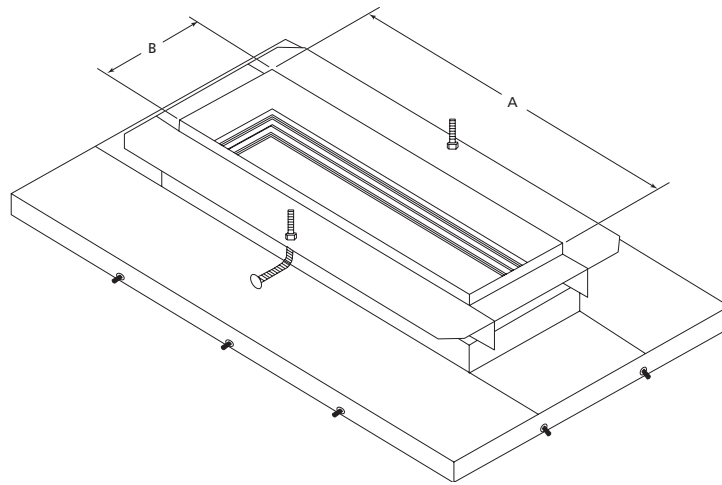


Large Mouth Polyethylene Dispenser Sumps



LMT Sump Top List

MODEL	"A" OPENING SIZE	"B" OPENING SIZE	SBK #	LARGE MOUTH SUMP BASE (LBx) SIZE
LMT-1410	13.50"	9.75"	SBK-2	2400
LMT-1710	17.00"	10.38"	SBK-2	2400
LMT-1913-T	19.00"	12.00"	SBK-25	2400
LMT-2010	20.50"	10.00"	SBK-2	2400
LMT-2018	20.81"	18.31"	SBK-3	2400
LMT-2212	22.50"	11.25"	SBK-25	3600
LMT-2212-24	23.50"	11.25"	SBK-25	2400
LMT-2313-T	23.00"	12.00"	SBK-25	3600
LMT-2407	23.75"	7.50"	SBK-1	3600
LMT-2409	23.75"	9.00"	SBK-2	3600
LMT-2518	24.75"	17.75"	SBK-3	3600
LMT-2715	27.00"	15.00"	SBK-3	3600
LMT-2811	28.50"	11.00"	SBK-25	3600
LMT-2913	29.75"	13.25"	SBK-25	3600
LMT-2915	29.75"	15.75"	SBK-3	3600
LMT-3109	31.00"	9.50"	SBK-2	3600
LMT-3610	36.00"	10.25"	SBK-2	4800
LMT-3617	36.00"	17.25"	SBK-3	3600
LMT-3914	38.75"	14.00"	SBK-25	4800
LMT-4018	39.75"	17.75"	SBK-3	4800
LMT-4109	41.50"	9.38"	SBK-2	4800
LMT-4111	41.50"	11.00"	SBK-25	4800
LMT-4113	41.50"	13.25"	SBK-25	4800
LMT-4115	41.50"	15.75"	SBK-3	4800

Does not include base and/or stabilizer bar kit