



Flexible Entry Boots

APT flexible entry boots are a two-piece boot that doubles the sealing power of your entry boot. Stainless steel studs and corrosion resistant nuts and washer plates make for the highest quality entry boot. APT offers a complete line of sizes for 1/2" thru 4" single and secondary containment pipe. The 1 1/2" thru 2 1/2" sizes are also available in a ducted boot version to accommodate the use of APT's DCT-400 corrugated ducting for easy retractability.



Design Highlights & Advantages

- Designed to be used with APT product piping, the entry boots are also ideal for use with rigid piping and electrical conduits.
- Flexible entry boots available in sizes from 1/2" through 4".
- Ducted entry boots available in sizes from 1 1/2" through 2 1/2". APT offers these ducted entry boots in an air testable version for easy testing of the 4" corrugated ducting.
- Boot size designations correspond directly to the pipe size being used.
- Any boot for a single wall pipe can be converted to a boot for a double wall pipe by simply removing the insert in the pipe opening.
- Entry boot can be serviced from inside the sump eliminating the need for sump excavation.
- Made from oil and gasoline resistant nitrile rubber.
- Will work on round sumps of 36" or larger diameter.

MODEL	DESCRIPTION
FEB-050-D	Flexible Entry Boot for 1/2" electrical conduit
FEB-050-SC	Flexible Entry Boot for 3/4" electrical conduit
FEB-075-D	Flexible Entry Boot for 3/4" and 1" electrical conduit
FEB-075-SC	Flexible Entry Boot for 1" electrical conduit
FEB-100-D	Flexible Entry Boot for XP-100-D
FEB-100-SC	Flexible Entry Boot for XP-100-SC
FEB-150-D	Flexible Entry Boot for XP-150-D
FEB-150-SC	Flexible Entry Boot for XP-150-SC
FEB-175-D	Flexible Entry Boot for XP-175-D
FEB-175-SC	Flexible Entry Boot for XP-175-SC and 2" Single Wall Fiberglass
FEB-200-D	Flexible Entry Boot for XP-200-D
FEB-200-SC	Flexible Entry Boot for XP-200-SC
FEB-250-SC	Flexible Entry Boot for XP-250-SC
FEB-300-R	Flexible Entry Boot for R-300-D and 3" Single Wall Fiberglass
FEB-400-R	Flexible Entry Boot for R-400-D and 4" Single Wall Fiberglass
FEB-400-F	Flexible Entry Boot for 4" Double Wall Pipe

MODEL	DESCRIPTION (DUCTED)
DEB-250-SC	Ducted Entry Boot for P-250-SC

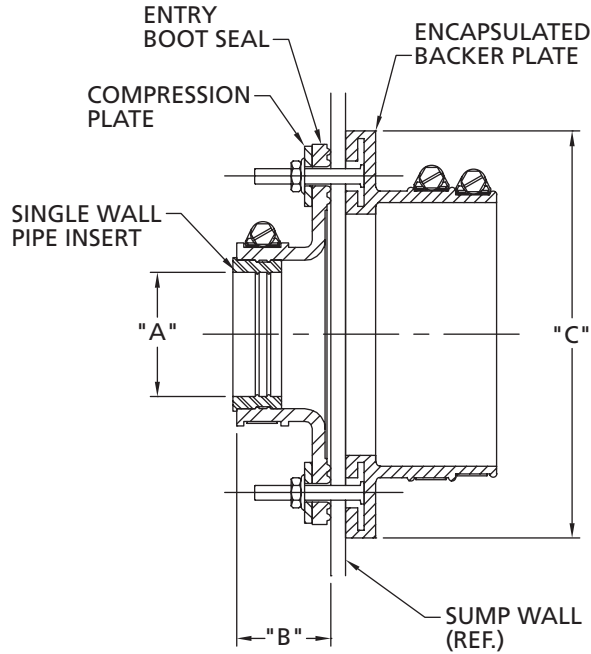
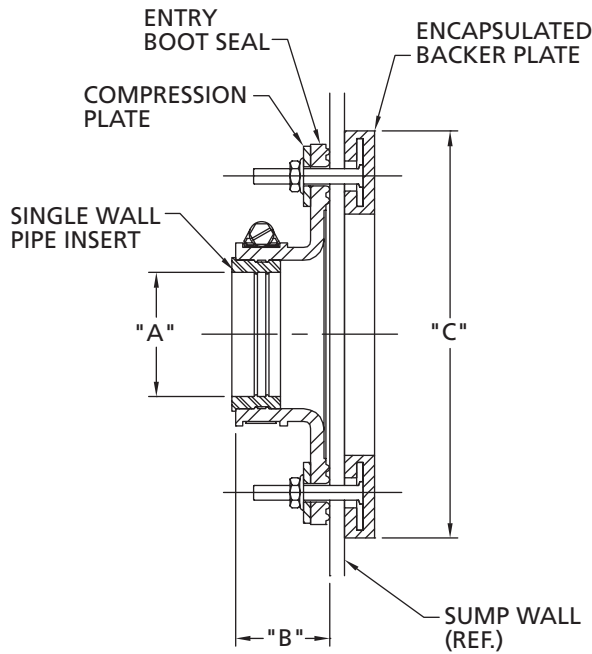
MODEL	DESCRIPTION (AIR TESTABLE)
DEB-150-DA	Ducted Entry Boot for XP-150-D
DEB-150-SCA	Ducted Entry Boot for XP-150-SC
DEB-175-DA	Ducted Entry Boot for XP-175-D
DEB-175-SCA	Ducted Entry Boot for XP-175-SC
DEB-200-DA	Ducted Entry Boot for XP-200-D
DEB-252-DA	Ducted Entry Boot for XP-200-SC and P-250-D
DEB-250-SCA	Ducted Entry Boot for P-250-SC

MODEL	DESCRIPTION (DUCTED)
DEB-150-D	Ducted Entry Boot for XP-150-D
DEB-150-SC	Ducted Entry Boot for XP-150-SC
DEB-175-D	Ducted Entry Boot for XP-175-D
DEB-175-SC	Ducted Entry Boot for XP-175-SC
DEB-200-D	Ducted Entry Boot for XP-200-D
DEB-200-SC	Ducted Entry Boot for XP-200-SC





Flexible Entry Boots



Flexible Entry Boots

MODEL	DIM. "A"	DIM. "B"	DIM. "C"	MTG HOLE SIZE	MTG STUDS
FEB-050-D	0.84"	1.50"	4.75"	2"	4
FEB-050-SC	1.05"	1.50"	4.75"	2"	4
FEB-075-D	1.05"	1.50"	4.75"	2"	4
FEB-075-SC	1.32"	1.50"	4.75"	2"	4
FEB-100-D	1.32"	1.50"	4.75"	2"	4
FEB-100-SC	1.70"	1.50"	4.75"	2"	4
FEB-150-D	1.75"	1.50"	6.75"	3 1/2"	8
FEB-150-SC	2.00"	1.50"	6.75"	3 1/2"	8
FEB-175-D	2.00"	1.50"	6.75"	3 1/2"	8
FEB-175-SC	2.40"	1.50"	6.75"	3 1/2"	8
FEB-200-D	2.50"	1.50"	6.75"	3 1/2"	8
FEB-200-SC	2.88"	1.50"	6.75"	3 1/2"	8
FEB-250-SC	3.24"	1.50"	6.75"	3 1/2"	8
FEB-300-R	3.50"	1.50"	6.75"	3 1/2"	8
FEB-400-R	4.50"	1.50"	8.00"	5 1/2"	10
FEB-400-F	4.94"	1.50"	8.00"	5 1/2"	10

Ducted Entry Boots

MODEL	DIM. "A"	DIM. "B"	DIM. "C"	MTG HOLE SIZE	MTG STUDS
DEB-150-D	1.75"	1.50"	6.75"	3 1/2"	8
DEB-150-SC	2.00"	1.50"	6.75"	3 1/2"	8
DEB-175-D	2.00"	1.50"	6.75"	3 1/2"	8
DEB-175-SC	2.40"	1.50"	6.75"	3 1/2"	8
DEB-200-SC	2.88"	1.50"	6.75"	3 1/2"	8
DEB-250-D	3.00"	1.50"	6.75"	3 1/2"	10
DEB-250-SC	3.24"	1.50"	6.75"	3 1/2"	10

Air Testable

MODEL	DIM. "A"	DIM. "B"	DIM. "C"	MTG HOLE SIZE	MTG STUDS
DEB-150-DA	1.75"	1.50"	6.75"	3 1/2"	8
DEB-150-SCA	2.00"	1.50"	6.75"	3 1/2"	8
DEB-175-DA	2.00"	1.50"	6.75"	3 1/2"	8
DEB-175-SCA	2.40"	1.50"	6.75"	3 1/2"	8
DEB-200-DA	2.50"	1.50"	8.00"	5 1/2"	10
DEB-252-DA	3.00"	1.50"	8.00"	5 1/2"	10
DEB-250-SCA	3.24"	1.50"	8.00"	5 1/2"	10