



Product Description

Rhino Process Equipment provides pig signals / indicators for pipeline industry for the extreme conditions. Rhino pig indicator is a device that is used on a pipeline to show an indication to operator during the pipeline pigging. Rhino Pig Indicator is a economical solution that can be applied all kind of pigging systems.

Product Benefits

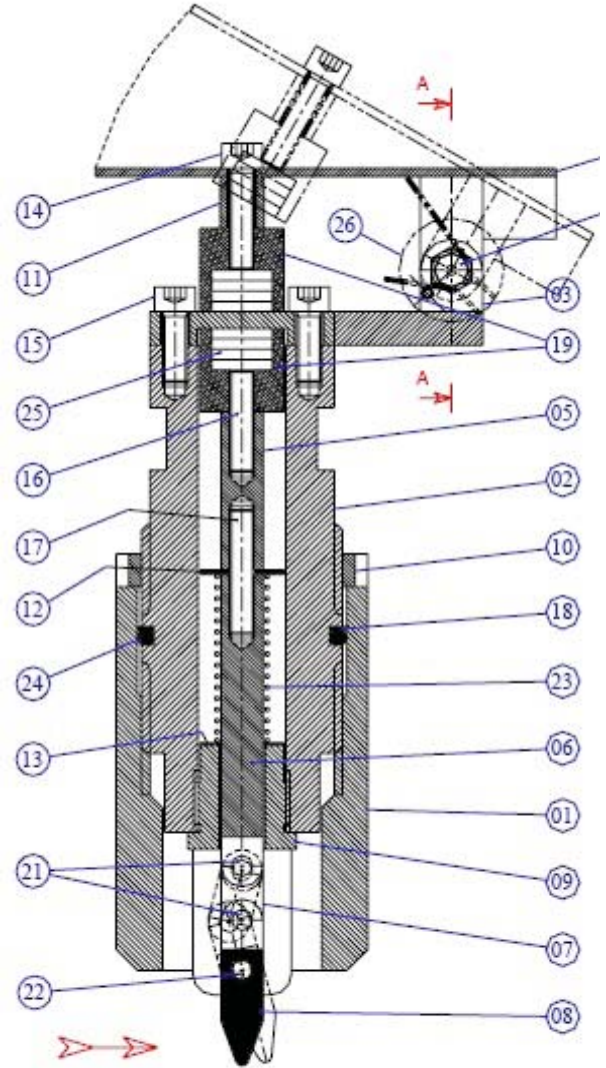
- Easy to use and install, can be applied all kind of pigging systems.
- You do not need a special tool or experience to install the pig indicator.
- Rhino™ pig indicator is made of corrosion resistant materials with long life duration.

Key Features

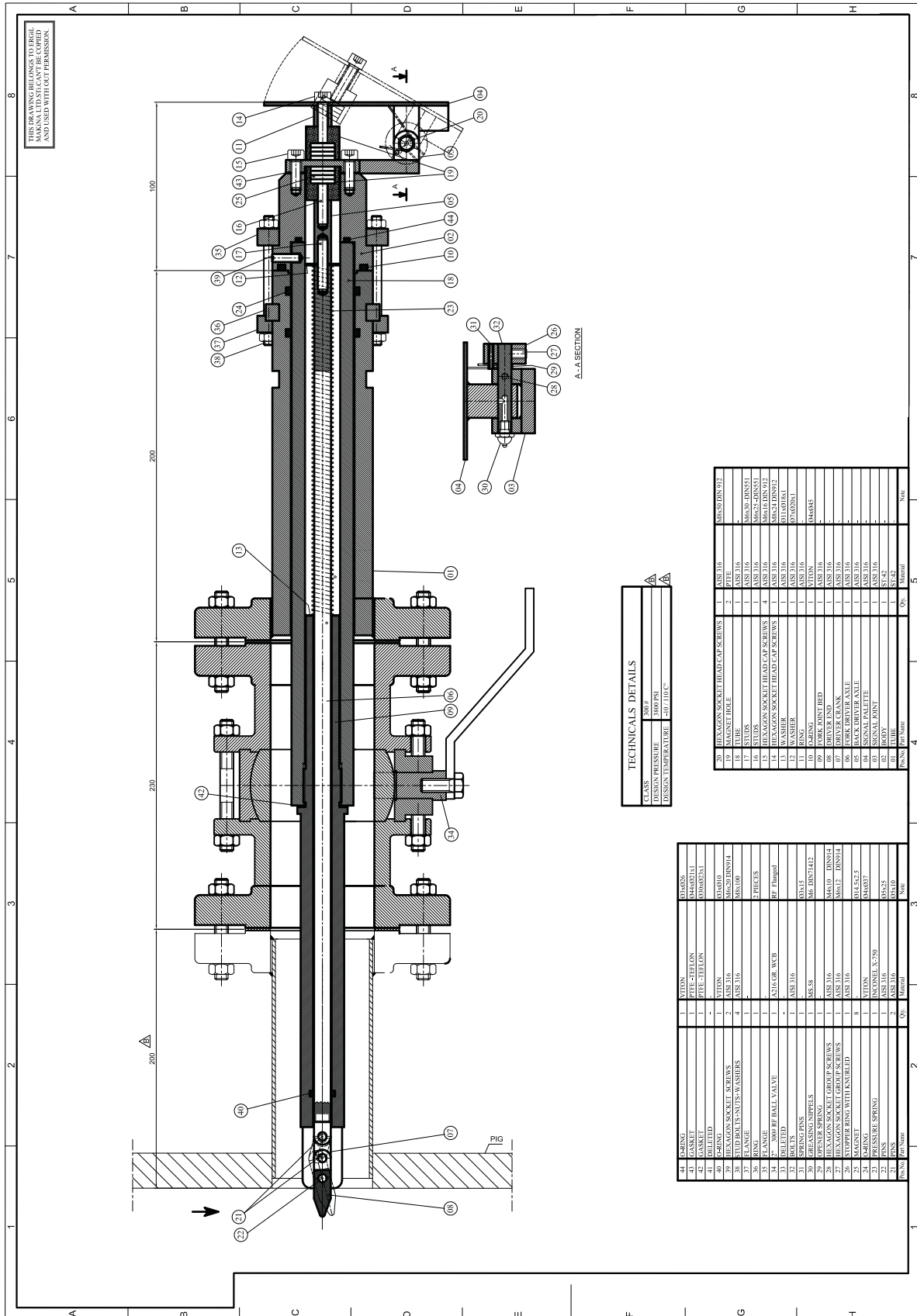
- Special materials and O-Ring seals are available on request.
- All pig indicators are specially painted.
- Pig indicators can be hydrostatically tested on request.
- Rhino™ offers spare parts for all of its products during maintenance.
- Internal inspection and test certificates will be provided for each item.

Dimension and Weights

Pos. No	Part Name	Quantity	Material
01	Tube	1	AISI 316 ~ 304
02	Body	1	ST42
03	Signal Joint	1	AISI 316 ~ 304
04	Signal Palette	1	AISI 316 ~ 304
05	Back Driver Axle	1	AISI 316 ~ 304
06	Fork Driver Axle	1	AISI 316 ~ 304
07	Driver Crank	1	AISI 316 ~ 304
08	Driver End	1	AISI 316 ~ 304
09	Fork Joint Bed	1	AISI 316 ~ 304
10	Safety Nut With Lock	1	AISI 316 ~ 304
11	Ring	1	AISI 316 ~ 304
12	Washer	1	AISI 316 ~ 304
13	Washer	1	AISI 316 ~ 304
14	Hexagon Socket Head Cap Screws	1	AISI 316 ~ 304
15	Hexagon Socket Head Cap Screws	4	AISI 316 ~ 304
16	Studs	1	AISI 316 ~ 304
17	Studs	1	AISI 316 ~ 304
18	Anti Extrusion Ring	1	PTFE
19	Magnet Hole	2	PTFE
20	Hexagon Socket Head Cap Screws	1	AISI 316 ~ 304
21	Pins	2	AISI 316 ~ 304
22	Pins	1	AISI 316 ~ 304
23	Pressure Spring	1	INCONEL X-750
24	O-Ring	1	VITON
25	Magnet	8	-
26	Stopper Ring With Knurlet	1	AISI 316 ~ 304
27	Hexagon Socket Head Cap Screws	1	AISI 316 ~ 304
28	Hexagon Socket Head Cap Screws	1	AISI 316 ~ 304
29	Opener Spring	1	-
30	Greasing Nipples	1	MS58
31	Spring Pins	-	-
32	Bolts	1	AISI 316 ~ 304



Technical details of underpressure pig signal



Dimension and Weights