

## SKID MOUNTED COMPLETE PIGGING SYSTEMS

### Product Description

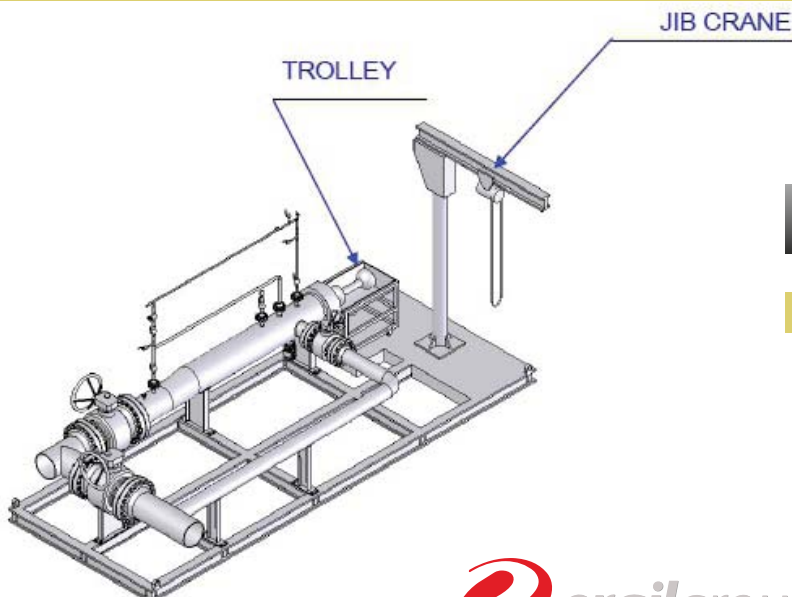
We, Rhino Process Equipment Team, know very well the importance of the pipeline pigging, and a good pigging system is a must for the operation of pipelines. The skid mounted complete pigging consists of all the elements, pig launcher or receiver, trolley, crane, and drain box, that you need for pipeline pigging. Rhino is capable of providing mobile or portable skid mounted pig launcher and receivers for pipelines of any size and pressure ratings. Rhino provides complete solutions for your pipeline related jobs, such as cleaning, drying, testing and displacement. Easy to use Rhino launchers and receivers can be used almost all kind of applications. Rhino pig launchers and pig receivers can be designed to accommodate scraper pigs, sphere pigs or "smart" pigs, or any combination of the three.

## Product Benefits & Key Features

- Easy to use and install.
- You do not need a special tool or experience to install the pig handling system.
- Rhino™ pig receiver and launcher is made of corrosion resistant materials with long life duration.
- Rhino™ offers spare parts for all of its products during maintenance.
- Rhino™ closures come with the two different choice of seals that is resistant to high pressure and prevent leakages.
- Designed to ASME B31.4 , ASME B31.8 and ASME Section VIII Div. 1 Codes
- All pig receiver and launcher comes with the appropriate Rhino™ pig indicator.
- All pig receiver and launcher comes with the appropriate Rhino™ closures.
- All pig receiver and launcher comes with the sand blasted and primer coated and color of your choice.
- All welds are 100% inspected and tested
- All pig receiver and launcher are hydrostatically tested.

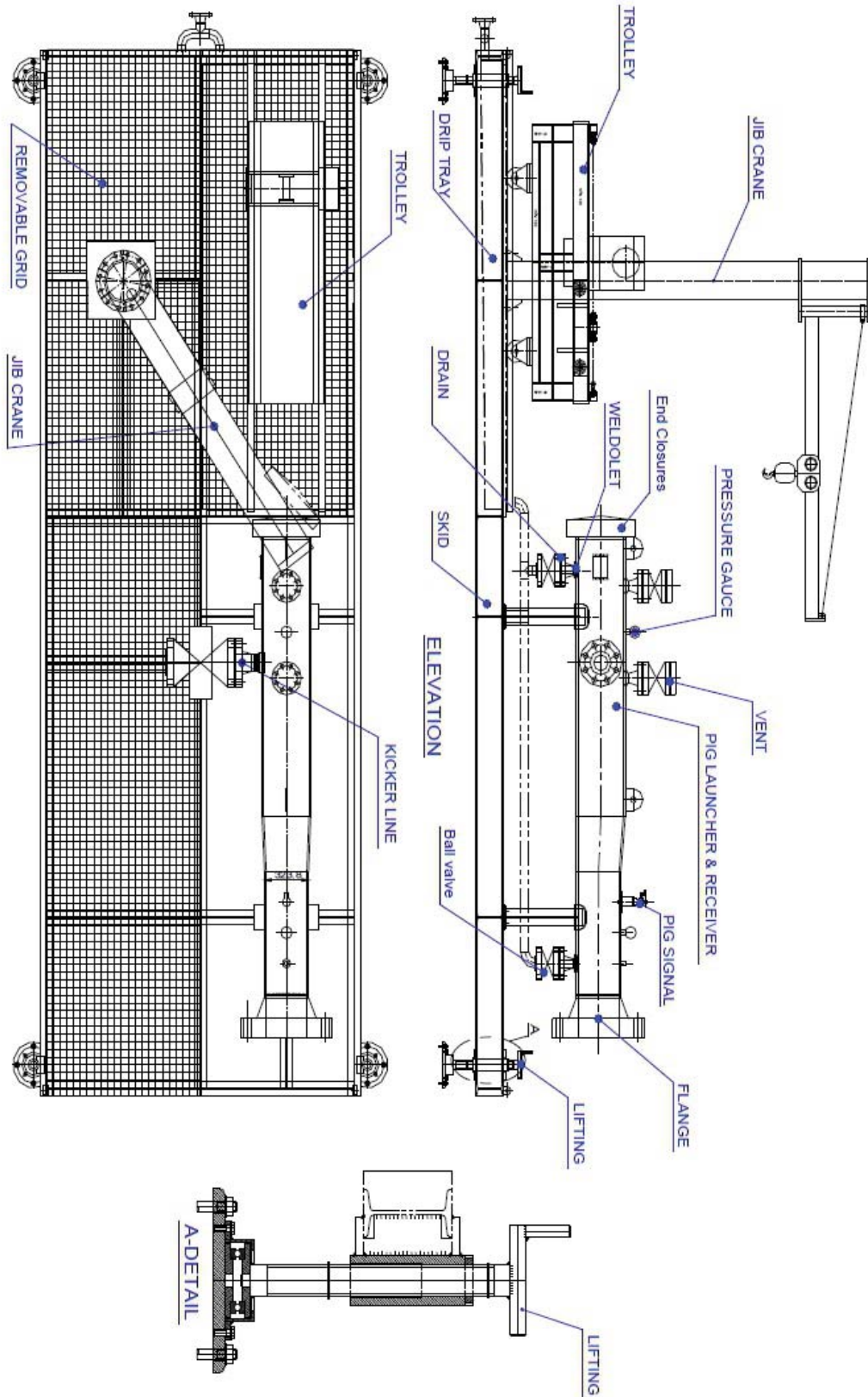
## Manufacturing Materials

Trunk	Flange	Closure	Pig Signal	Support	Seal
API 5L	ANSI B	P460NL1	Pig Signal	A516	PUR VITON
A105	16-5	A150	Assembly		
A181	A350-L2		(PTFE, API		
A182/A182 M-98			5L X52,		
(F1, F2, F5, F9, F11,			Bs970, SS,		
F12, F22, F304,			VITON,		
F304L, F316, F321,			INCONEL)		
F347, F348, F310)					
A350 (Lf1, Lf2, LF3)					



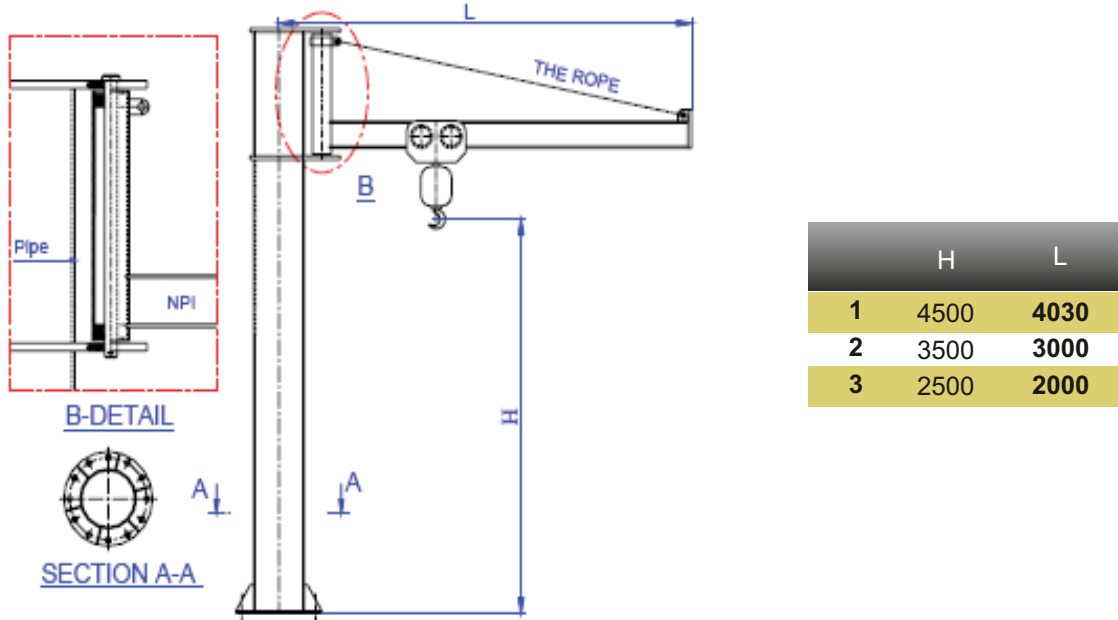
Trolley	Jib Crane
C.S	C.S
S.S	S.S

## COMPLETE PIGGING SYSTEM

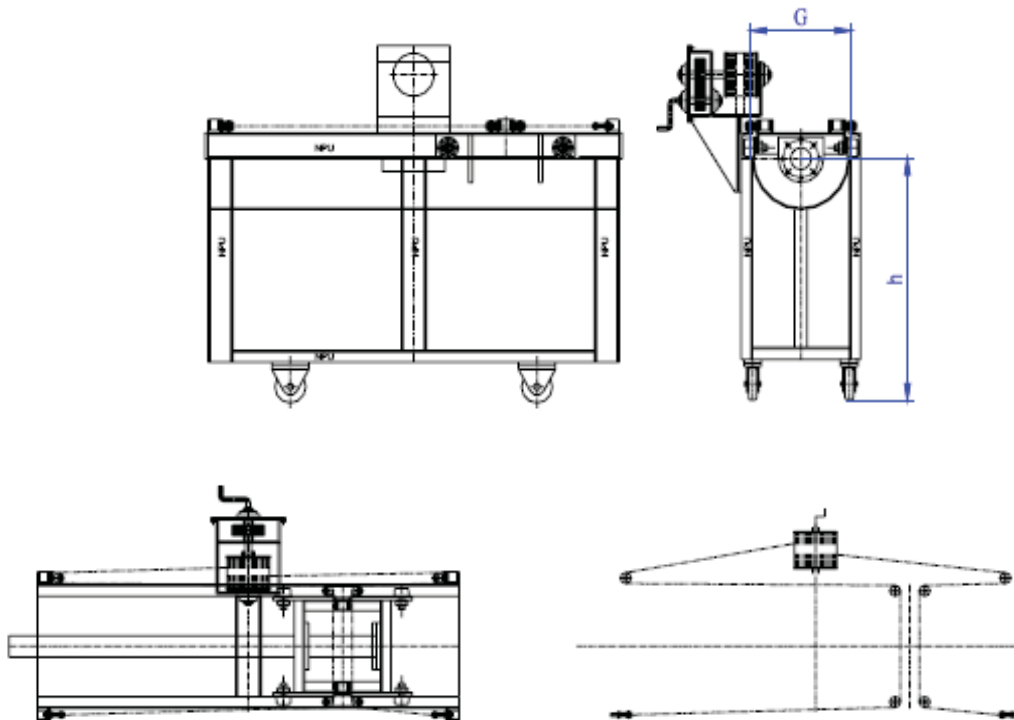


Dimension and Weights

## Jib Crane



## Trolley



Key Features