

## 2 1/2" BSP MEGA SUPERVENTIX™

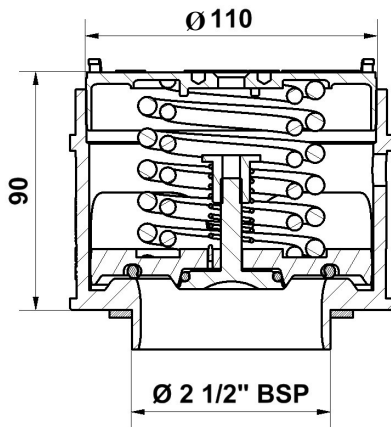
Series MX65F Pressure & Vacuum Safety relief valve

The PEROLO 2 1/2" BSP MEGA SUPERVENTIX™ safety relief valve is designed to protect tanks against accidental overpressure and excessive vacuum. With a smart compact design, the 2 1/2" BSP MEGA SUPERVENTIX™ SRV has a high flow performance.

Made of 316L/1.4404 stainless steel, this product is suitable for ISO tank containers, IBC's, rail tank cars, road tankers and static tanks dedicated to the transport and storage of chemicals and liquid foodstuff.



### Specifications



- Nominal diameter: 65mm (2 1/2 ")
- Maximum weight : 2,8 kg
- Connection: 2 1/2 " BSP
- Standard pressure settings: 2.18, 3.75, 4.40, 7.33 Bar.
- Standard vacuum setting: 0.21 bar  
*Other pressure & vacuum settings available on request*
- Certified Flow rate
- Design temperature: -40°C +190°C

### Flow rate

Set Pressure			Measured flow rate at 120 % without gauze		Certified flow rate with the federal Register coefficient 90% without gauze	
Bar	KPa	PSIG	Sm <sup>3</sup> /s	Scfm	Sm <sup>3</sup> /s	Scfm
+/- 0.14	+/- 14	+/- 2				
2,18	218	31,6	2,560	5425	2,304	4883
3,75	375	54,4	3,918	8301	3,526	7471
4,40	440	63,8	4,480	9492	4,032	8544
7,33	733	107,3	6,987	14803	6,288	13324

- Flow measurement conditions : 101.3 kPa, 15°C.

### Features

- Full 316L/1.4404 stainless steel construction
- Compact design
- Supplied with/without vacuum
- FEP seals
- High flow rates performance

### Approval & Certifications

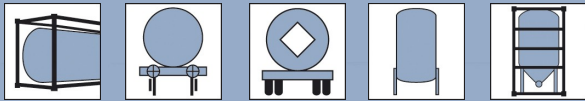
- Comply with IMDG 2008 & ADR 2009
- Certified and approved by Lloyd's Register

### Options

- Flame proof gauze
- Option PED CE 97/23/EC ⇨ Series MP65
- Spring Halar coated
- Vacuum test button
- Composite or Perbunan setting gasket

### Accessories

- Weld in flange. Part# 12 91 14 00 00.
- Recess flange. Part# 12 92 14 00 00.
- Bursting disc
- Bursting disc adaptor flange. Part# 11 91 15 00 00.
- Pressure gauge. Part# 70 21 02 00 22.



## Codification

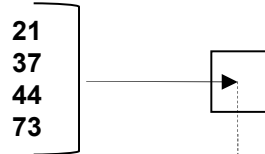
1. Base code of your Mega-SUPERVENTIX™



2. Set Pressure

- 2.18 Bar
- 3.75 Bar
- 4.40 Bar
- 7.33 Bar

Other on request



3. Seal type pressure/vacuum

- FEP



4. Vacuum (Optional)

- 0.21 Bar
- 0.05 Bar

Other on request



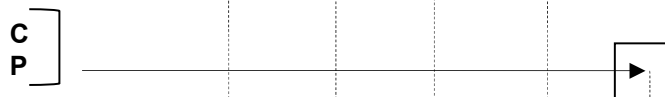
5. Flame proof gauze

- With
- Without



6. Setting gasket type

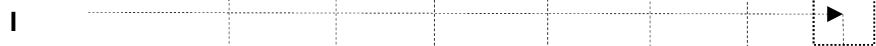
- Composite/ PTFE
- Rubber/PTFE



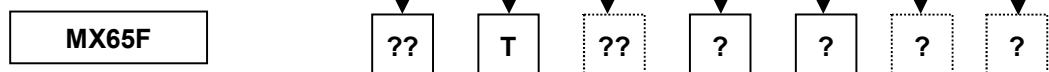
7. Vacuum test button (Optional)



8. Halar coating (Optional)



Final code of your Mega-SUPERVENTIX



STANDARD PART#



For any specific requests, please feel free to contact our sales department at [sales@perolo.com](mailto:sales@perolo.com)