

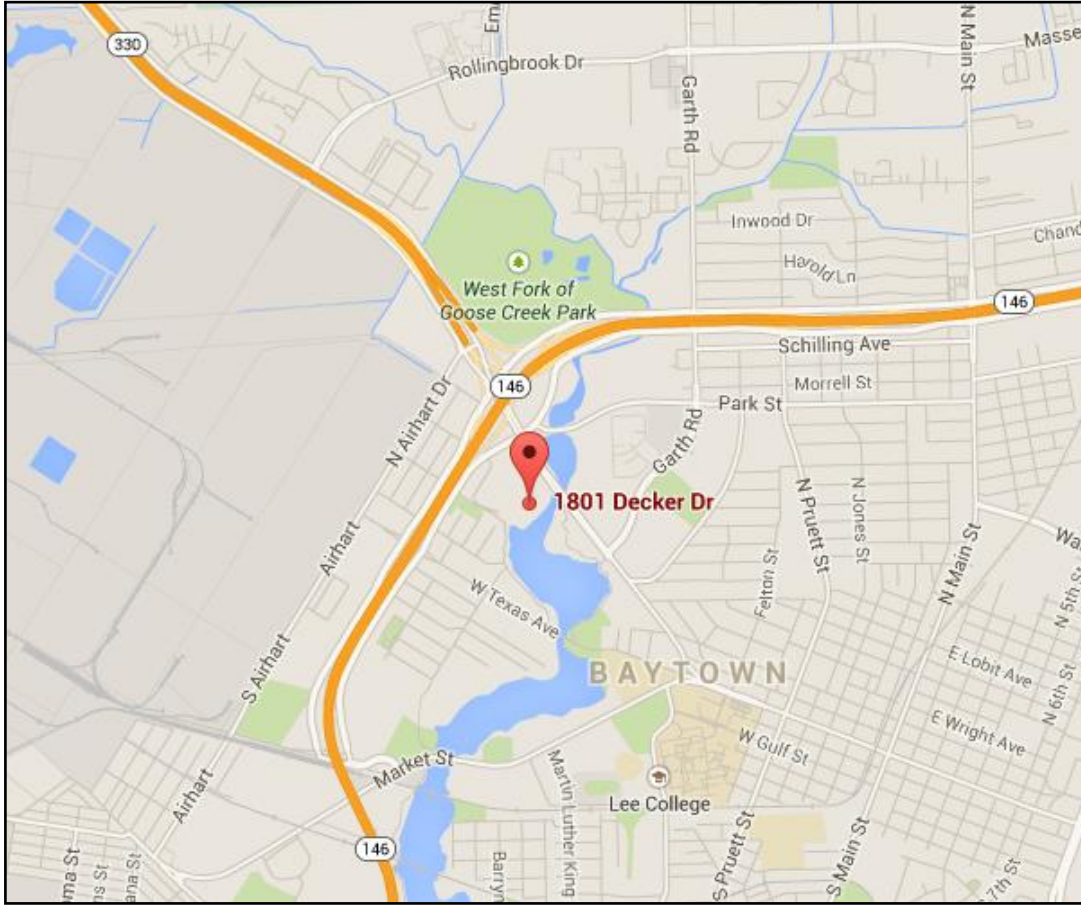


# ISO Tank Container Spare Parts Catalog

Master Distributors of:







**Tank Service, Inc.**  
**1801 Decker Drive**  
**Baytown, TX 77520**  
**USA**

Phone: +1 (281) 542.5600

Web store: [www.PeroloUSA.net](http://www.PeroloUSA.net)

Contact Email:  
[PartsDepartment@TankService.com](mailto:PartsDepartment@TankService.com)



# TABLE OF CONTENTS

## Ball Valves

[Page 9](#)

1 1/2" BSP Airline Ball Valve – Old Style

[Page 12-13](#)

1 1/2" BSP Airline Ball Valve

[Page 14-15](#)

1 1/2" Flanged Airline Ball Valve

[Page 16-17](#)

1 1/2" BSP-NPT Dual Airline Ball Valve

[Page 18-19](#)

DN40 ATCO™ Flanged Ball Valve

[Page 22-23](#)

DN50 ATCO™ Straight Ball Valve

[Page 24-25](#)

DN50 ATCO™ 90° Ball Valve

[Page 26-27](#)

DN50 ATCO™ Flanged Ball Valve

[Page 28-29](#)

DN50 x DN80 ATCO™ Flanged Ball Valve

[Page 30-31](#)

DN80 ATCO™ Flanged Ball Valve

[Page 32-33](#)



# TABLE OF CONTENTS

<b>Butterfly Valves</b>	<a href="#"><u>Page 35</u></a>
2" TANKFLY™ BSP Butterfly Valve	<a href="#"><u>Page 38-39</u></a>
2" TANKFLY™ Clamped Butterfly Valve	<a href="#"><u>Page 40-41</u></a>
2" TANKFLY™ Flanged Butterfly Valve	<a href="#"><u>Page 42-43</u></a>
3" TANKFLY™ Clamped Butterfly Valve	<a href="#"><u>Page 44-45</u></a>
3" TANKFLY™ Flanged Butterfly Valve	<a href="#"><u>Page 46-47</u></a>
<b>Foot Valves</b>	<a href="#"><u>Page 49</u></a>
3" NEATCO™ Foot Valve	<a href="#"><u>Page 52-55</u></a>
3" TWINCO™ Foot Valve	<a href="#"><u>Page 56-59</u></a>
3" NEATFLOW™ Foot Valve	<a href="#"><u>Page 60-65</u></a>
3" TWINFLOW™ Foot Valve	<a href="#"><u>Page 66-69</u></a>



# TABLE OF CONTENTS

## Safety Relief Valves

[Page 75](#)

2 ½” Mega Superventix™ BSP Safety Relief Valve

[Page 78-79](#)

3” Mega Superventix™ Flanged Safety Relief Valve

[Page 80-81](#)

Steam Valves

[Page 77](#)

## Manlids

[Page 83](#)

Manlid Covers

[Page 84](#)

Swing Bolts

[Page 85](#)

Manlid Assemblies

[Page 86-91](#)



# TABLE OF CONTENTS

## Flanges and Gaskets

[Page 93](#)

Flanges

[Page 94-100](#)

Flange Gaskets

[Page 101-106](#)

Manlid Gaskets

[Page 107-112](#)

PTFE Seats

[Page 113](#)

O-rings

[Page 114-115](#)

Tape & Liquid Thread Sealant

[Page 116](#)

VSP Gaskets & Products

[Page 117-126](#)

## Dust Caps and Fittings

[Page 127](#)

Dust Caps

[Page 128](#)

Cap Adapters

[Page 129](#)

Cam and Groove Fittings

[Page 130-135](#)

Pipe Fittings

[Page 136](#)

Crowfoot Fittings

[Page 137](#)

Driver's Kit

[Page 138](#)

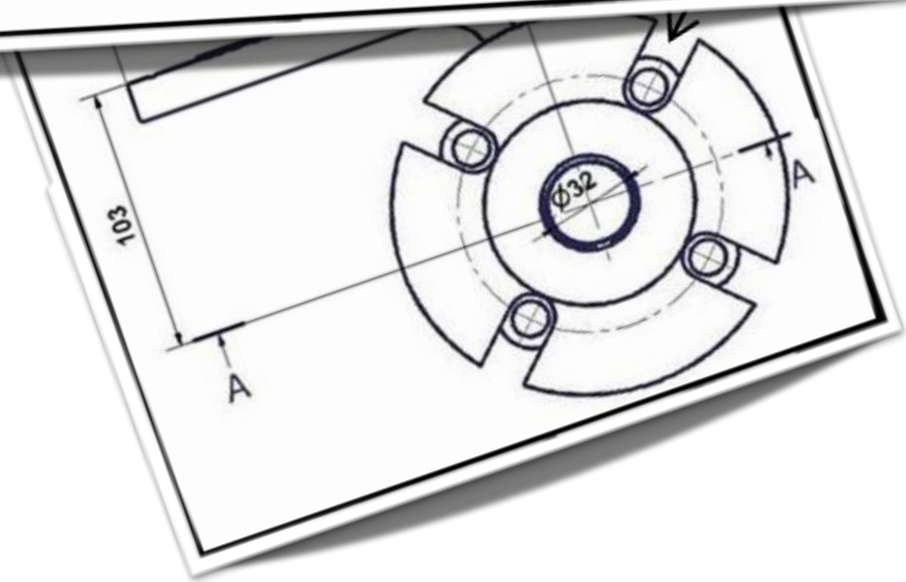
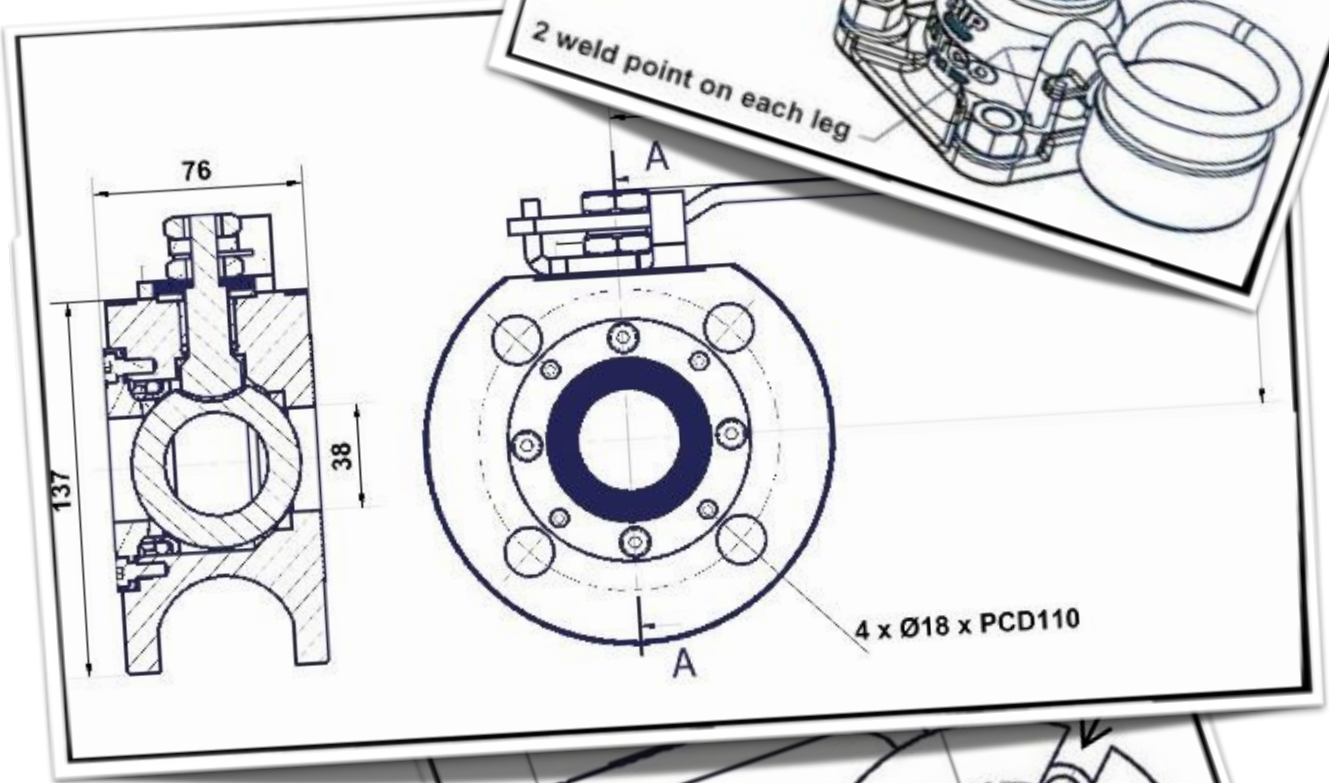
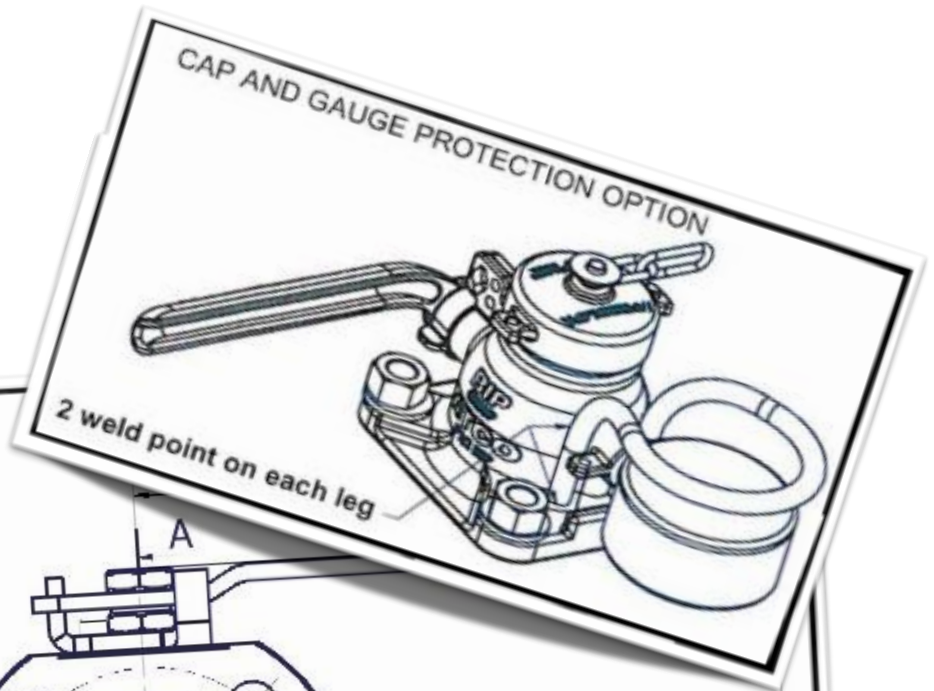


# TABLE OF CONTENTS





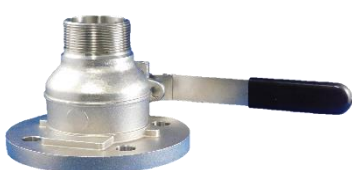
<b>Tank Parts &amp; Accessories</b>	<a href="#"><u>Page 139</u></a>
Rupture Discs	<a href="#"><u>Page 140</u></a>
Gauges	<a href="#"><u>Page 141</u></a>
Inline Ball Valves	<a href="#"><u>Page 142</u></a>
Catwalk	<a href="#"><u>Page 143-145</u></a>
Cladding	<a href="#"><u>Page 146-150</u></a>
Drain Hose	<a href="#"><u>Page 151-152</u></a>
Remote Cable	<a href="#"><u>Page 153</u></a>
Valve Accessories	<a href="#"><u>Page 154</u></a>
Manlid Accessories	<a href="#"><u>Page 155-156</u></a>
Corner Castings	<a href="#"><u>Page 157</u></a>
<b>Data Plates and Decals</b>	<a href="#"><u>Page 159</u></a>
Data Plates	<a href="#"><u>Page 160-161</u></a>
Document Holders	<a href="#"><u>Page 162</u></a>
Decals	<a href="#"><u>Page 163-181</u></a>



# Ball Valves



# Ball Valves

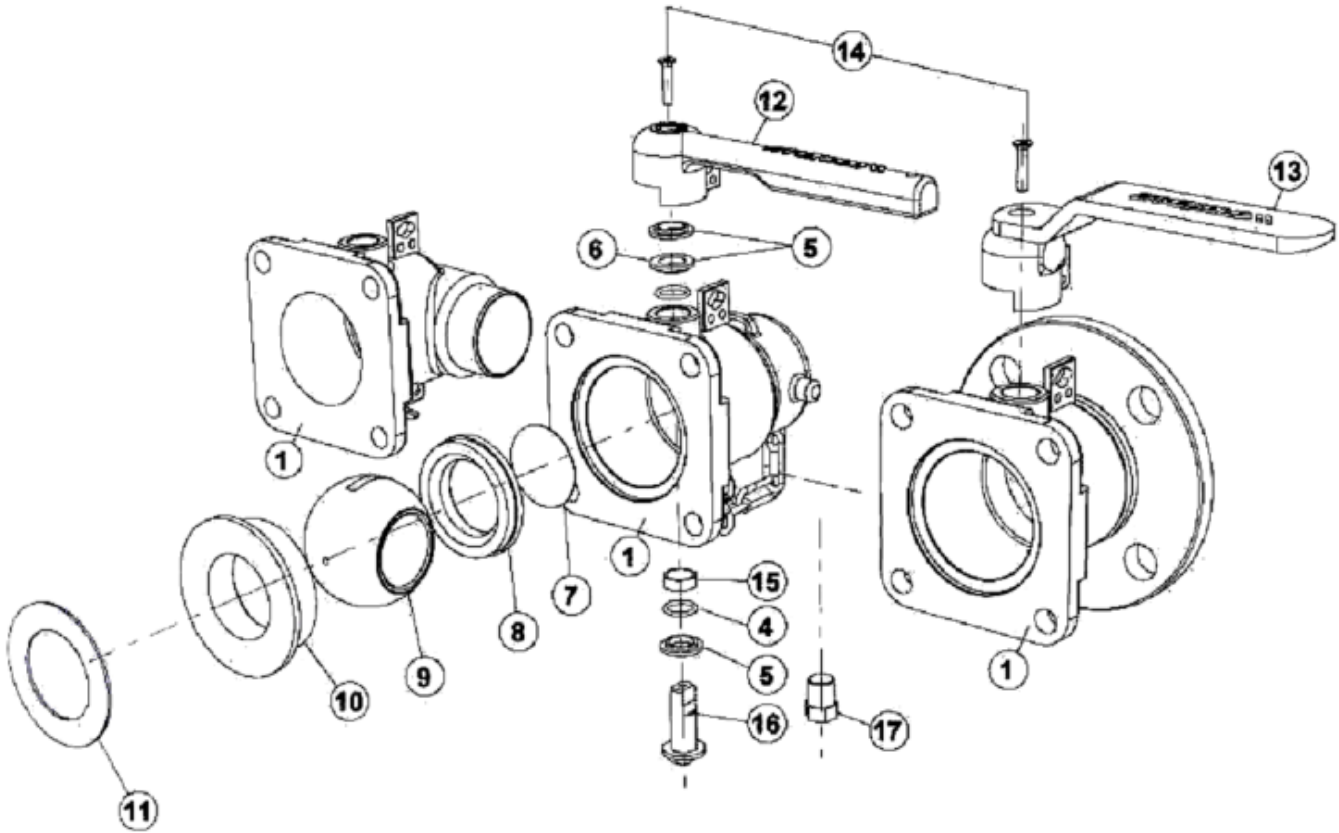
Item	Description	TSI P/N	MFG. P/N	Price
	<b>1 1/2" BSP ATCO™ AIR INLET BALL VALVE</b>	BV150TF-4H-BP-SS/01	AD3X7T21C S21	
	<b>1 1/2" FLANGED ATCO™ AIR INLET BALL VALVE</b>	BV150FL-4H-SL-SS-GP/01	AF3X7T25 S22	
	<b>1 1/2" BSP/NPT ATCO™ AIR INLET BALL VALVE</b>	BV150DL-4H-BN-SS/01	AT4X6T23C S11	
	<b>DN40 ATCO™ BALL VALVE</b>	BVD40FL-4H-SL-SS/01	AFN4X16T1 300000	
	<b>DN50 ATCO™ STRIAIGHT BALL VALVE</b>	BV200TF-4H-BP-SS/01	AFN5X16T1 300S00	



Item	Description	TSI P/N	MFG. P/N	Price
6	<b>DN50 ATCO™ 90° BALL VALVE</b>	BVD50TF-4H- BP-SS-90/01	ALN5X6T11M	
7	<b>DN50 ATCO™ BALL VALVE</b>	BVD50FL-4H- SL-SS/01	AFN5X16T13 00S00	
8	<b>DN50 X DN80 ATCO™ 90° BALL VALVE</b>	BV3X2TF-DD- BP-SS-90/01	AKN5X16T31 00M00	
9	<b>DN50 X DN80 ATCO™ BALL VALVE</b>	BV5X8FL-DD- SL-SS/01	AHN5X16T13 00S00	
10	<b>DN80 ATCO™ BALL VALVE</b>	BVD80FL-DD- SL-SS/01	AFN8X16T53 S000	



## Old Style 1 1/2" ATCO™ Airline BSP Ball Valve

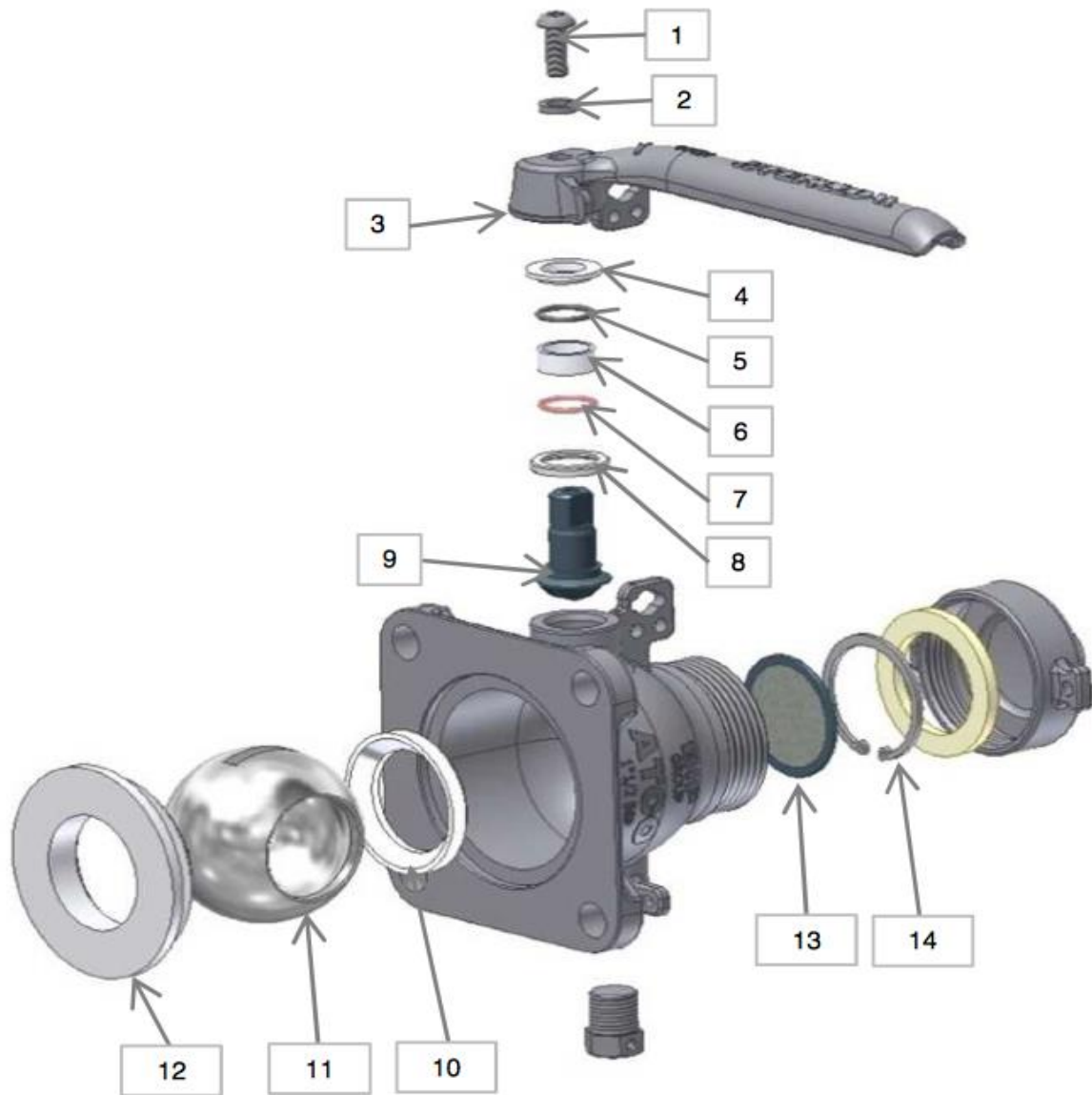


Description	TSI P/N	MFG. P/N	Price
1 1/2" BSP ATCO™ AIR INLET STUD KIT	FA-KT-QXD4-10X035	12 91 99 00 00	



Item	Description	TSI P/N	MFG. P/N	Price
	<b>Ball seals kit:</b>			
8	Ball seal (PFTE) Old Style	BV150FL-SP1A/01	11 91 09 00 00	
10	Main seal (PTFE) Old Style	BV150FL-SP2A/01	11 91 09 00 00	
	<b>Ball kit:</b>			
9	Ball (316)	BV150XX-SP3A/01	11 14 01 94 00 (Prev.# 12 96 06 00 09)	
	<b>Spindle seals kit:</b>			
4	O-ring (FEP/Silicon)	BV150XX-SK2A/01	11 91 60 00 00	
5	Bearing (PTFE)			
6	O-ring (Viton)			
15	Spacer (PTFE)			
	<b>BSP / Dual Handle kit Old Style:</b>			
14	Screw (304)	BV150TF-SK3A/01	11 91 08 00 00	
12	Handle (304L)			
16	Spindle			
	<b>Flanged Handle kit Old Style:</b>			
14	Screw (304)	BV150FL-SK3A/01	11 91 07 00 00	
13	Handle (304L)			
16	Spindle			
	<b>Filter kit:</b>			
7	Filter	BV150XX-SK4/01	12 91 94 00 00	

# 1 1/2" ATCO™ Airline BSP Threaded Ball Valve



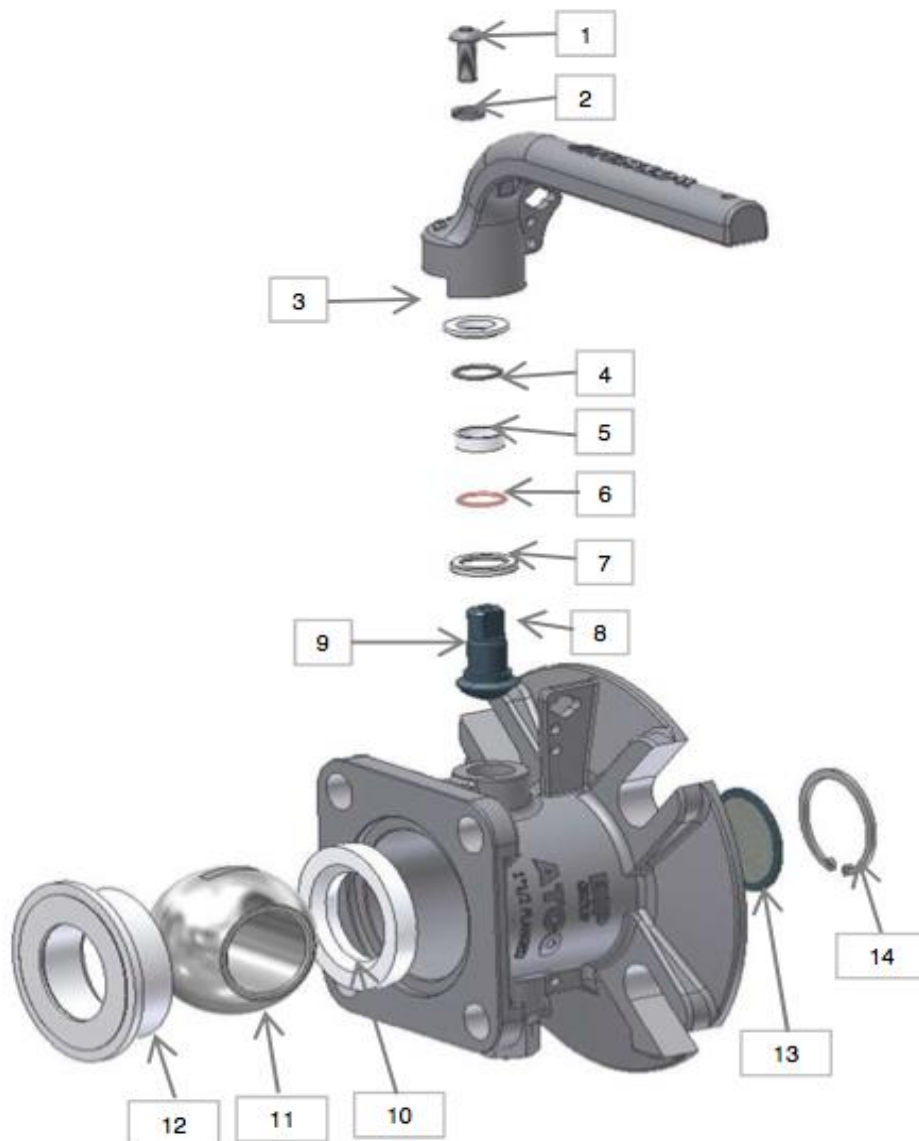
Description	TSI P/N	MFG. P/N	Price
<b>1 1/2" BSP ATCO™ AIR INLET BALL VALVE</b>	BV150TF-4H-BP-SS/01	AD3X7T21CS21	
<b>1 1/2" BSP ATCO™ AIR INLET BALL VALVE w/ GAUGE GUARD</b>	BV150TF-4H-BP-SS-GP/01	AD3X7T21CS22	

Description	TSI P/N	MFG. P/N	Price
<b>1 1/2" BSP ATCO™ AIR INLET STUD KIT</b>	FA-KT-QXD4-10X035	12 91 99 00 00	



Item	Description	TSI P/N	MFG. P/N	Price
	<b>Ball seals kit:</b>			
10	Ball seal (PFTE)	BV150TF-SK1B/01	11 14 01 93 00	
12	Main seal (PTFE)			
	<b>High temp° ball seals kit:</b>			
	<b>(working temp°: -40° to +250°C)</b>		on request	
10	Ball seal (PFTE/Graphite)			
12	Main seal (PTFE/Graphite)			
	<b>Ball kit:</b>			
11	Ball (316)	BV150XX-SP3A/01	11 14 01 94 00	
	<b>Handle kit:</b>			
1	Screw M6x16 (304)	BV150TF-SK3B/01	11 14 01 91 00	
2	Washer W6 (304L)			
3	Handle (304L)			
4	Bearing (PTFE)			
5	O-ring (Viton)			
6	Spacer (PTFE)			
7	O-ring (FEP/Silicon)			
8	Spindle Seal			
9	Spindle			
9	Spindle	BV150XX-SP4B/01	11 14 02 00 02	
	<b>Spindle seals kit:</b>			
4	Bearing (PTFE)	BV150XX-SK2B/01	11 14 01 92 00	
5	O-ring (Viton)			
6	Spacer (PTFE)			
7	O-ring (FEP/Silicon)			
8	Spindle Seal			
	<b>Filter kit:</b>			
13	Filter (316L)	BV150XX-SK4B/01	11 14 01 95 00	
14	Elastic ring (304L)			

## 1 1/2" ATCO™ Airline Flanged Ball Valve



Description	TSI P/N	MFG. P/N	Price
<b>1 1/2" BSP ATCO™ AIR INLET FLANGED BALL VALVE</b>	BV150FL-4H-SL-SS/01	AF3X7T25S21	
<b>1 1/2" BSP ATCO™ AIR INLET FLANGED BALL VALVE w/ GAUGE GUARD</b>	BV150FL-4H-SL-SS-GP/01	AF3X7T25S22	

Description	TSI P/N	MFG. P/N	Price
<b>1 1/2" BSP ATCO™ AIR INLET STUD KIT</b>	FA-KT-QXD4-10X035	12 91 99 00 00	





Item	Description	TSI P/N	MFG. P/N	Price
	<b>Ball seals kit:</b>			
10	Ball seal (PTFE)	BV150FL-SK1B/01	11 91 09 00 00	
12	Main seal (PTFE)			
	<b>High temp° ball seals kit:</b>			
	<b>(working temp°: -40° to +250°C)</b>		On request	
10	Ball seal (PTFE/Graphite)			
12	Main seal (PTFE/Graphite)			
	<b>Ball kit:</b>			
11	Ball (316)	BV150XX-SP3A/01	11 14 01 94 00	
	<b>Handle kit:</b>			
1	Screw M6x16 (304)	BV150FL-SK3B/01	11 14 02 91 00	
2	Washer W6 (304L)			
3	Handle (304L)			
4	Bearing (PTFE)			
5	O-ring (Viton)			
6	Spacer (PTFE)			
7	O-ring (FEP/Silicon)			
8	Spindle Seal			
9	Spindle			
9	Spindle	BV150XX-SP4B/01	11 14 02 00 02	
	<b>Spindle seals kit:</b>			
4	Bearing (PTFE)	BV150XX-SK2B/01	11 14 01 92 00	
5	O-ring (Viton)			
6	Spacer (PTFE)			
7	O-ring (FEP/Silicon)			
8	Spindle Seal			
	<b>Filter kit:</b>			
13	Filter (316L)	BV150XX-SK4B/01	11 14 01 95 00	
14	Elastic ring (304L)			

# 1 1/2" ATCO™ Airline BSP/NPT Threaded Ball Valve



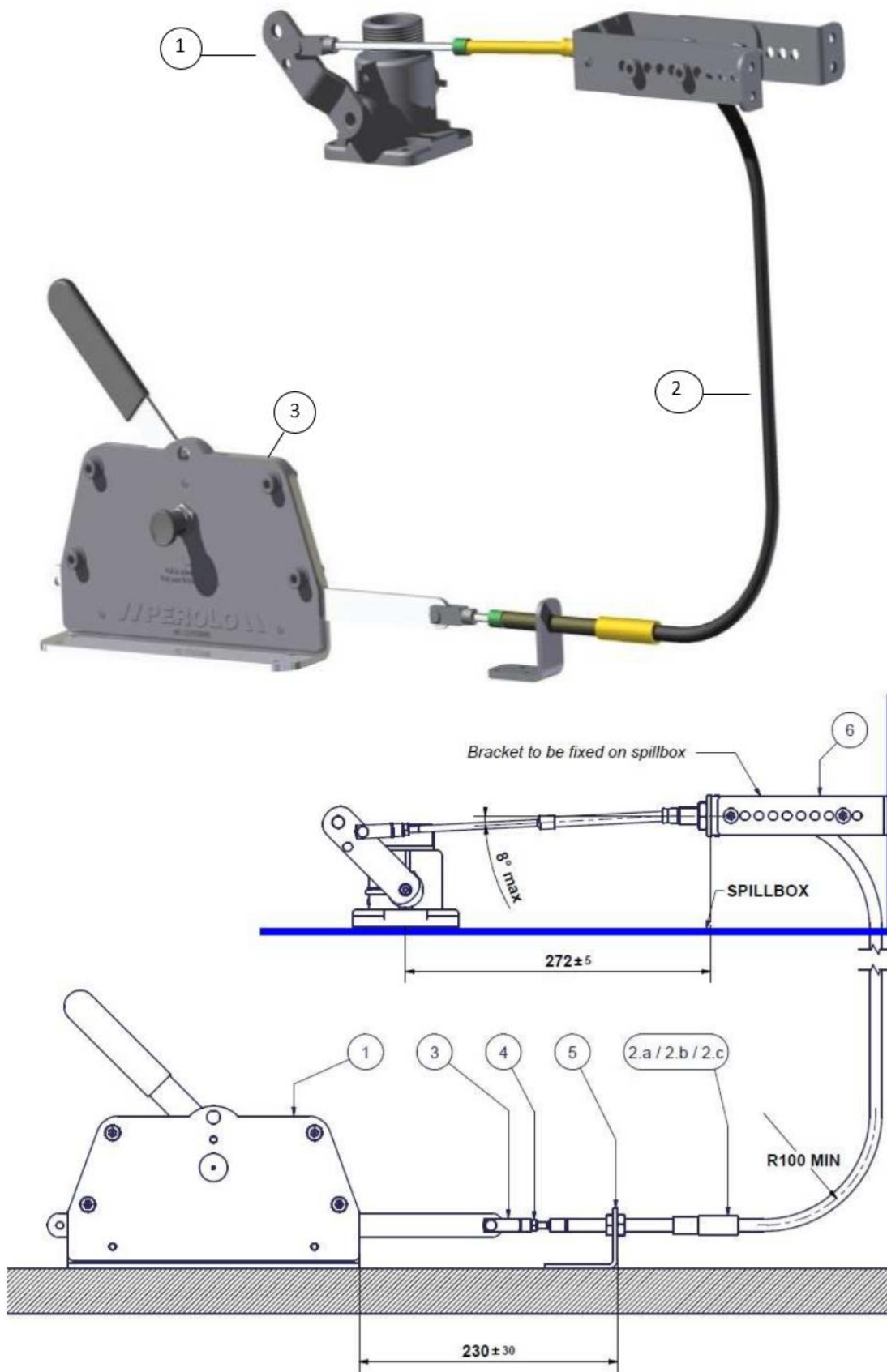
Description	TSI P/N	MFG. P/N	Price
<b>1 1/2" BSP/NPT ATCO™ AIR INLET BALL VALVE</b>	BV150DL-4H-BN-SS/01	AT4X6T23CS11	

Description	TSI P/N	MFG. P/N	Price
<b>1 1/2" BSP ATCO™ AIR INLET STUD KIT</b>	FA-KT-QXD4-10X035	12 91 99 00 00	



Item	Description	TSI P/N	MFG. P/N	Price
	<b>Ball seals kit:</b>			
10	Ball seal (PTFE)	BV150TF-SK1B/01	11 14 01 93 00	
12	Main seal (PTFE)			
	<b>High temp° ball seals kit:</b>			
	<b>(working temp°: -40° to +250°C)</b>	on request	11 14 01 96 00	
10	Ball seal (PTFE/Graphite)			
12	Main seal (PTFE/Graphite)			
	<b>Ball kit:</b>			
11	Ball (316)	BV150XX-SP3A/01	11 14 01 94 00	
	<b>Handle kit:</b>			
1	Screw M6x16 (304)	BV150DL-SK3B/01	12 96 06 92 50	
2	Washer W6 (304L)			
3	Handle (304L)			
4	Bearing (PTFE)			
5	O-ring (Viton)			
6	Spacer (PTFE)			
7	O-ring (FEP/Silicon)			
8	Spindle Seal			
9	Spindle			
9	Spindle	BV150XX-SP4B/01	11 14 02 00 02	
	<b>Spindle seals kit:</b>			
4	Bearing (PTFE)	BV150XX-SK2B/01	11 14 01 92 00	
5	O-ring (Viton)			
6	Spacer (PTFE)			
7	O-ring (FEP/Silicon)			
8	Spindle Seal			
	<b>Remote Control Handle kit:</b>			
A	Filter (316L)	MISC-RMC-HND2	11 14 15 91 00	

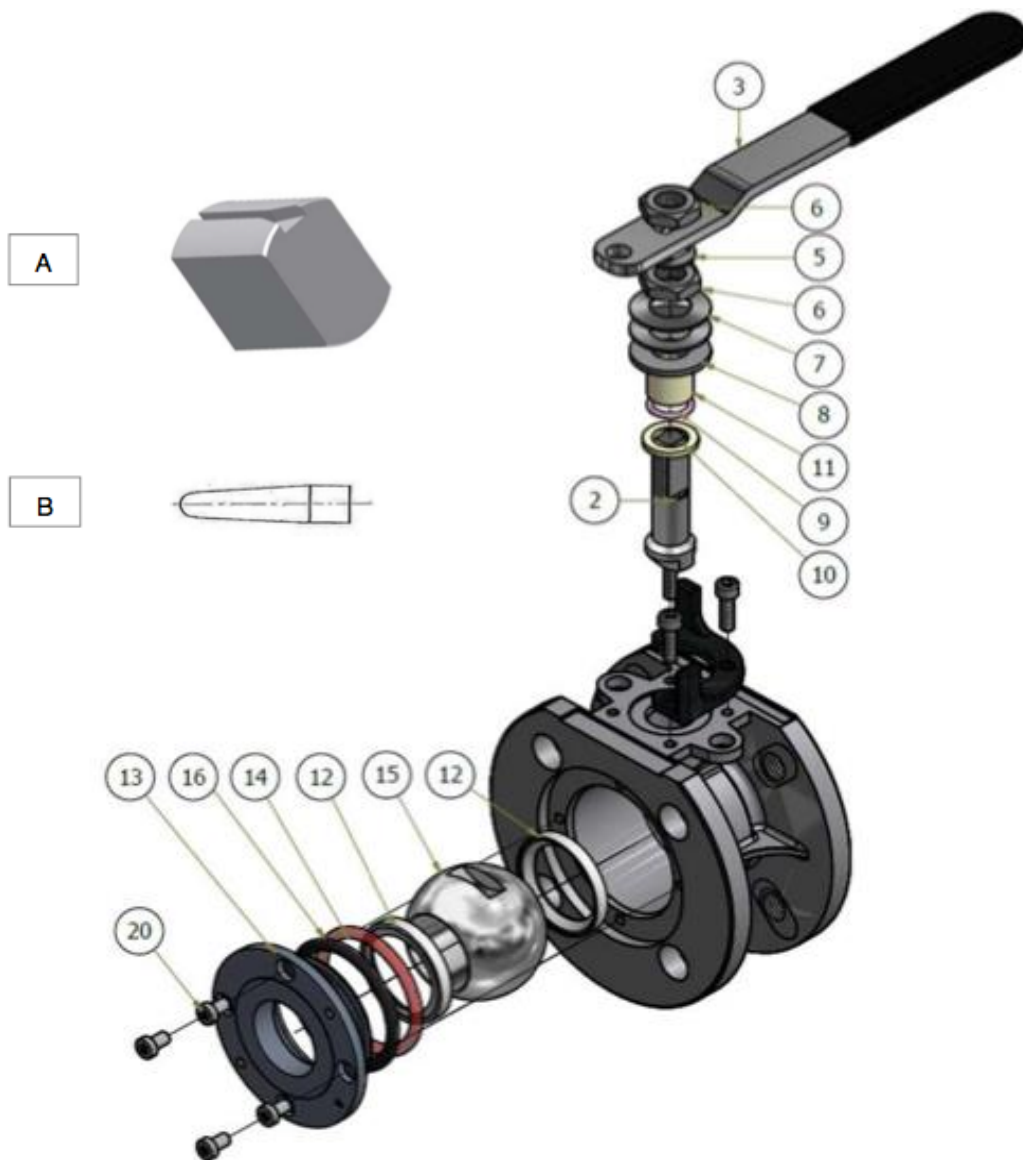
## Remote Control for Airline Ball Valve





Item	Description	TSI P/N	MFG. P/N	Price
1	AD3X Remote Control Valve Handle (new style)	MISC-RMC-HNDL	11 14 15 60 00	
1b	AD4X Remote Control Valve Handle. (old style)	MISC-RMT-HNDL-OLD	12 96 07 16 00	
A	Cable Remote Operation Assembly – 3 Meter Cable	MISC-RMC-3CBL	RMT33	
2	3 Meter Cable			
3	Remote Control Operating Handle			
B	Cable Remote Operation Assembly – 5 Meter Cable	MISC-RMC-5CBL	RMT35	
2	5 Meter Cable			
3	Remote Control Operating Handle			
C	Cable Remote Operation Assembly – 7 Meter Cable	MISC-RMC-7CBL	RMT37	
2	7 Meter Cable			
3	Remote Control Operating Handle			
3	Remote Control Operating Handle	Special Order Item	11 14 15 10 00	
D	Cable Remote Assembly with 5 Meter Cable & 1.5" Airline Ball Valve Handle (New Style)	MISC-RMC-5ASM	n/a	
1	AD3X Remote Control Valve Handle (new style)			
2	5 Meter Cable			
3	Remote Control Operating Handle			

## DN40 ATCO™ Full Bore Ball Valve



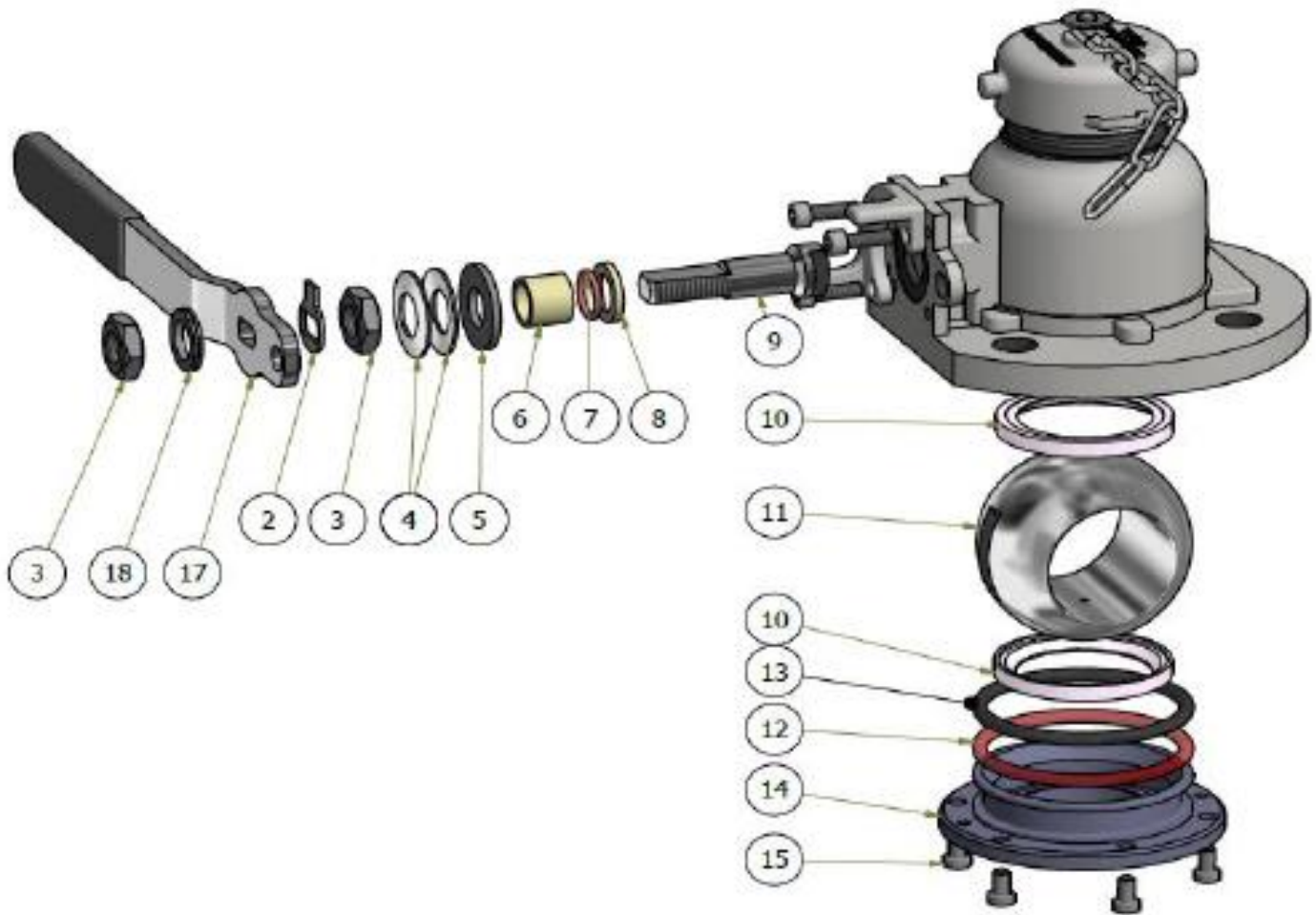
Description	TSI P/N	MFG. P/N	Price
<b>DN40 ATCO™ BALL VALVE</b>	BVD40FL-4H-SL-SS/01	AFN4X16T 1300000	
<b>DN40 ATCO™ BALL VALVE (HALAR COATED)</b>	BVD40FL-4H-SL-SS-HL/01	AFN4X16T 1300001	

Description	TSI P/N	MFG. P/N	Price
<b>ATCO™ DN 40 BALL VALVE FULL BORE STUD KIT</b>	FA-KT-QXD4-16X045	11 91 13 91 00	



Item	Description	TSI P/N	MFG. P/N	Price
	<b>Ball seals kit:</b>			
12	2 x ball seals (PTFE)	BVD40FL-SK1A/01	11 12 82 91 00	
14	O-ring (FEP encapsulated)			
16	O-ring (Viton)			
	<b>Ball kit:</b>			
15	Ball	BVD40FL-SP3A/01	11 12 82 92 00	
	<b>Drilled ball kit:</b>			
15	Drilled ball	Available upon request	11 12 39 97 00	
2	<b>Spindle</b>	BV45XFL-SP4A/01	11 12 39 00 16	
	<b>Spindle seals kit:</b>			
11	Bearing bush (PTFE)	BV45XFL-SK2A/01	11 12 42 93 00	
9	O-ring (FEP encapsulated)			
10	Spindle seal (PTFE)			
	<b>Spindle kit:</b>			
2	Spindle (stainless steel)	BV45XFL-SK14A/01	10 14 16 91 00	
6	2 x nuts (stainless steel)			
5	Stop washer (stainless steel)			
7	2 x elastic washers (stainless steel)			
8	Washer (stainless steel)			
	<b>Handle kit:</b>			
3	Handle	BV45XFL-SK3A/01	11 14 16 92 00	
6	2 x nuts			
5	Washer (stainless steel)			
	<b>Clamping ring kit:</b>			
13	Clamping ring (stainless steel)	BVD40FL-SK6B/01	11 12 82 97 00	
20	4 x screw M16 (stainless steel)			
	<b>Tools kit:</b>			
A	Spindle assembly tool	Available upon request	11 12 82 96 00	
B	O-ring assembly tool			

## DN50 ATCO™ Straight Full Bore Ball Valve



Description	TSI P/N	MFG. P/N	Price
<b>DN50 ATCO™ STRAIGHT BALL VALVE</b>	BV200TF-4H-BP-SS/01	AD5X16T11CS0000	

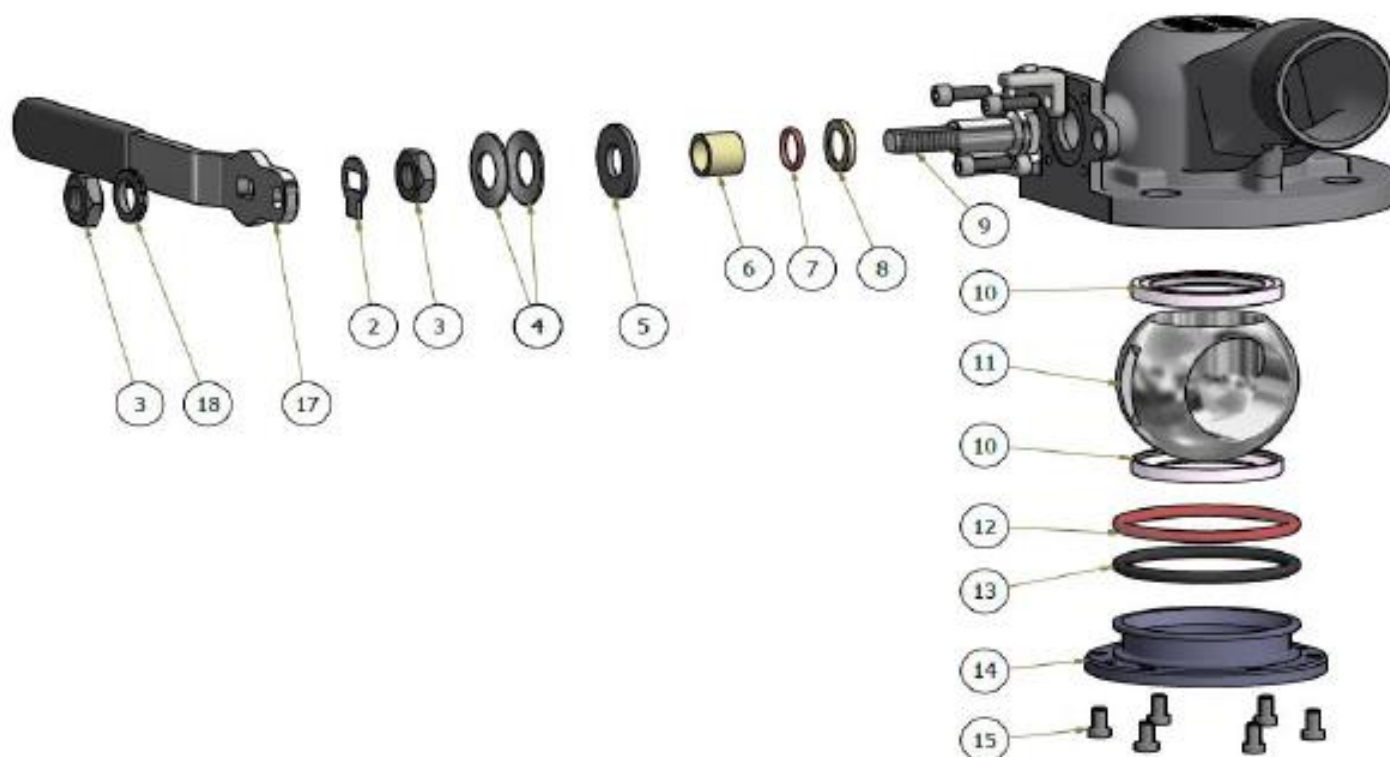
Description	TSI P/N	MFG. P/N	Price
<b>DN50 ATCO™ BALL VALVE STUD KIT</b>	FA-KT-QXD4-16X045	11 91 13 91 00	





Item	Description	TSI P/N	MFG. P/N	Price
	<b>Ball seals kit:</b>			
10	2 x ball seals (PTFE)	BVD5XFL-SK1A/01	11 12 42 92 00	
12	O-ring (FEP encapsulated)			
13	O-ring (Viton)			
	<b>Ball kit:</b>			
11	Ball	BVD5XFL-SP3A/01	11 12 42 91 00	
	<b>Drilled ball kit:</b>			
11	Drilled ball	Available upon request	11 12 39 94 00	
9	<b>Spindle</b>	BV45XFL-SP4A/01	11 12 39 00 16	
	<b>Spindle seals kit:</b>			
6	Bearing bush (PTFE)	BV45XFL-SK2A/01	11 12 42 93 00	
7	O-ring (FEP encapsulated)			
8	Spindle seal (PTFE)			
	<b>Handle kit:</b>			
17	Handle	BV45XFL-SK3A/01	11 14 16 92 00	
3	2 x nuts			
2	Washer (stainless steel)			
18	Nordlock washer			
	<b>Clamping ring kit:</b>			
14	Clamping ring (stainless steel)	BVD50FL-SK6B/01	11 12 69 93 00	
15	6 x screw M16 (stainless steel)			
	<b>Tools kit:</b>			
A	Spindle assembly tool	Available upon request	11 12 69 94 00	
B	O-ring assembly tool			

## DN50 ATCO™ 90° Full Bore Ball Valve



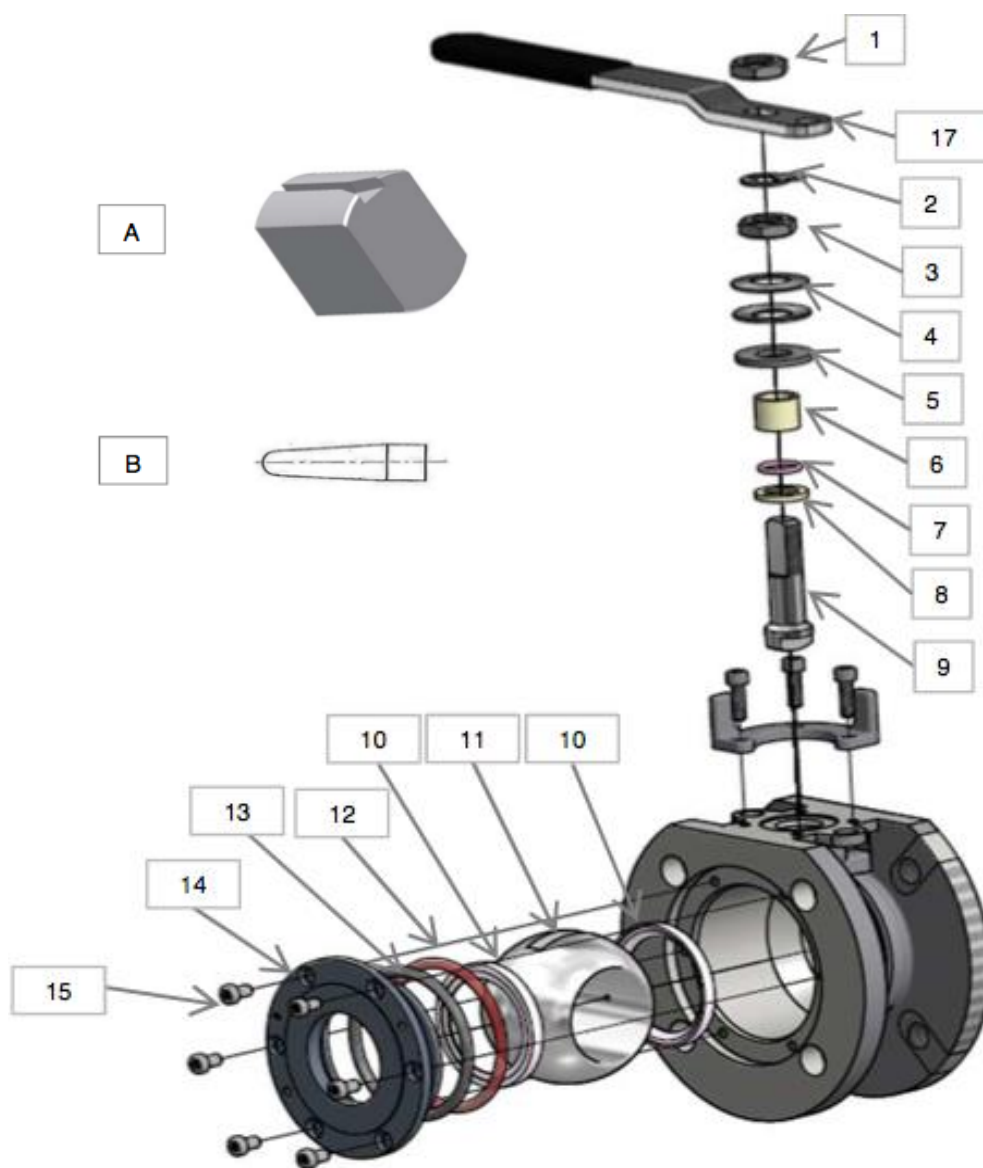
Description	TSI P/N	MFG. P/N	Price
<b>DN50 ATCO™ 90° BALL VALVE</b>	BVD50TF-4H-BP-SS-90/01	ALN5X6T11M	

Description	TSI P/N	MFG. P/N	Price
<b>DN50 ATCO™ BALL VALVE STUD KIT</b>	FA-KT-QXD4-16X045	11 91 13 91 00	



Item	Description	TSI P/N	MFG. P/N	Price
	<b>Ball seals kit:</b>			
10	2 x ball seals (PTFE)	BVD5XFL-SK1A/01	11 12 42 92 00	
12	O-ring (FEP encapsulated)			
13	O-ring (Viton)			
	<b>Ball kit:</b>			
11	Ball	BV200XX-SP3A/01	11 14 59 00 11	
9	<b>Spindle</b>	BV45XFL-SP4A/01	11 12 39 00 16	
	<b>Spindle seals kit:</b>			
6	Bearing bush (PTFE)	BV45XFL-SK2A/01	11 12 42 93 00	
7	O-ring (FEP encapsulated)			
8	Spindle seal (PTFE)			
	<b>Handle kit:</b>			
17	Handle	BV45XFL-SK3A/01	11 14 16 92 00	
3	2 x nuts			
2	Washer (stainless steel)			
18	Nordlock washer			
	<b>Clamping ring kit:</b>			
14	Clamping ring (stainless steel)	BVD50FL-SK6B/01	11 12 69 93 00	
15	6 x screw M16 (stainless steel)			
	<b>Tools kit:</b>			
A	Spindle assembly tool	Available upon request	11 12 69 94 00	
B	O-ring assembly tool			

## DN50 ATCO™ Full Bore Ball Valve



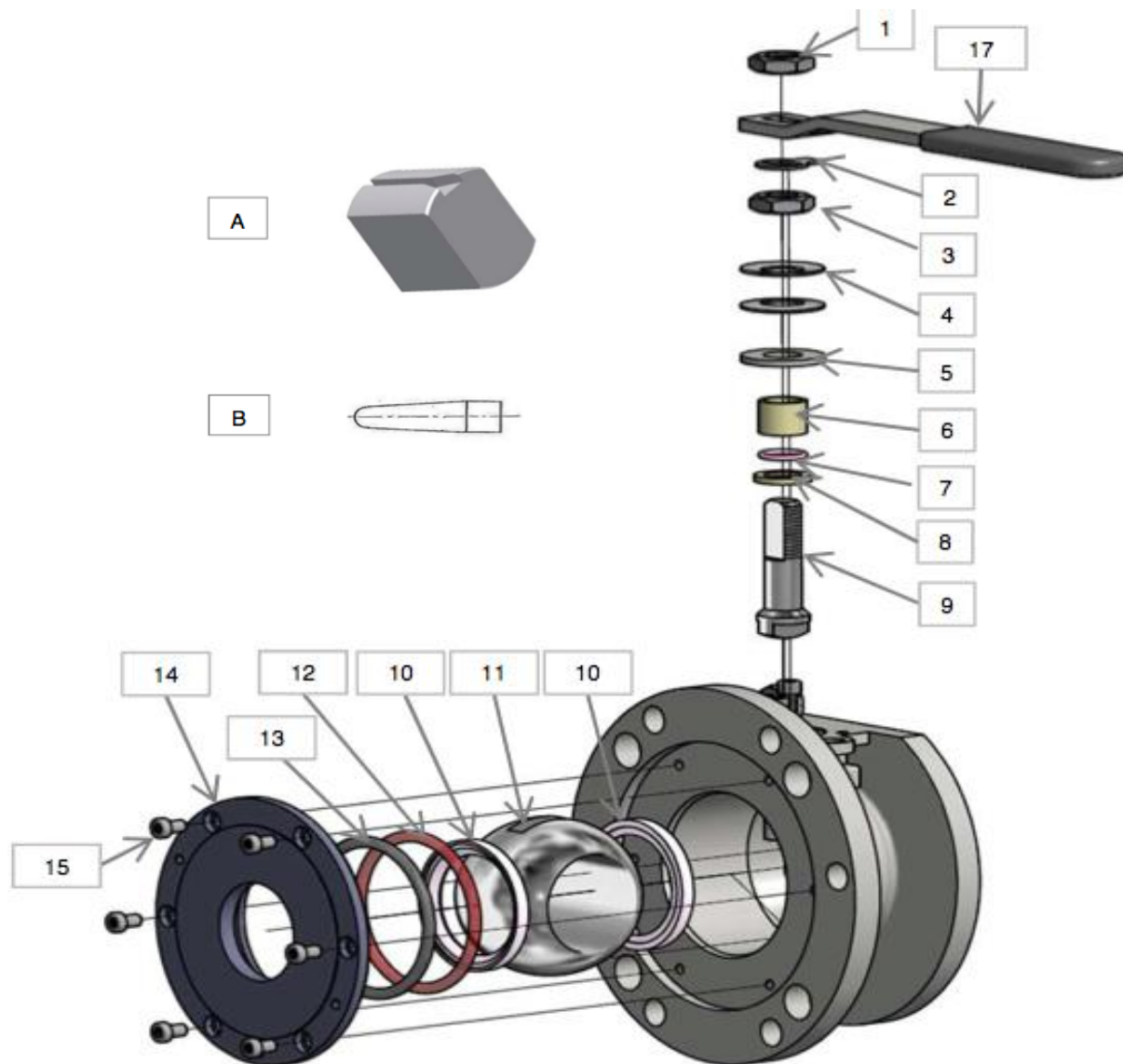
Description	TSI P/N	MFG. P/N	Price
<b>DN50 ATCO™ BALL VALVE</b>	BVD50FL-4H-SL-SS/01	AFN5X16T 1300S00	
<b>DN50 ATCO™ BALL VALVE (HALAR COATED)</b>	BVD50FL-4H-SL-SS-HL/01	AFN5X16T 1300S0R	

Description	TSI P/N	MFG. P/N	Price
<b>DN50 ATCO™ BALL VALVE STUD KIT</b>	FA-KT-QXD4-16X045	11 91 13 91 00	



Item	Description	TSI P/N	MFG. P/N	Price
	<b>Ball seals kit:</b>			
10	2 x ball seals (PTFE)	BVD5XFL-SK1A/01	11 12 42 92 00	
12	O-ring (FEP encapsulated)			
13	O-ring (Viton)			
	<b>Ball kit:</b>			
11	Ball	BVD5XFL-SP3A/01	11 12 42 91 00	
	<b>Drilled ball kit:</b>			
11	Drilled ball	Available upon request	11 12 39 94 00	
9	<b>Spindle</b>	BV45XFL-SP4A/01	11 12 39 00 16	
	<b>Spindle seals kit:</b>			
6	Bearing bush (PTFE)	BV45XFL-SK2A/01	11 12 42 93 00	
7	O-ring (FEP encapsulated)			
8	Spindle seal (PTFE)			
	<b>Handle kit:</b>			
17	Handle	BV45XFL-SK3A/01	11 14 16 92 00	
3	2 x nuts			
2	Washer (stainless steel)			
18	Nordlock washer			
	<b>Clamping ring kit:</b>			
14	Clamping ring (stainless steel)	BVD50FL-SK6B/01	11 12 69 93 00	
15	6 x screw M16 (stainless steel)			
	<b>Tools kit:</b>			
A	Spindle assembly tool	Available upon request	11 12 69 94 00	
B	O-ring assembly tool			

## DN50 x DN80 ATCO™ Full Bore Ball Valve



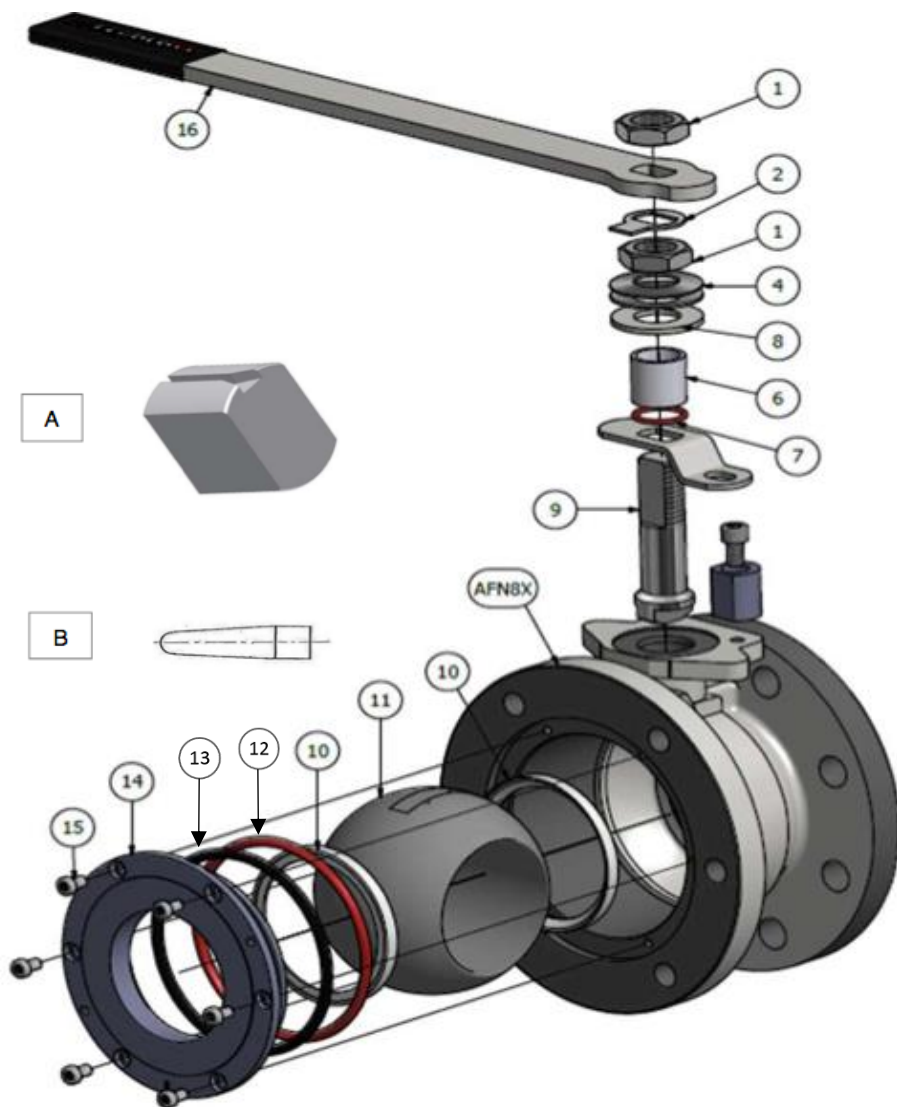
Description	TSI P/N	MFG. P/N	Price
<b>DN50 X DN80 ATCO™ BALL VALVE</b>	BVD5X8FL-DD-SL-SS/01	AHN5X16T 1300S00	

Description	TSI P/N	MFG. P/N	Price
<b>DN50 X DN80 ATCO™ BALL VALVE 4 HOLE STUD KIT</b>	FA-KT-QXD4-16X050	17 12 10 96 00	
<b>DN50 X DN80 ATCO™ BALL VALVE 6 HOLE STUD KIT</b>	FA-KT-QXD6-12X050	N/A	



Item	Description	TSI P/N	MFG. P/N	Price
	<b>Ball seals kit:</b>			
10	2 x ball seals (PTFE)	BVD5XFL-SK1A/01	11 12 42 92 00	
12	O-ring (FEP encapsulated)			
13	O-ring (Viton)			
	<b>Ball kit:</b>			
11	Ball	BVD5XFL-SP3A/01	11 12 42 91 00	
	<b>Drilled ball kit:</b>			
		Available upon request	11 12 39 94 00	
11	Drilled ball			
9	<b>Spindle</b>	BV45XFL-SP4A/01	11 12 39 00 16	
	<b>Spindle seals kit:</b>			
6	Bearing bush (PTFE)	BV45XFL-SK2A/01	11 12 42 93 00	
7	O-ring (FEP encapsulated)			
8	Spindle seal (PTFE)			
	<b>Spindle kit:</b>			
9	Spindle (stainless steel)	BV45XFL-SK14A/01	10 14 16 91 00	
1&3	2 x nuts (stainless steel)			
2	Washer (stainless steel)			
4	2 x elastic washers (stainless steel)			
5	Washer (stainless steel)			
	<b>Handle kit:</b>			
17	Handle	BV5X8FL-SK15B/01	11 17 07 94 00	
1&3	2 x nuts			
2	Washer (stainless steel)			
	<b>Clamping ring kit:</b>			
14	Clamping ring (stainless steel)	BV5X8FL-SK6B/01	11 17 07 93 00	
15	6 x screw M16 (stainless steel)			
	<b>Tools kit:</b>			
A	Spindle assembly tool	Available upon request	11 12 69 94 00	
B	O-ring assembly tool			

## DN80 ATCO™ Full Bore Ball Valve



Description	TSI P/N	MFG. P/N	Price
<b>DN80 ATCO™ BALL VALVE</b>	BVD80FL-DD-SL-SS/01	AFN8X16T 53S000	
<b>DN80 ATCO™ BALL VALVE (HALAR COATED)</b>	BVD80FL-DD-SL-SS-HL/01	AFN8X16T 53U001	

Description	TSI P/N	MFG. P/N	Price
<b>DN80 ATCO™ BALL VALVE 4 HOLE STUD KIT</b>	FA-KT-QXD4-16X050	17 12 10 96 00	
<b>DN80 ATCO™ BALL VALVE 6 HOLE STUD KIT</b>	FA-KT-QXD6-12X050	N/A	

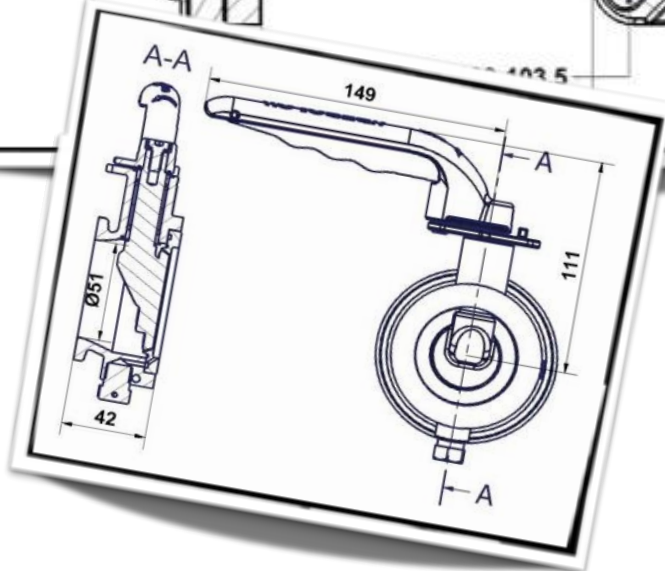
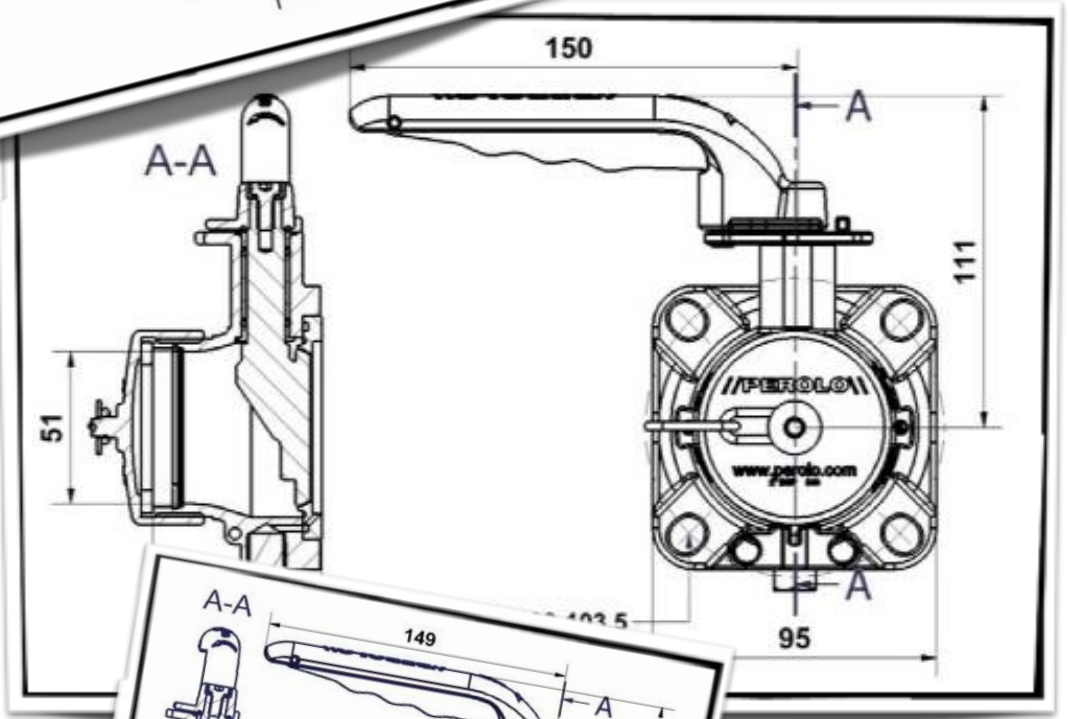
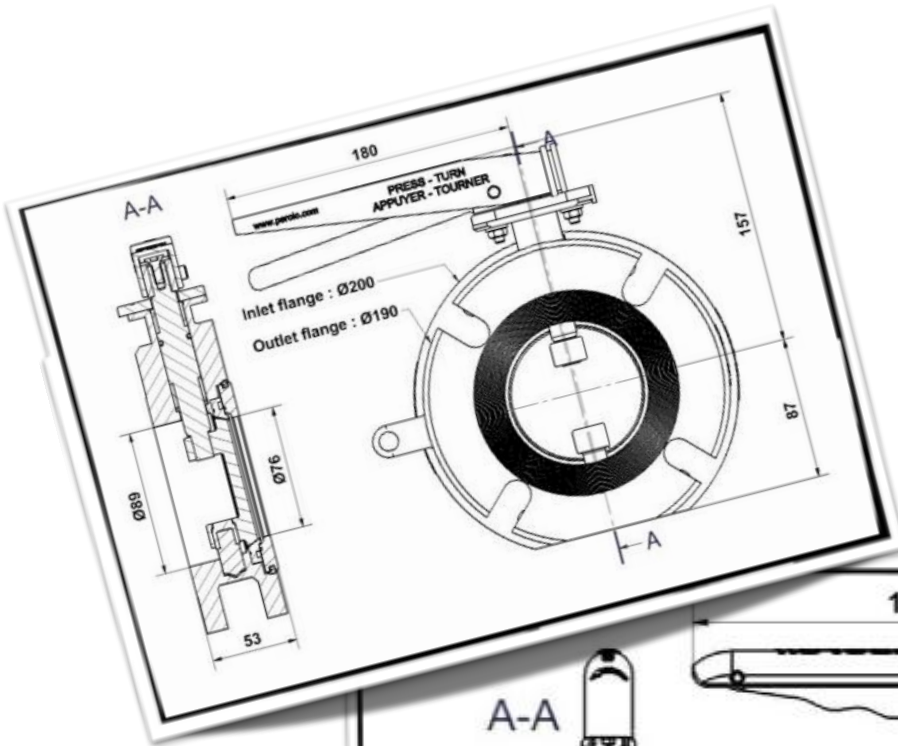




Item	Description	TSI P/N	MFG. P/N	Price
	<b>Ball seals kit:</b>			
10	2 x ball seals (PTFE or PEEK)	BVD80FL-SK1A/01	11 12 52 92 00	
12	O-ring (FEP encapsulated)			
13	O-ring (Viton)			
	<b>Ball kit:</b>			
11	Ball	BVD80FL-SP3A/01	11 12 52 91 00	
9	<b>Spindle</b>	BVD80FL-SP4A/01	11 12 52 00 24	
	<b>Spindle seals kit:</b>			
6	Bearing bush (PTFE)	BVD80FL-SK2A/01	11 12 52 93 00	
7	O-ring (FEP encapsulated)			
8	Spindle seal (PTFE)			
	<b>Spindle kit:</b>			
9	Spindle (stainless steel)	BVD80FL-SK14B/01	11 12 71 95 00	
1	2 x nuts (stainless steel)			
2	Washer (stainless steel)			
4	2 x elastic washers (stainless steel)			
5	Washer (stainless steel)			
	<b>Handle kit:</b>			
16	Handle	BVD80FL-SK3A/01	11 12 71 97 00	
1	2 x nuts			
2	Washer (stainless steel)			
	<b>Clamping ring kit:</b>			
14	Clamping ring (stainless steel)	BVD80FL-SK6B/01	11 12 71 90 00	
15	6 x screw M16 (stainless steel)			
	<b>Tools kit:</b>			
A	Spindle assembly tool	Available upon request	11 12 71 96 00	
B	O-ring assembly tool			








# Butterfly Valves

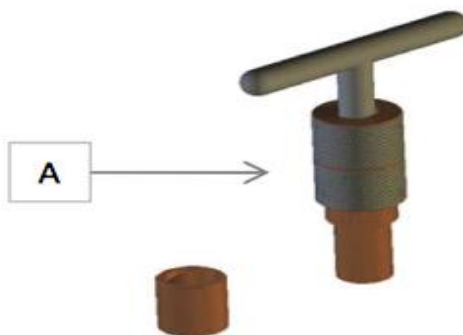
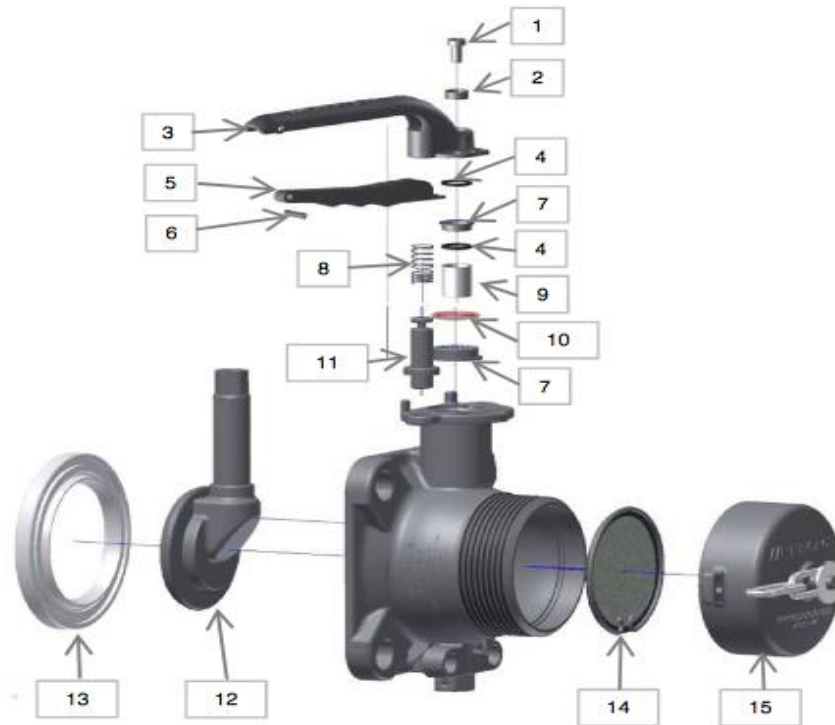




# Butterfly Valves

Item	Description	TSI P/N	MFG. P/N	Price
	<b>2" TANKFLY™ BSP BUTTERFLY VALVE MKII</b>	BF200TF-4H-BP-SS/01B	TT5X7T1CS11	
	<b>2" TANKFLY™ CLAMPED BUTTERFLY VALVE</b>	BF200CL-00-00-SS/01	TP5X7T11	
	<b>2" TANKFLY™ FLANGED BUTTERFLY VALVE MK II</b>	BF200FL-4H-SL-SS/01B	TF5X7T11S11	
	<b>3" TANKFLY™ CLAMPED BUTTERFLY VALVE</b>	BF300CL-00-00-SS/01	11 12 62 00 00	
	<b>3" TANKFLY™ FLANGED BUTTERFLY VALVE – 4/6 HOLE PATTERN</b>	BF300FL-46-SL-SS/01	11 12 31 00 00	

## 2" TANKFLY™ MK II Airline BSP Butterfly Valve



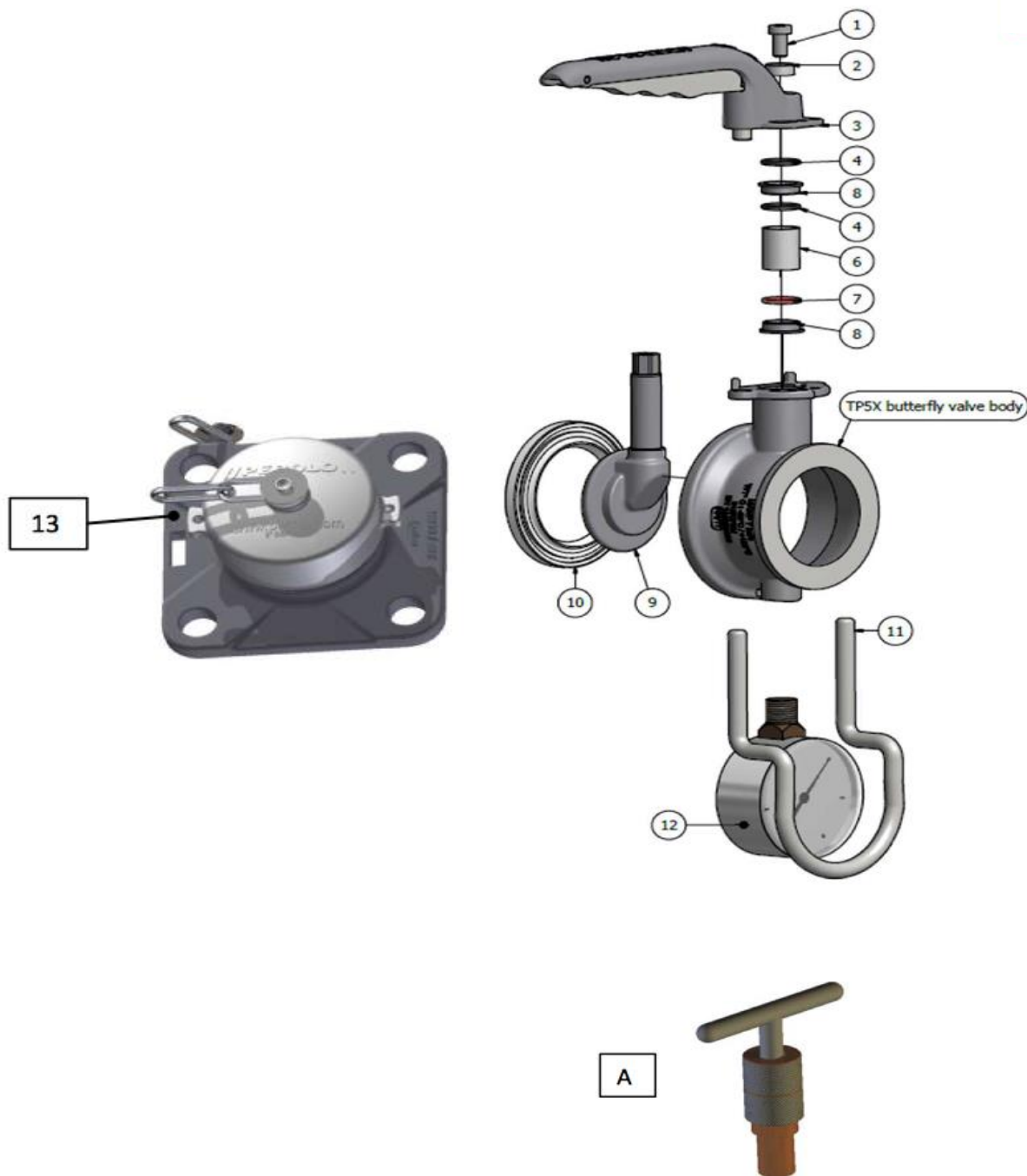
Description	TSI P/N	MFG. P/N	Price
<b>2" TANKFLY™ BSP BUTTERFLY VALVE MKII</b>	BF200TF-4H-BP-SS/01B	TT5X7T1CS11	

Description	TSI P/N	MFG. P/N	Price
<b>2" TANKFLY™ BSP BUTTERFLY VALVE MKII STUD KIT</b>	FA-KT-QXD4-10X035	12 91 99 00 00	



Item	Description	TSI P/N	MFG. P/N	Price
	<b>Handle Kit:</b>			
1	Screw M6-10 (SS)	BF200XX-SK15B/01	11 17 11 92 00	
2	Washer (SS)			
3	Handle (SS)			
4	2 x O-ring (Viton)			
5	Operating Lever (SS)			
6	Pin (SS)			
8	Spring (SS)			
11	Latch (SS)			
	<b>Seals Kit:</b>			
4	2 x O-ring (Viton)	BF200XX-SK17B/01	11 17 11 91 00	
7	Bearing (SS)			
9	Spacer (PTFE)			
10	O-ring (FEP encapsulated Silicone)			
13	Closure plate seal (PTFE)			
	<b>Closure plate seal kit:</b>	BF200XX-SP1B/01	11 17 11 90 01	
13	Closure plate seal (PTFE)			
	<b>10 x Closure plate seal kit:</b>	N/A	11 17 11 90 10	
13	10 x Closure plate seal (PTFE)			
	<b>Closure plate kit:</b>			
1	Screw M6-10 (SS)	BF200XX-SK11B/01	11 17 11 90 00	
2	Washer (SS)			
4	2 x O-ring (Viton)			
7	Bearing (SS)			
9	Spacer (PTFE)			
10	O-ring (FEP encapsulated Silicone)			
12	Closure plate (SS)			
13	Closure plate seal (PTFE)			
	<b>2" BSP CAP kit:</b>			
15	2" BSP CAP & chain (SS)	DC200-BSP-316	11 17 11 20 00	
15	Gasket (PTFE)			
	<b>Gauze kit:</b>			
14	Gauze filter S.A. (SS)	BF200XX-SK4A/01	11 12 03 94 00	
	<b>Special tool for valve assembly</b>	On request	AS188	

## 2" TANKFLY™ Clamped Butterfly Valve



Description	TSI P/N	MFG. P/N	Price
<b>2" TANKFLY™ CLAMPED BUTTERFLY VALVE</b>	BF200CL-00-00-SS/01	TP5X7T11	

Description	TSI P/N	MFG. P/N	Price
<b>2" TANKFLY™ CLAMPED BUTTERFLY STUD KIT</b>	FA-KT-QXD4-16X075	11 17 07 90 00	





Item	Description	TSI P/N	MFG. P/N	Price
	<b>Handle Kit:</b>			
1	Screw M6-10 (SS)	BF200XX-SK15B/01	11 17 11 92 00	
2	Washer (SS)			
3	Handle (SS)			
	<b>Seals Kit:</b>			
4	O-ring (Viton)	BF200XX-SK17B/01	11 17 11 91 00	
8	Bearing (SS)			
6	Spacer (PTFE)			
7	O-ring (FEP encapsulated Silicone)			
10	Closure plate seal (PTFE)			
	<b>Closure plate seal kit:</b>			
10	Closure plate seal (PTFE)	BF200XX-SP1B/01	11 17 11 90 01	
	<b>10 x Closure plate seal kit:</b>			
10	10 x Closure plate seal (PTFE)	N/A	11 17 11 90 10	N/A
	<b>Closure plate kit:</b>			
1	Screw M6-10 (SS)	BF200XX-SK11B/01	11 17 11 90 00	
2	Washer (SS)			
4	O-ring (Viton)			
8	Bearing (SS)			
6	Spacer (PTFE)			
7	O-ring (FEP encapsulated Silicone)			
9	Closure plate (SS)			
10	Closure plate seal (PTFE)			
	<b>Outlet nozzle kit:</b>			
13	Outlet nozzle with cap and chain	On request	11 17 15 20 00	
11	<b>Gauge protection</b>	On request	11 17 15 00 01	
12	<b>Pressure gauge</b> , brass internal parts, stainless steel	On request	70 21 02 00 22	
	external parts, 1/4" BSP male connection, 0-6 bar			
A	<b>Special tool for valve assembly</b>	On request	AS188	

# 2" TANKFLY™ MK II Airline Flanged Butterfly Valve



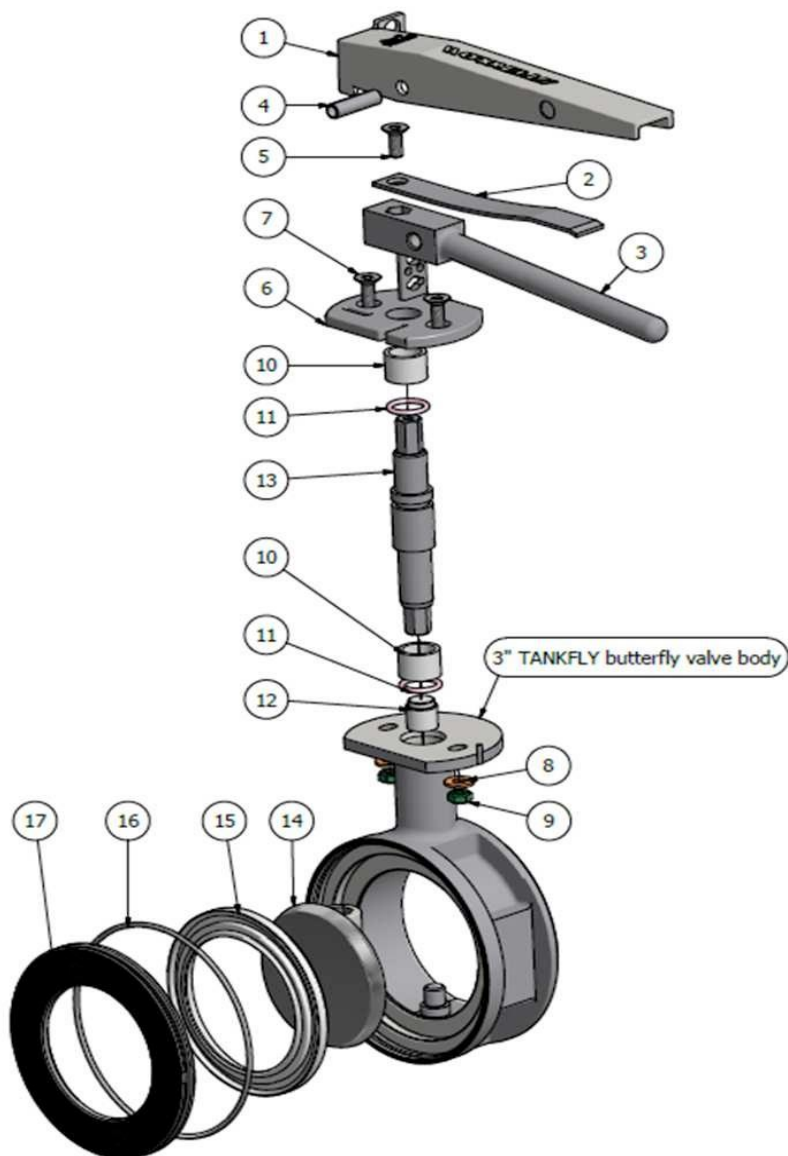
Description	TSI P/N	MFG. P/N	Price
<b>2" TANKFLY™ FLANGED BUTTERFLY VALVE</b>	BF200FL-4H-SL-SS/01B	TF5X7T11S11	

Description	TSI P/N	MFG. P/N	Price
<b>2" TANKFLY™ FLANGED BUTTERFLY STUD KIT</b>	FA-KT-QXD4-16X045	11 91 13 91 00	



Item	Description	TSI P/N	MFG. P/N	Price
	<b>Handle Kit:</b>			
1	Screw M6-10 (SS)	BF200XX-SK15B/01	11 17 11 92 00	
2	Washer (SS)			
3	Handle (SS)			
4	2 x O-ring (Viton)			
5	Operating Lever (SS)			
6	Pin (SS)			
8	Spring (SS)			
11	Latch (SS)			
	<b>Seals Kit:</b>			
4	2 x O-ring (Viton)	BF200XX-SK17B/01	11 17 11 91 00	
7	Bearing (SS)			
9	Spacer (PTFE)			
10	O-ring (FEP encapsulated Silicone)			
13	Closure plate seal (PTFE)			
	<b>Closure plate seal kit:</b>	BF200XX-SP1B/01	11 17 11 90 01	
13	Closure plate seal (PTFE)			
	<b>10 x Closure plate seal kit:</b>	N/A	11 17 11 90 10	
13	10 x Closure plate seal (PTFE)			
	<b>Closure plate kit:</b>			
1	Screw M6-10 (SS)	BF200XX-SK11B/01	11 17 11 90 00	
2	Washer (SS)			
4	2 x O-ring (Viton)			
7	Bearing (SS)			
9	Spacer (PTFE)			
10	O-ring (FEP encapsulated Silicone)			
12	Closure plate (SS)			
13	Closure plate seal (PTFE)			
	<b>Gauze kit:</b>	BF200XX-SK4A/01	11 12 03 94 00	
14	Gauze filter S.A. (SS)			
	<b>Special tool for valve assembly</b>	On request	AS188	

## 3" TANKFLY™ Clamped Butterfly Valve



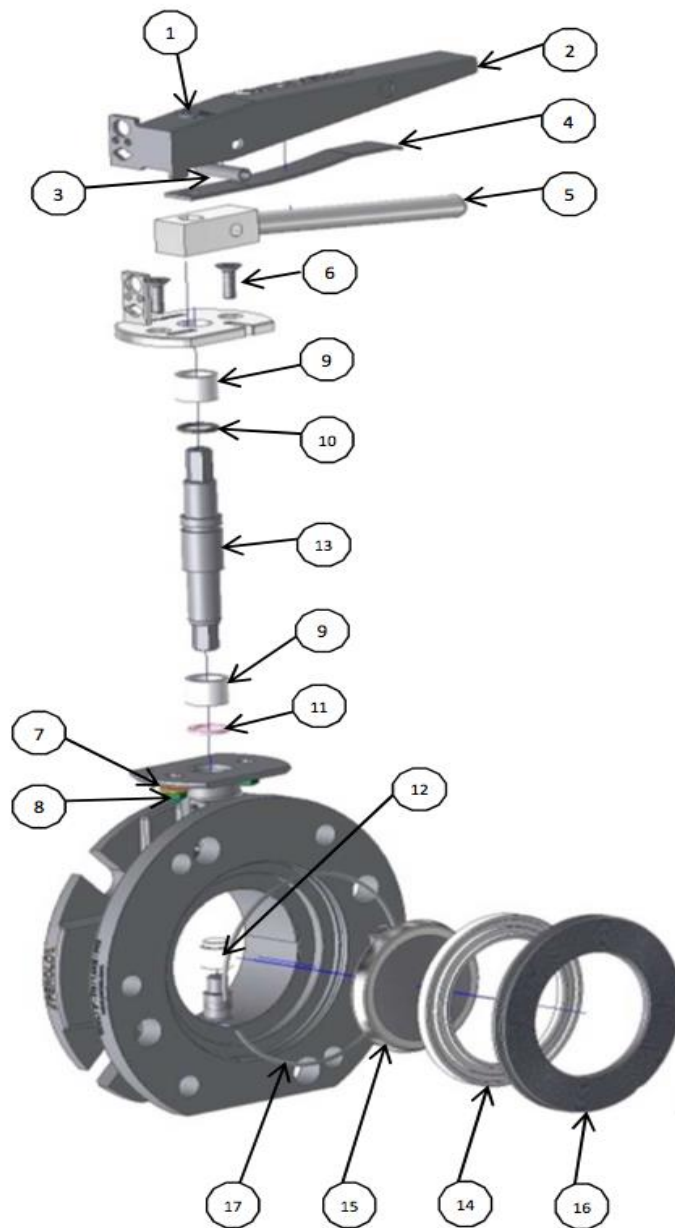
Description	TSI P/N	MFG. P/N	Price
<b>3" TANKFLY™ CLAMPED BUTTERFLY VALVE</b>	BF300CL-00-00-SS/01	11 12 62 00 00	

Description	TSI P/N	MFG. P/N	Price
<b>3" TANKFLY™ CLAMPED BUTTERFLY BOLT KIT</b>	FA-KT-QXB4-16X100	12 85 57 92 00	
<b>3" TANKFLY™ CLAMPED BUTTERFLY NYLON SPACER</b>	BF300CL-SK8A/01	12 85 57 91 00	



Item	Description	TSI P/N	MFG. P/N	Price
	<b>Handle Kit:</b>			
5	1 x screw M6-16, 304/1.4301	BF300XX-SK15A/01	11 12 62 90 00	
1	1 x handle, 316/1.4401			
4	1 x split pin, 304/1.4301			
2	1 x plane spring, 304/1.4301			
3	1 x handle lever, 316/1.4401			
	<b>Spindle Seals Kit:</b>			
5	1 x screw M6-16, 304/1.4301	BF300XX-SK17A/01	11 12 62 91 00	
4	1 x split pin, 304/1.4301			
7	2 x screws M6-20, 304/1.4301			
8	2 x washers, 304/1.4301			
9	2 x nuts, 316/1.4401			
10	2 x spindle bush, PTFE & glass 25%			
11a	1 x O-ring, PTFE & silicon			
11b	1 x O-ring, Viton			
12	1 x closure plate bush, PTFE & glass 25%			
13	Spindle	BF300XX-SP4A/01	12 85 57 97 00	
	<b>Closure plate seal:</b>			
15	1 x Closure plate seal, PTFE	BF300XX-SP1A/01	12 85 57 94 00	
	<b>Closure plate kit:</b>			
14	Closure plate, CF3M/1.4408	BF300XX-SP17A/01	12 85 57 93 00	
12	Closure plate bush, PTFE & glass 25%			
	<b>Spherical Closure plate kit:</b>			
14	Closure plate, CF3M/1.4408	BF300CL-SK11A/01	11 12 62 93 00	
12	Closure plate bush, PTFE & glass 25%			
	<b>Seal clamp kit:</b>			
17	Seal clamp, 316L/1.4404	BF300XX-SP18A/01	12 85 57 95 00	
16	Ring, 302 rubber			

## 3" TANKFLY™ Flanged Butterfly Valve



Description	TSI P/N	MFG. P/N	Price
<b>3" TANKFLY™ FLANGED BUTTERFLY VALVE</b>	BF300FL-46-SL-SS/01	11 12 31 00 00	

Description	TSI P/N	MFG. P/N	Price
<b>3" TANKFLY™ FLANGED BUTTERFLY 4 HOLE STUD KIT</b>	FA-KT-QXD4-16X050	17 12 10 96 00	
<b>3" TANKFLY™ FLANGED BUTTERFLY 6 HOLE STUD KIT</b>	FA-KT-QXD6-12X050	N/A	

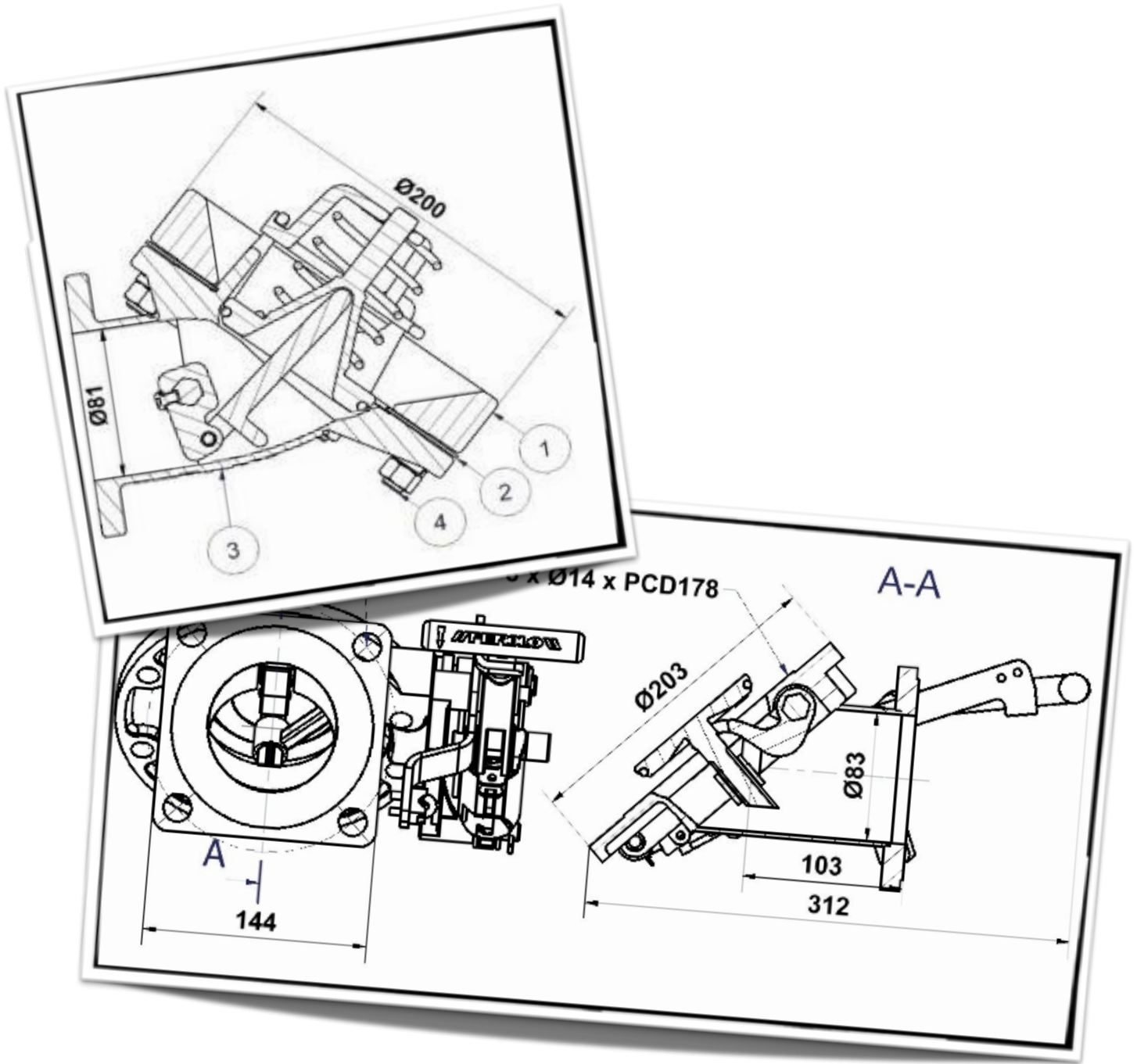


Item	Description	TSI P/N	MFG. P/N	Price
	<b>Handle Kit:</b>			
1	1 x screw M6-16, 304/1.4301	BF300XX-SK15A/01	11 12 62 90 00	
2	1 x handle, 316/1.4401			
3	1 x split pin, 304/1.4301			
4	1 x plane spring, 304/1.4301			
5	1 x handle lever, 316/1.4401			
	<b>Spindle Seals Kit:</b>			
1	1 x screw M6-16, 304/1.4301	BF300XX-SK17A/01	11 12 62 91 00	
3	1 x split pin, 304/1.4301			
6	2 x screws M6-20, 304/1.4301			
7	2 x washers, 304/1.4301			
8	2 x nuts, 316/1.4401			
9	2 x spindle bush, PTFE & glass 25%			
10	1 x O-ring, PTFE & silicon			
11	1 x O-ring, Viton			
12	1 x closure plate bush, PTFE & glass 25%			
13	Spindle			
	<b>Closure plate seal:</b>			
14	1 x Closure plate seal, PTFE	BF300XX-SP1A/01	12 85 57 94 00	
	<b>Closure plate kit:</b>			
15	Closure plate, CF3M/1.4408	BF300XX-SP17A/01	12 85 57 93 00	
12	Closure plate bush, PTFE & glass 25%			
	<b>Seal clamp kit:</b>			
16	Seal clamp, 316L/1.4404	BF300XX-SP18A/01	12 85 57 95 00	
17	Ring, 302 rubber			





# Foot Valves



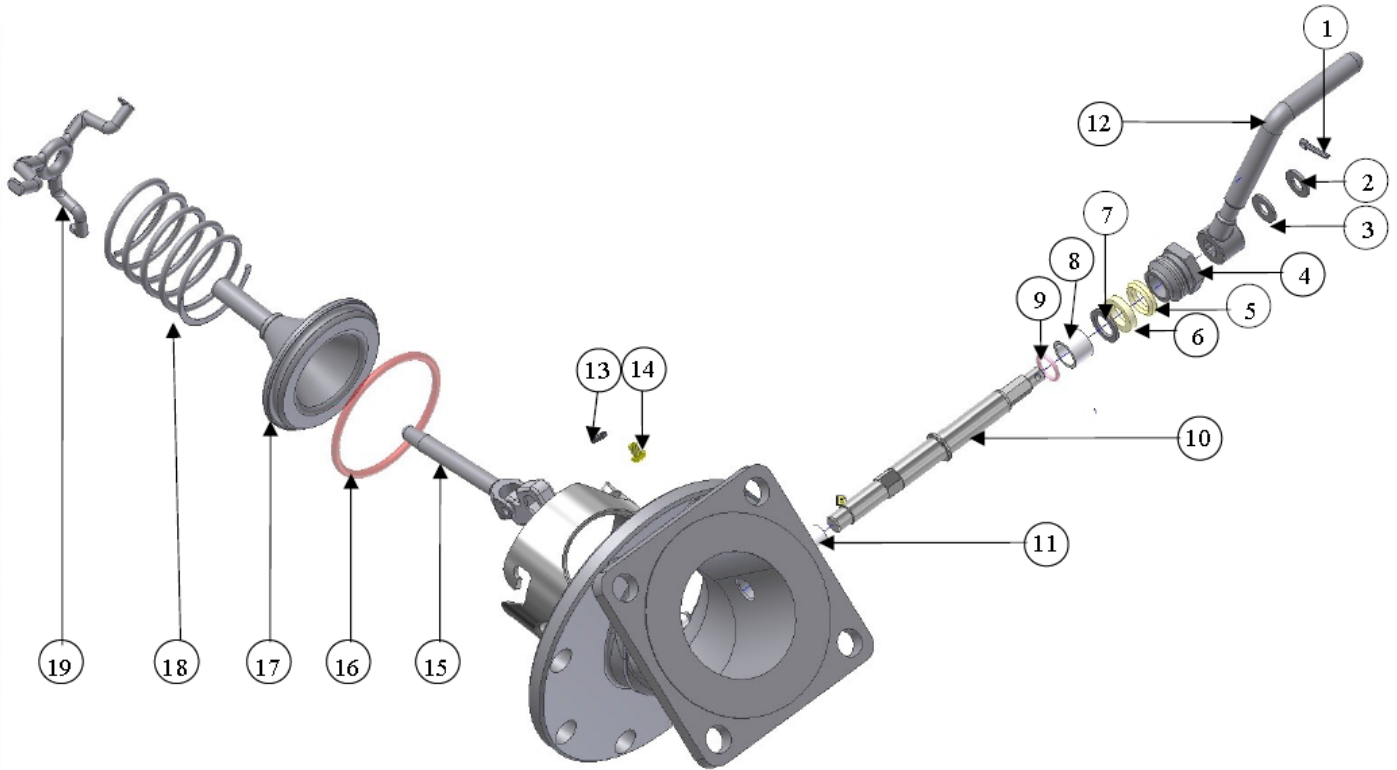


# Foot Valves



Item	Description	TSI P/N	MFG. P/N	Price
1	3" 30° NEATCO™ MKII FOOT VALVE	FV300NCO-30-115-DD/01B	NT33115B1	
2	3" 45° NEATCO™ MKII FOOT VALVE	FV300NCO-45-115-8H/01B	NT34115A1	
3	3" 45° TWINCO™ FOOT VALVE	FV300TCO-45-000-8H/01A	VTCS34SCR	
4	3" 30° NEATFLOW™ MKIII FOOT VALVE	FV300NFL-30-000-8H/01C	NFL33AX1	
5	3" 45° NEATFLOW™ MKIII FOOT VALVE	FV300NFL-45-000-8H/01C	NFL34AX1	
6	3" 45° TWINFLOW™ FOOT VALVE	FV300TFL-45-000-8H/01A	VTFS34CR	

# 3" NEATCO™ MKI Foot Valve

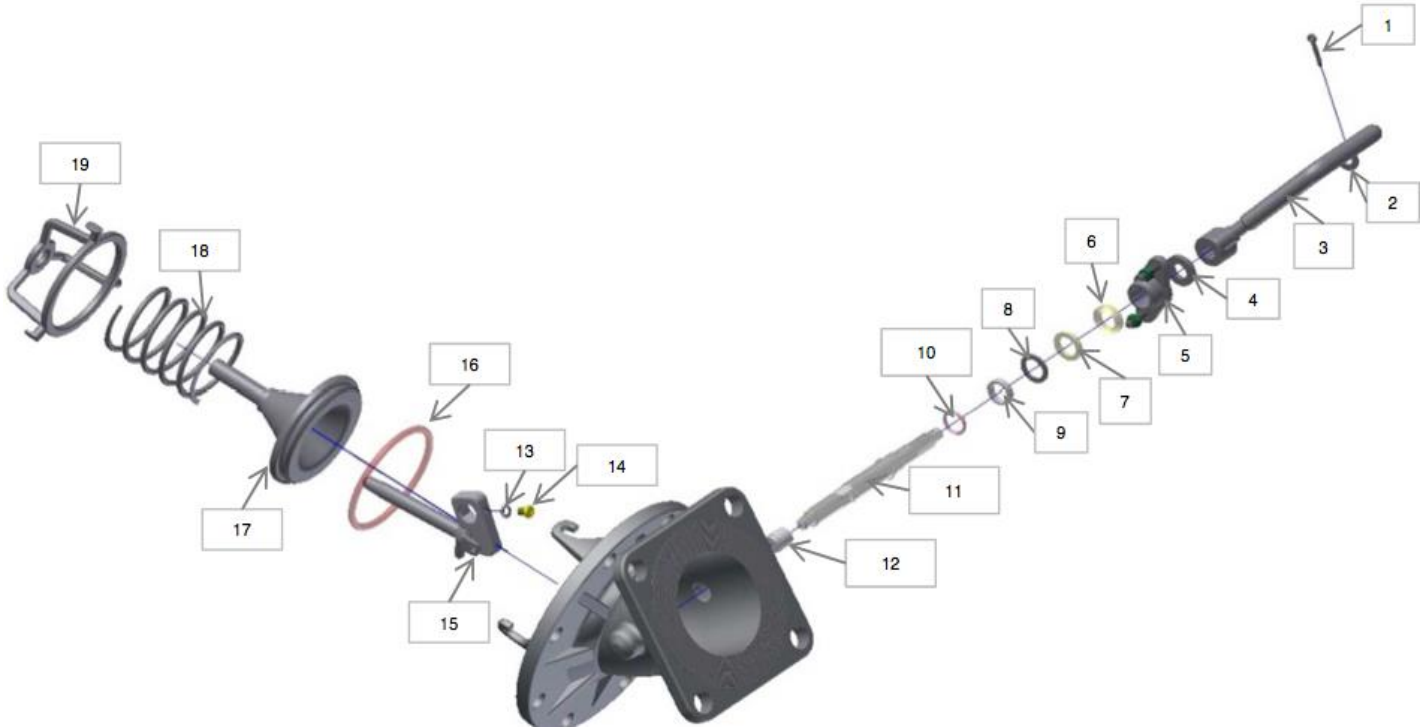


Description	TSI P/N	MFG. P/N	Price
<b>3" NEATCO™ MKI FOOT VALVE STUD KIT</b>	FA-KT-QXD8-NCOFV	12 91 61 94 00	



Item	Description	TSI P/N	MFG. P/N	Price
10	Spindle, 316L/1.4404	FV300NCO-SP4A/01	11 11 14 99 00	
1-3 5-6 7-8 9-11	Spindle seals kit: (Without spindle)	FV300NCO-SK2A/01	12 85 38 91 00	
	<b>Spindle seals kit:</b>			
11	Spindle bush, PTFE & 25% Glass			
10	Spindle, 316L/1.4404			
9	O-ring, FEP/Silicon			
8	Spindle bush, PTFE			
7	Packing ring, 316L/1.4404	N/A	11 11 14 99 07	
6	Packing gland Part Two, PTFE			
5	Packing gland Part One, PTFE			
4	Stuffing Clamp, 316L/1.4404			
2	Washer, 304/1.4301			
1	Split pin, 316L, 1.4404			
	<b>Pushrod kit:</b>			
15	Crank & pushrod, 316L/1.4404	FV300NCO-SK19A/01	11 16 01 92 00	
14	M6-8 screw, 304/1.4301			
13	M6 washer, 316L/1.4404			
	<b>Bayonet cap:</b>			
19	Bayonet cap, 316L/1.4404	FV300NCO-SP10A/01	11 11 14 00 02	
	<b>Spring:</b>			
18	Spring, 304L/1.4307	FV300NCO-SP11A/01	12 85 38 00 02	
	<b>Poppet seal:</b>			
16	O-ring, FEP/Silicon	FV300XXX-SP9A/12	11 11 24 91 00	
	<b>Poppet kit:</b>			
17	Poppet, 316L/1.4404	FV300NCO-SK5A/01	11 11 14 97 00 MK2	
16	O-ring, FEP/Silicon			
	<b>Handle kit:</b>			
12	Handle, 316L	FV300NCO-SK3A/01	12 85 24 93 00	
1	Split pin			
2	Washer			
	<b>Remote control kit:</b>			
	Remote control lever			
	Rope clamp	FV300NCO-SK18B/01	11 16 28 91 00	
	Spring			
	Arresting bracket			
	<b>Outlet nozzle:</b>			
	3" Outlet nozzle, 316/1.4401	FLG300-4SLMB-316	12 85 69 00 00	
	<b>Outlet nozzle seal:</b>			
	Square seal, PTFE	GF300-90-SQ-CP-SL-146	12 91 42 00 00	
	<b>Outlet nozzle screw kit:</b>			
	4 x screw			
	4 x washer	On request	12 85 84 91 00	
	4 x nut			
	4 x washer			

## 3" NEATCO™ MKII Foot Valve



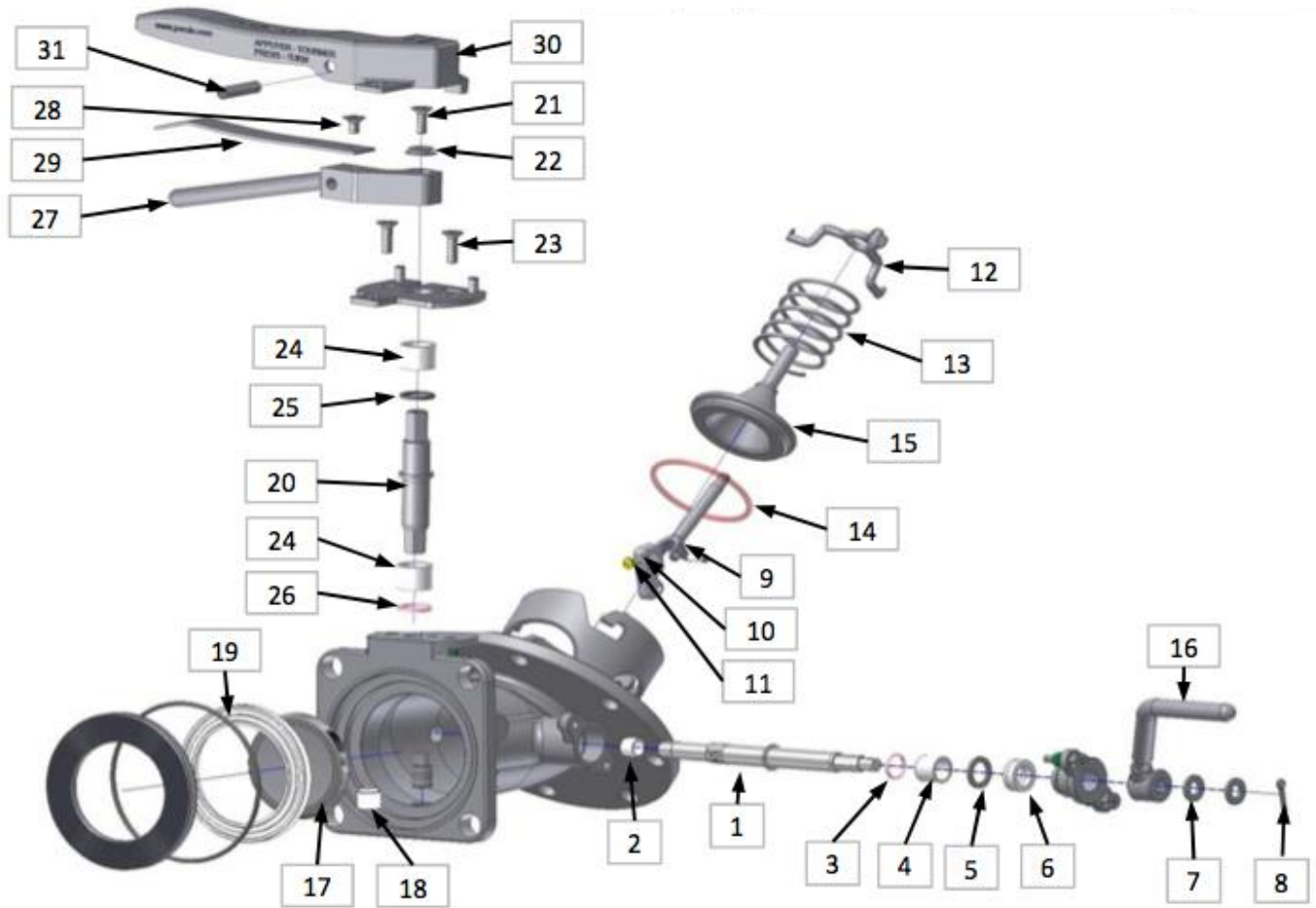
Description	TSI P/N	MFG. P/N	Price
<b>3" 30° NEATCO™ MKII FOOT VALVE</b>	FV300NCO-30-115-DD/01B	NT33115B1	
<b>3" 45° NEATCO™ MKII FOOT VALVE</b>	FV300NCO-45-115-8H/01B	NT34115A1	

Description	TSI P/N	MFG. P/N	Price
<b>3" NEATCO™ MKII FOOT VALVE STUD KIT</b>	FA-KT-QXD8-NCOFV	12 91 61 94 00	



Item	Description	TSI P/N	MFG. P/N	Price
11	Spindle, 316L/1.4404	FV300NCO-SP4B/01	11 16 01 00 01	
	<b>Spindle seals kit:</b>			
12	Spindle bush, PTFE & 25% Glass			
10	O-ring, FEP/Silicon			
9	Spindle bush, PTFE			
7	Packing ring, 316L/1.4404	FV300NCO-SK2B/01	11 16 01 93 00	
6	Packing gland, PTFE			
4	Spacer, 316L/1.4404			
2	Washer, 304/1.4301			
1	Split pin, 316L, 1.4404			
	<b>Pushrod kit:</b>			
15	Crank & pushrod, 316L/1.4404	FV300NCO-SK19A/01	11 16 01 92 00	
14	M6-8 screw, 304/1.4301			
13	M6 washer, 316L/1.4404			
	<b>Bayonet cap:</b>			
19	Bayonet cap, 316L/1.4404	FV300NCO-SP10B/01	11 16 01 00 04	
	<b>Spring:</b>			
18	Spring, 304L/1.4307	FV300NCO-SP11A/01	12 85 38 00 02	
	<b>Poppet seal:</b>			
16	O-ring, FEP/Silicon	FV300XXX-SP9A/12	11 11 24 91 00	
	<b>Poppet kit:</b>			
17	Poppet, 316L/1.4404	FV300NCO-SK5A/01	11 11 14 97 00 MK2	
16	O-ring, FEP/Silicon			
	<b>Handle kit:</b>			
3	Handle, 316L	FV300NCO-SK3A/01	12 85 24 93 00	
1	Split pin			
2	Washer			
	<b>Remote control kit:</b>			
	Remote control lever			
	Rope clamp	FV300NCO-SK18B/01	11 16 28 91 00	
	Spring			
	Arresting bracket			
	<b>Outlet nozzle:</b>			
	3" Outlet nozzle, 316/1.4401	FLG300-4SLMB-316	12 85 69 00 00	
	<b>Outlet nozzle seal:</b>			
	Square seal, PTFE	GF300-90-SQ-CP-SL-146	12 91 42 00 00	
	<b>Outlet nozzle screw kit:</b>			
	4 x screw			
	4 x washer	On request	12 85 84 91 00	
	4 x nut			
	4 x washer			

# 3" TWINCO™ Foot Valve



Description	TSI P/N	MFG. P/N	Price
<b>3" 45° TWINCO™ FOOT VALVE</b>	FV300TCO-45-000-8H/01A	VTCS34SCR	

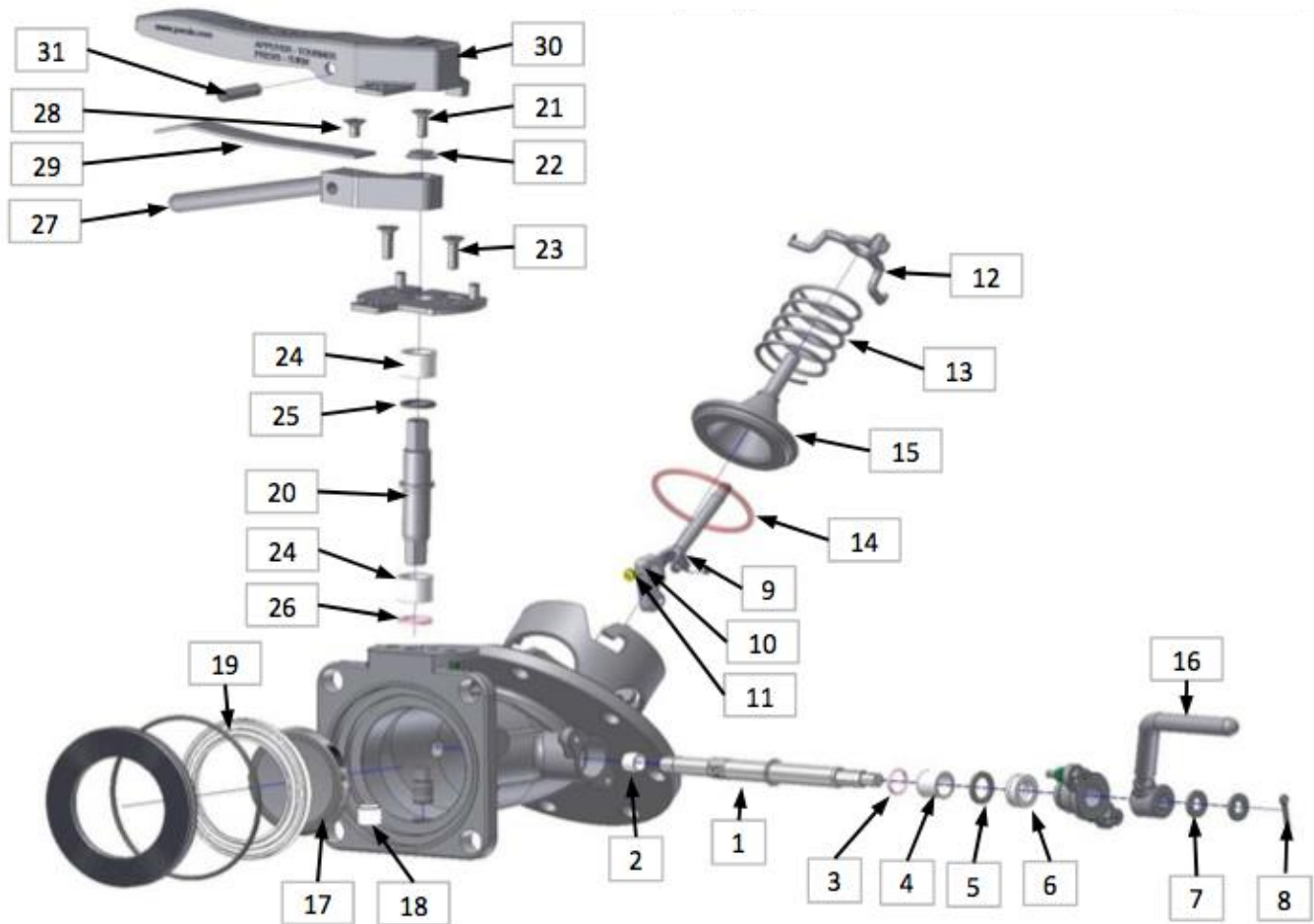
Description	TSI P/N	MFG. P/N	Price
<b>3" 45° TWINCO™ FOOT VALVE STUD KIT</b>	FA-KT-QXD8-NCOFV	12 91 61 94 00	





Item	Description	TSI P/N	MFG. P/N	Price
1	Spindle, 316L/1.4404	FV300TCO-SP4A/01	11 11 14 00 05	
	<b>Spindle seals kit:</b>			
2	Spindle bush, PTFE			
3	O-ring, FEP/Silicon			
4	Spindle bush, PTFE & glass 25%			
5	Packing ring, 316L/1.4404			
6	Packing gland, PTFE	FV300NCO-SK2A/01	12 85 38 91 00	
7	2 x washer, 304/1.4301			
8	Split pin, 316L, 1.4404			
	<b>Pushrod kit:</b>			
9	Crank & pushrod, 316L/1.4404	FV300NCO-SK19A/01	11 16 01 92 00	
10	M6-8 screw, 304/1.4301			
11	M6 washer, 316L/1.4404			
	<b>Bayonet cap:</b>			
12	Bayonet cap, 316L/1.4404	FV300NCO-SP10A/01	11 11 14 00 02	
	<b>Spring:</b>			
13	Spring, 304L/1.4307	FV300NCO-SP11A/01	12 85 38 00 02	
	<b>Poppet seal:</b>			
14	O-ring, FEP/Silicon	FV300XXX-SP9A/12	11 11 24 91 00	
	<b>Poppet kit:</b>			
15	Poppet, 316L/1.4404	FV300NCO-SK5A/01	1111149700MK2	
14	O-ring, FEP/Silicon			
	<b>Handle kit:</b>			
16	Handle, 316L	FV300NCO-SK3A/01	12 85 24 93 00	
8	Split pin			
7	Washer			
	<b>Remote control kit:</b>			
	Kick to close			
	Arresting bracket			
	Spring			
	M5-15 screw	FV300TCO-SK18A/01	11 11 82 91 00	
	Nut			
	Washer			
	<b>Closure plate kit:</b>			
17	Closure plate	BF300XX-SP17A/01	12 85 57 93 00	
18	Closure plate bush, PTFE & glass 25%			
	<b>Closure plate seal:</b>			
		BF300XX-SP1A/01	12 85 57 94 00	
19	Closure plate seal			
	<b>Butterfly valve Spindle:</b>			
		FV300TWN-SP4A/01	11 12 10 91 00	
20	Spindle			

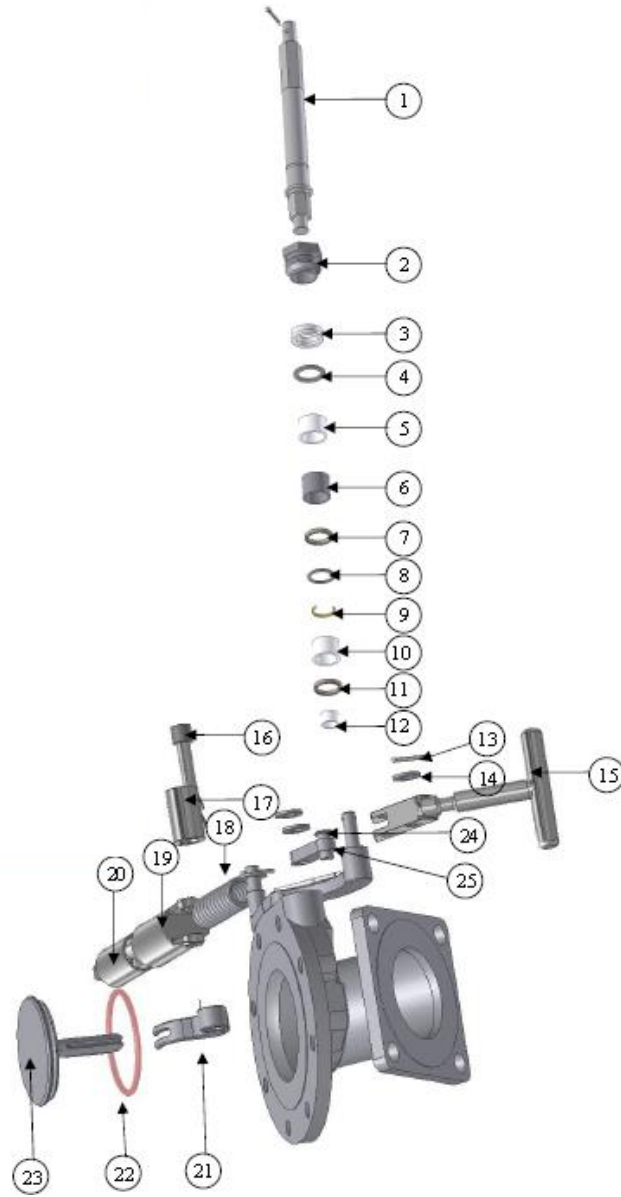
### 3" TWINCO™ Foot Valve (cont'd)





Item	Description	TSI P/N	MFG. P/N	Price
	<b>Butterfly valve Spindle seals kit:</b>			
21	Screw M6-16, 304/1.4301	FV300TWN-SK2A/01	17 12 01 91 00	
22	Ring washer, 304/1.4301			
23	2 x screws M6-20, 304/1.4301			
	2 x nuts, 316/1.4401			
	2 x washers, 304/1.4301			
24	2 x spindle bush, PTFE & glass 25%			
25	O-rings, PTFE & silicon OR Viton			
26	O-rings, PTFE & silicon OR Viton			
18	Closure plate bush, PTFE & glass 25%			
	<b>Butterfly valve handle kit:</b>			
27	Handle lever, 316/1.4401	FV300TWN-SK3A/01	11 11 83 91 00	
21	Screw M6-16, 304/1.4301			
22	Ring washer, 304/1.4301			
28	Screw M6-10, 304/1.4301			
29	Plane spring 304/1.4301			
30	Handle, 316L/1.4404			
31	Split pin, 316L, 1.4301			
	<b>Outlet nozzle:</b>			
	3" Outlet nozzle, 316/1.4401	FLG300-4SLMB-316	12 85 69 00 00	
	<b>Outlet nozzle seal:</b>			
	Square seal, PTFE	GF300-90-SQ-CP-SL-146	12 91 42 00 00	
	<b>Outlet nozzle seal kit:</b>			
	5 x Square seal, PTFE	On request	12 91 42 00 00	
	<b>Outlet nozzle screw kit:</b>			
	4 x screw	On request	12 85 84 91 00	
	4 x washer			
	4 x nut			
	4 x washer			

# 3" NEATFLOW™ MKII Foot Valve



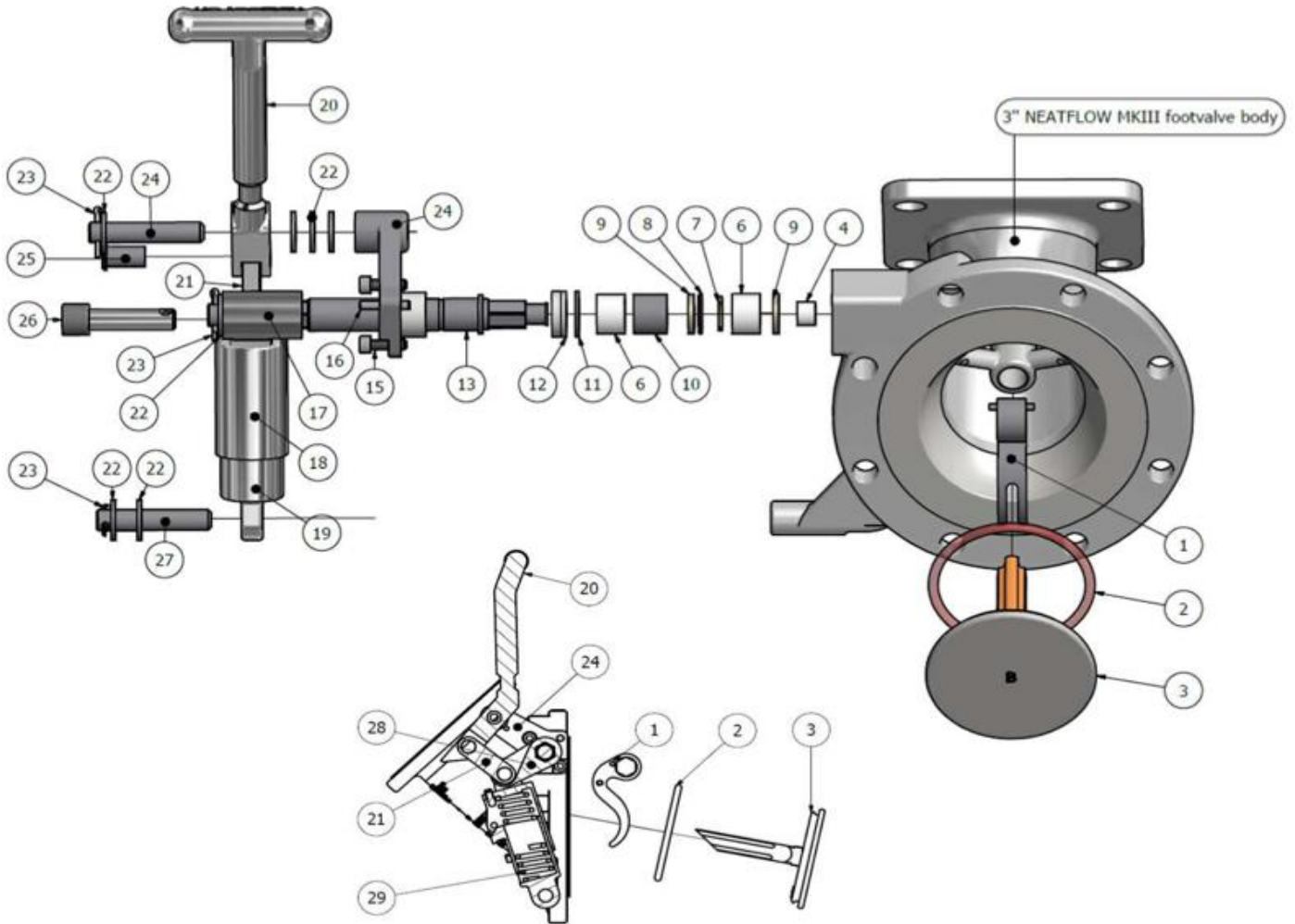
Description	TSI P/N	MFG. P/N	Price
<b>3" 45° NEATFLOW™ MKII FOOT VALVE</b>	FV300NFL-45-000-8H/01B	NF34A1	
<b>3" 30° NEATFLOW™ MKII FOOT VALVE</b>	FV300NFL-30-000-8H/01B	NF33A1	

Description	TSI P/N	MFG. P/N	Price
<b>3" NEATFLOW™ MKII FOOT VALVE STUD KIT</b>	FA-KT-QXD8-NFLFV	11 11 27 93 00	



Item	Description	TSI P/N	MFG. P/N	Price
1	Spindle 316L/1.4404	FV300NFL-SP4B/01	11 11 14 99 11	
	<b>Spindle seals kit:</b>			
2	Stuffing clamp (316L/1.4404)			
3	Packing (PTFE/Grapite)			
4	Packing ring (316L/1.4404)			
5	Spindle bush, PTFE & 25% glass			
6	Spacer, 316L/1.4404	FV300NFL-SK2A/01	11 11 24 95 00	
7	Elastic Gasket, Ekonol / S. S.			
8	Stop ring, 316L/1.4404			
9	Elastic ring, 316L/1.4404			
10	Spindle bush, PTFE & 25% glass			
11	Elastic Gasket, Ekonol / S. S.			
12	Spindle bush, PTFE & 25% glass			
	<b>Handle kit including:</b>			
13	Split pin (316L/1.4404)			
14	Washer (316L/1.4404)	FV300NFL-SK3A/01	11 11 24 93 00	
15	Handle (316L/1.4404)			
24	Roller Spindle (304L/1.4307)			
25	Connecting rod (316L/1.4404)			
	<b>MKII Spring system kit including:</b>			
16	Removable shaft, 316L/1.4404			
17	Drive yoke (316/1.4408)	FV300NFL-SK9B/01	11 11 14 99 12	
18	Spring (Stainless Steel)			
19	Female MK2 casting, 316/1.4409			
20	Male MK2 casting, 316/1.4409			
	<b>Cam:</b>			
21	Cam (316/1.4409)	FV300NFL-SP12B/01	11 11 24 99 02	
	<b>Poppet seal:</b>			
22	Poppet seal (FEP/ Silicone)	FV300XXX-SP9A/12	11 11 24 91 00	
	<b>Poppet kit including:</b>			
22	Poppet seal (FEP/ Silicone)	FV300NFL-SK5B/01	11 11 27 92 00	
23	Poppet (316/1.4409)			
	<b>Poppet &amp; Cam kit including:</b>			
21	Cam (316/1.4409)	N/A	11 11 27 95 00	
22	Poppet seal (FEP/ Silicone)			
23	Poppet (316/1.4409)			

## 3" NEATFLOW™ MKIII Foot Valve



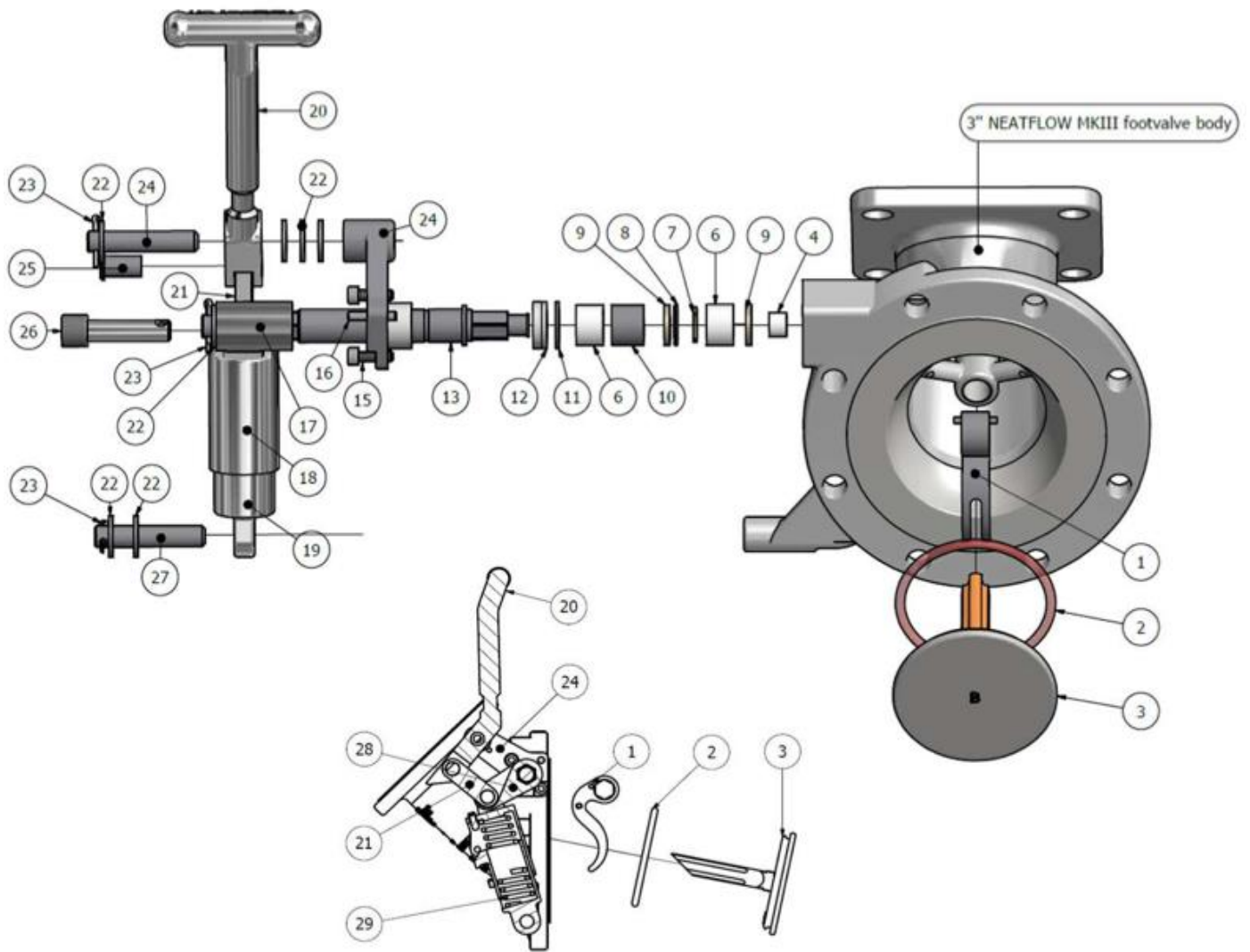
Description	TSI P/N	MFG. P/N	Price
<b>3" 45° NEATFLOW™ MKIII FOOT VALVE</b>	FV300NFL-45-000-8H/01C	NL34AX1	
<b>3" 30° NEATFLOW™ MKIII FOOT VALVE</b>	FV300NFL-30-000-8H/01C	NL33AX1	

Description	TSI P/N	MFG. P/N	Price
<b>3" NEATFLOW™ MKIII FOOT VALVE STUD KIT</b>	FA-KT-QXD8-NFLFV	11 11 27 93 00	



Item	Description	TSI P/N	MFG. P/N	Price
13	Spindle 316L/1.4404	FV300NFL-SP4C/01	17 11 25 00 01	
	<b>Spindle seals kit:</b>			
4	Spindle bush, PTFE & 25% glass			
9	2 x Elastic Gasket, Ekonol / S. S.			
6	2 x Spindle bush, PTFE & 25% glass			
7	Elastic ring 316L/1.4404			
8	Stop ring, 316L/1.4404	FV300NFL-SK2A/01	11 11 24 95 00	
10	Spacer, 316L/1.4404			
11	Packing gland, PTFE			
12	3 x Packing ring, 316L/1.4404			
22	Washer, S. S.			
21	V-pin, S. S.			
	<b>Lift fork:</b>			
		FV300NFL-SP12C/01	11 16 25 92 00	
1	Lift fork (type C), 316L/CF3M			
	<b>Poppet seal:</b>			
		FV300XX-SP9A/12	11 11 24 91 00	
2	O-ring, FEP/Silicon			
	<b>Poppet kit:</b>			
3	Poppet, 316L/1.4404	FV300NFL-SK5C/01	11 16 25 93 00	
2	O-ring, FEP/Silicon			
	<b>Congealing Poppet kit:</b>			
3	Conical poppet, 316/CF3M	On request	11 16 25 93 20	
2	O-ring, FEP/Silicon			
	<b>Spring system kit:</b>			
18	Female MK2 case, 316/CF8M			
19	Male MK2 casting, 316/CF8M			
26	Removable shaft, 316L/1.4404			
23	V-pin, S. S.			
22	2 x washer, S. S.	FV300NFL-SK9C/01	11 11 70 95 00	
27	Beta pin, S. S.			
29	Spring, S. S.			
	Chain, 316L/1.4404			
	M6-16 screw, 304/1.4301			

## 3" NEATFLOW™ MKIII Foot Valve (cont'd)

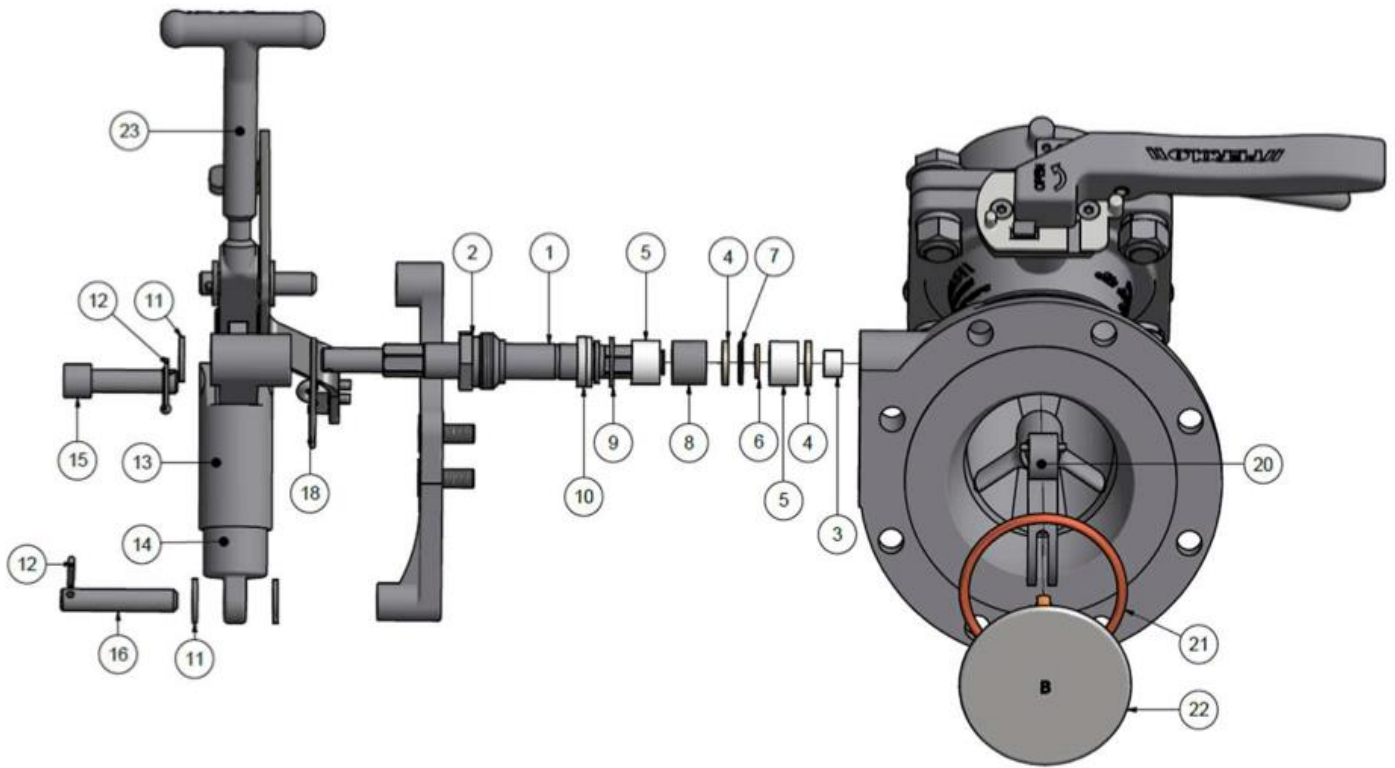




Item	Description	TSI P/N	MFG. P/N	Price
	<b>Handle kit:</b>			
20	Handle, 316L/1.4409	FV300NFL-SK3C/01	11 16 25 94 00	
21	Connecting rod, 316/CF8M			
28	Spindle roller, 304L/1.4307			
22	2 x Z12 washer, 316L/1.4404			
23	Split pin, 316L/1.4404			
	<b>L Handle kit:</b>			
20	L handle, 316L/1.4409	FV300NFL-SK3C-L/01	11 12 99 10 00	
21	Connecting rod, 316/CF8M			
28	Spindle roller, 304L/1.4307			
22	2 x Z12 washer, 316L/1.4404			
23	Split pin, 316L/1.4404			
	<b>Remote control kit:</b>			
	Remote control lever, 316L/1.4404	FV300NFL-SK18C/01	11 16 25 95 00	
	Spring, 302			
	M5 nut, 304L/1.4307			
	M6 washer, 316L/1.4404			
	Rope clamp, 316L/1.4404			

Upgrade KIT: Neatflow MK3 to MK4		TSI P/N	MFG. P/N	Price
		FV300NFL-SK21C/01	11 16 87 70 00	

# 3" TWINFLOW™ Foot Valve



Description	TSI P/N	MFG. P/N	Price
<b>3" TWINFLOW™ FOOT VALVE MK3</b>	FV300TFL-45-000-8H/01A	VTFS34CR	
<b>3" TWINFLOW™ FOOT VALVE MK4</b>	FV300TFL-45-000-8H/01B	VTXS34CW	

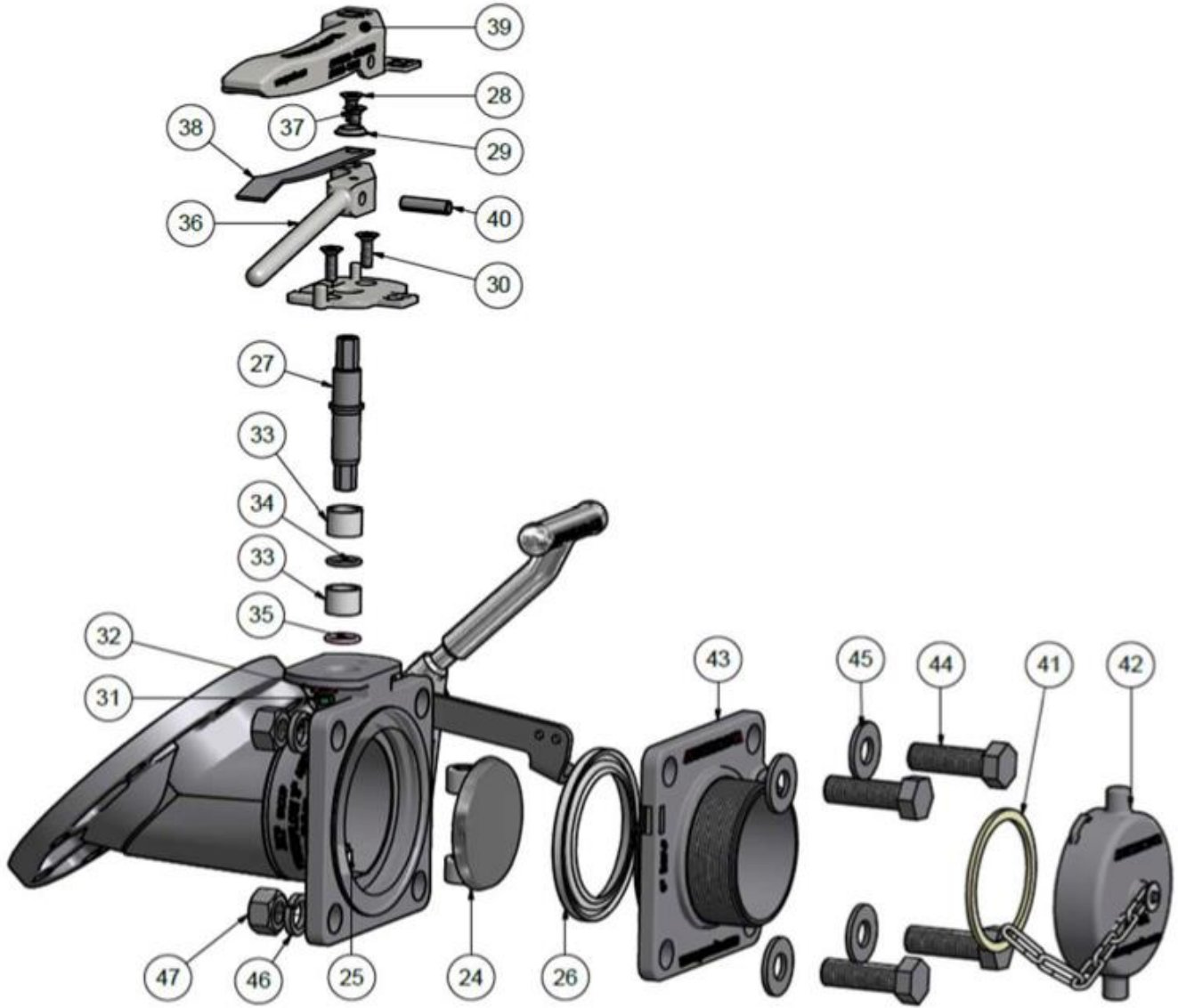
  

Description	TSI P/N	MFG. P/N	Price
<b>3" TWINFLOW™ FOOT VALVE STUD KIT</b>	FA-KT-QXD8-NFLFV	11 11 27 93 00	



Item	Description	TSI P/N	MFG. P/N	Price
1	Spindle, 316L/1.4404	FV300NFL-SP4C/01	17 11 25 00 01	
	<b>Spindle seals kit:</b>			
3	Spindle bush, PTFE & 25% glass			
4	2 x Elastic Gasket, Ekonol / S. S.			
5	2 x Spindle bush, PTFE & 25% glass			
6	Elastic ring, 316L/1.4404			
7	Stop ring, 316L/1.4404	FV300NFL-SK2A/01	11 11 24 95 00	
8	Spacer, 316L/1.4404			
9	Packing gland, PTFE			
10	3 x Packing ring, 316L/1.4404			
11	Washer, S. S.			
12	V-pin, S. S.			
	<b>Lift fork kit:</b>			
20	Lift fork (type C), 316L/CF3M	FV300NFL-SP12C/01	11 16 25 92 00	
	<b>Poppet seal:</b>			
21	O-ring, FEP/Silicon	FV300XXX-SP9A/01	11 11 24 91 00	
	<b>Poppet kit:</b>			
22	Poppet, 316L/1.4404	FV300NFL-SK5C/01	11 16 25 93 00	
21	O-ring, FEP/Silicon			
	<b>Spring system kit:</b>			
13	Female MK2 case, 316/CF8M			
14	Male MK2 casting, 316/CF8M			
15	Removable shaft, 316L/1.4404			
16	V-pin, S. S.			
11	2 x Washer, S. S.	FV300TFL-SK9A/01	11 11 70 96 00	
12	Beta pin, S. S.			
17	Spring, S. S.			
18	Chain, 316L/1.4404			
19	M6-16 screw, 304/1.4301			
	<b>Handle kit:</b>			
23	Handle, 316L/1.4409			
	Connecting rod, 316/CF8M			
	Spindle roller, 304L/1.4307	FV300TFL-SK3A/01	11 16 25 97 00	
	2 x Z12 washer, 316L/1.4404			
	Split pin, 316L/1.4404			
	<b>L Handle kit:</b>			
23	L handle, 316L/1.4409			
	Connecting rod, 316/CF8M			
	Spindle roller, 304L/1.4307	FV300NFL-SK3C-L/01	11 12 99 10 00	
	2 x Z12 washer, 316L/1.4404			
	Split pin, 316L/1.4404			

### 3" TWINFLOW™ Foot Valve (cont'd)





Item	Description	TSI P/N	MFG. P/N	Price
	<b>Closure plate kit:</b>			
24	Closure plate	BF300XX-SP17A/01	12 85 57 93 00	
25	Closure plate bush, PTFE & 25% glass			
	<b>Closure plate seal:</b>			
26	Closure plate seal	BF300XX-SP1A/01	12 85 57 94 00	
	<b>Butterfly valve Spindle:</b>			
27	Spindle	FV300TWN-SP4A/01	11 12 10 91 00	
	<b>Butterfly valve Spindle seals kit:</b>			
28	Screw M6-16, 304/1.4301	FV300TWN-SK2A/01	17 12 01 91 00	
29	Ring washer, 304/1.4301			
30	2 x Screw M6-20, 304/1.4301			
31	2 x Nuts, 316/1.4401			
32	2 x Washer, 304/1.4301			
33	2 x Spindle bush, PTFE & 25% glass			
34	O-rings, PTFE & silicon OR Viton			
35	O-rings, PTFE & silicon OR Viton			
25	Closure plate bush, PTFE & 25% glass			
	<b>Butterfly valve handle kit:</b>			
36	Handle lever, 316/1.4401	FV300TWN-SK3A/01	11 11 83 91 00	
28	M6-16 screw, 304/1.4301			
29	Washer, 304L/1.4307			
37	M6-10 screw, 304/1.4301			
38	Plane spring, 304/1.4301			
39	Handle, 316L/1.4404			
40	Split pin, 304/1.4301			
	<b>Outlet nozzle square kit:</b>			
26	Closure plate seal, PTFE	On request	11 11 83 93 00	
	2 x Washer, 316L/1.4404			
	Chain, 304L/1.4307			
41	Cap seal, PTFE			
42	Cap, 316/1.4408			
43	Outlet nozzle square, 316/1.4401			
43	<b>Outlet nozzle square, 316/1.4401</b>	FV300TFL-SP26A/01	11 11 83 20 01	
	<b>Outlet nozzle bolting kit:</b>			
44	4 x M16 bolt	On request	17 12 10 95 00	
45	4 x M16 washer			
46	4 x W16 grower washer			
47	4 x Nut			
	<b>Remote control:</b>			
	Remote control lever	FV300TFL-SK18A/01	11 11 98 90 00	
	Rope clamp			
	Spring			





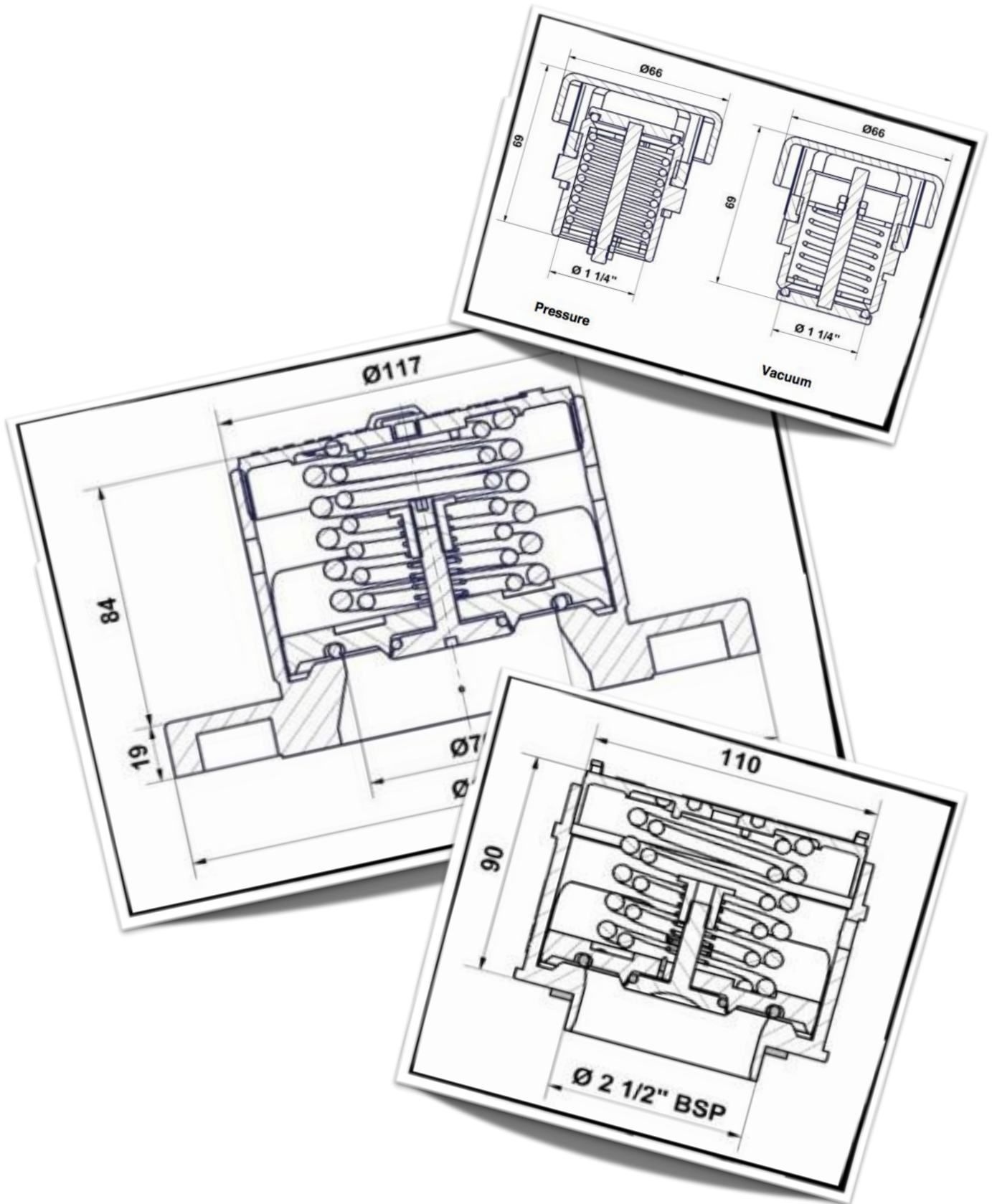








# Safety Relief Valves



## Safety Relief Valves



Item	Description	TSI P/N	MFG. P/N	Price
1	2 1/2" BSP SRV - 2.18 BAR - PRESSURE/VACUUM	PV250BP- 218-V21/01	MX65F21T2 1SC	
2	2 1/2" BSP SRV - 3.75 BAR - PRESSURE/VACUUM	PV250BP- 375-V21/01	MX65F37 T21SC	
3	2 1/2" BSP SRV - 4.40 BAR - PRESSURE/VACUUM	PV250BP- 440-V21/01	MX65F44 T21SC	
4	2 1/2" BSP SRV - 4.40 BAR - PRESSURE ONLY	PV250BP- 440-000/01	MX65F44 TSC	



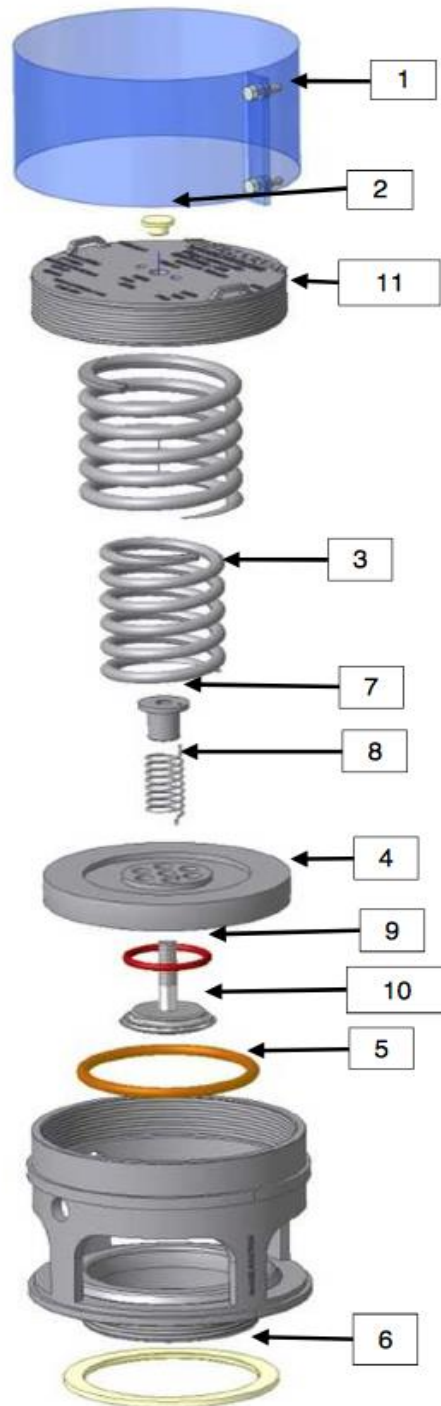
Item	Description	TSI P/N	MFG. P/N	Price
5	2 1/2" FLANGED SRV - 4.40 BAR - PRESSURE ONLY	PV250FL- 440-000/01	MX65S44TS	
6	2 1/2" FLANGED SRV - 4.40 BAR - PRESSURE/VACUUM	PV250FL- 440-V21/01	MX65S44 T21S	
7	3" FLANGED SRV - 4.40 BAR - PRESSURE ONLY	PV300FL- 440-000/01	MX80S44TS	
8	3" FLANGED SRV - 4.40 BAR - PRESSURE/VACUUM	PV300FL- 440-V21/01	MX80S44 T21S	

## Steam Valves



Item	Description	TSI P/N	MFG. P/N	Price
1	3/4" BSP Steam Valve 1 bar	PV075BP- 100-000/01	SV1M	
2	3/4" BSP Steam Valve 2 bar	PV075BP- 200-000/01	SV2M	
3	3/4" BSP Steam Valve 3 bar	PV075BP- 300-000/01	SV3M	
4	3/4" BSP Steam Valve 4 bar	PV075BP- 400-000/01	SV4M	
5	3/4" BSP Steam Valve 5 bar	PV075BP- 500-000/01	SV5M	
6	3/4" BSP Steam Valve 6 bar	PV075BP- 600-000/01	SV6M	

# 2 1/2" MEGA SUPERVENTIX™ BSP Safety Relief Valve





Item	Description	TSI P/N	MFG. P/N	Price
1	Flame proof gauze kit (stainless steel)	PV250XX-SK4/01	11 10 01 50 91	
2	Plug (304L)	PV000XX-SP25/01	70 14 06 90 15	
3	Spring set pressure 2.18 Bar (stainless steel)	PV250XX -218-SP11/01	11 10 01 95 00	
3	Spring set pressure 3.30 Bar (stainless steel)	On request	12 12 84 90 00	
3	Spring set pressure 3.75 Bar (stainless steel)	PV250XX -375-SP11/01	11 10 01 96 00	
3	Spring set pressure 4.40 Bar (stainless steel)	PV250XX -440-SP11/01	11 10 01 97 00	
4	Pressure plate for pressure only (316L, 1.4404)	PV250XX-SP13/01	11 10 01 99 01	
4	Pressure plate, pressure/vacuum (316L, 1.4404)	PV250XX-SP20/01	11 10 01 99 00	
5	Pressure O-ring (FEP/Silicon)	PV250XX-SP9/01	11 10 01 99 05	
5, 9	Pressure & vacuum O-rings (FEP/Silicon)	N/A	11 10 01 91 00	N/A
6	Setting gasket (Perbunan/PTFE)	N/A	11 10 01 93 00	N/A
6	Setting gasket (Composite/PTFE)	GF250-75-92-PR-00-000	12 91 31 91 01	
7	Adjustment nut (stainless steel)	PV250XX-SP15/01	11 10 02 99 06	
8	Spring set vacuum 0.21 bar (stainless steel)	PV250XX-SP16/01	11 10 01 98 00	
10	Vacuum poppet (316L/1.4404)	PV250XX-SP8/01	11 10 01 99 02	
2, 4, 5, 7, 8, 9, 10	Vacuum set kit (plug, pressure plate, O-rings, adjustment nut, spring set and vacuum poppet)	N/A	11 10 01 99 08	N/A

## 3" MEGA SUPERVENTIX™ Flanged Safety Relief Valve



Description	TSI P/N	MFG. P/N	Price
<b>3" MEGA SUPERVENTIX™ FLANGED STUDT KIT</b>	FA-KT-QXD4-16X045	11 91 13 91 00	

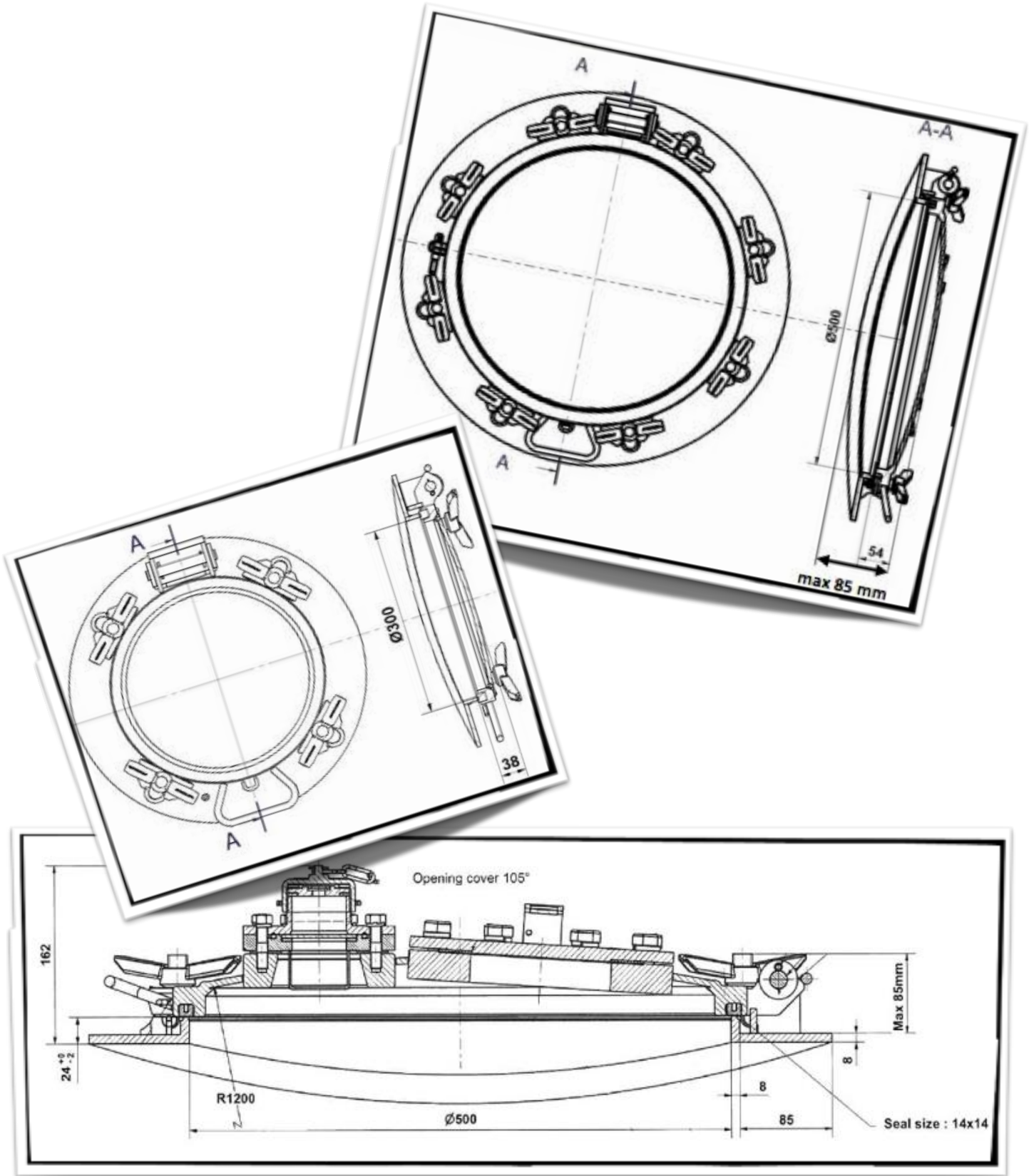




Item	Description	TSI P/N	MFG. P/N	Price
1	Flame proof gauze kit (stainless steel)	On request	11 10 01 94 00	
2	Plug (304L)	PV000XX-SP25/01	70 14 06 90 15	
3	Spring set pressure 2.18 Bar (stainless steel)	PV300XX-218-SP11/01	11 10 17 91 00	
3	Spring set pressure 3.30 Bar (stainless steel)	On request	11 10 17 92 00	
3	Spring set pressure 3.75 Bar (stainless steel)	PV300XX-375-SP11/01	11 10 17 93 00	
3	Spring set pressure 4.40 Bar (stainless steel)	PV300XX-440-SP11/01	11 10 17 94 00	
4	Pressure plate for pressure only (316L, 1.4404)	PV300FL-SP13/01	11 10 17 99 02	
4	Pressure plate, pressure/vacuum (316L, 1.4404)	PV300FL-SP20/01	11 10 17 99 01	
5	Pressure O-ring (FEP/Silicon)	PV300FL-SP9/01	11 10 17 98 00	
5, 9	Pressure & vacuum O-rings (FEP/Silicon)	N/A	11 10 17 97 00	N/A
7	Adjustment nut (stainless steel)	PV250XX-SP15/01	11 10 02 99 06	
8	Spring set vacuum 0.21 bar (stainless steel)	PV250XX-SP16/01	11 10 01 98 00	
10	Vacuum poppet (316L/1.4404)	PV250XX-SP8/01	11 10 01 99 02	
2, 4, 5, 7, 8, 9, 10	Vacuum set kit (plug, pressure plate, O-rings, adjustment nut, spring set and vacuum poppet)	N/A	11 10 01 99 08	N/A




# Manlids




## Manlids


### DN150 Manlid

Item	Description	TSI P/N	MFG. P/N	Price
	1	ND150 Coverlid, 316L/1.4409	MLD150-4B-3STD/01	11 18 94 10 02

### DN300 Manlid


Item	Description	TSI P/N	MFG. P/N	Price
	2	4 Points Low Profile	MLD300-4B-4LOW/01	11 13 87 10 00
	3	4 Points Standard Profile	MLD300-4B-4STD/01	12 13 58 10 00

### DN500 Manlid


Item	Description	TSI P/N	MFG. P/N	Price
	4	6 Points Low Profile	MLD500-4B-6LOW/01	CMS53D6SS
	5	6 Points Standard Profile	MLD500-4B-6STD/01	CMS53D6DS
	6	8 Points Low Profile	MLD500-4B-8LOW/01	CMS54D8SS
	7	8 Points Standard Profile	MLD500-4B-8STD/01	CMS54D8DS

## Swing Bolts


### Swing Bolts (Brass Nut)

Item	Description	TSI P/N	MFG. P/N	Price
	1	58mm Eye Bolt Kit	MLSWBT-58-16BR	12 93 86 92 00
	2	70mm Eye Bolt Kit	On request	
	3	83mm Eye Bolt Kit	MLSWBT-83-16BR	12 93 86 91 00
	4	93mm Eye Bolt Kit	MLSWBT-93-16BR	11 13 92 92 00

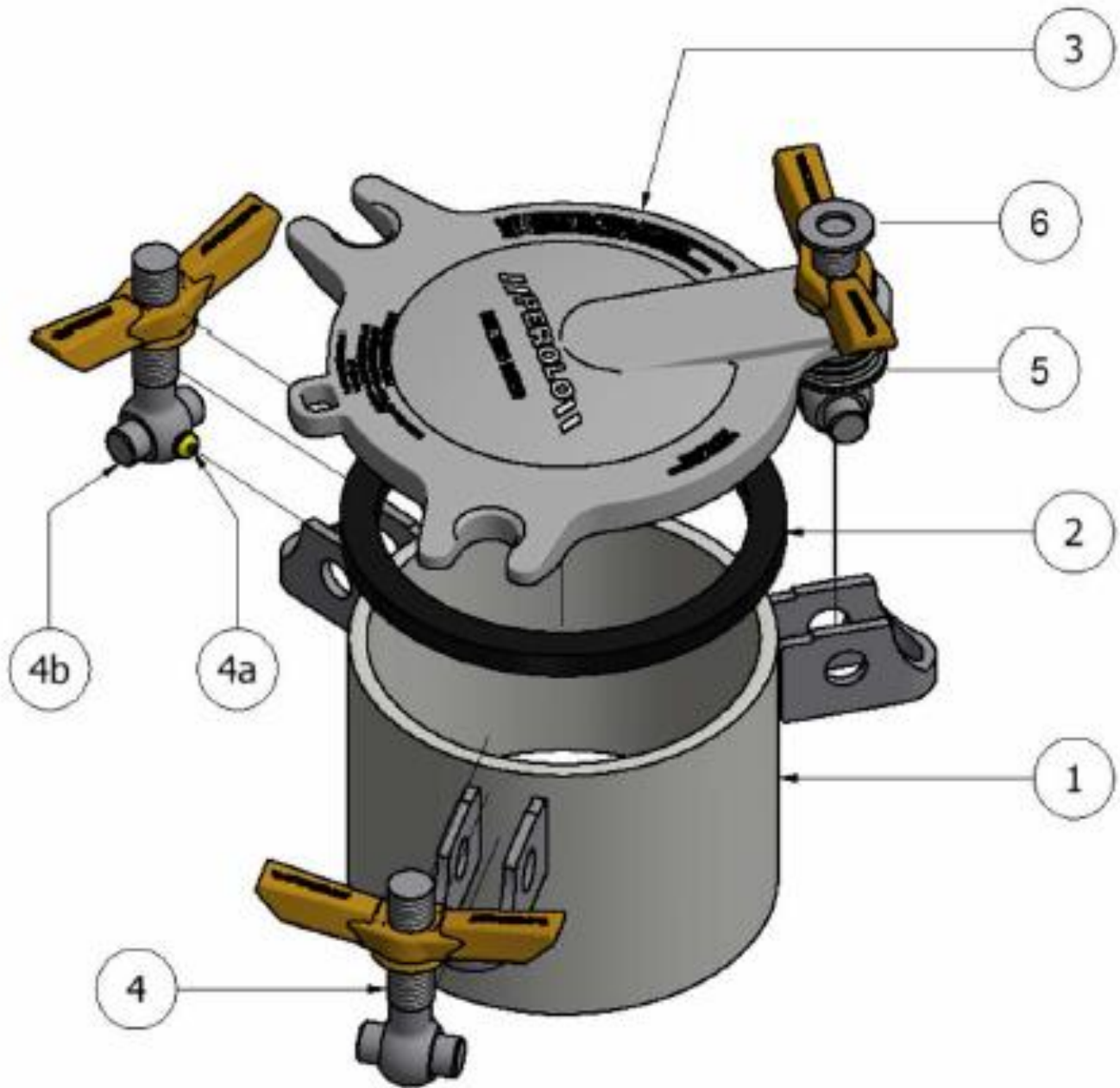
### Swing Bolts (SS Nut)

Item	Description	TSI P/N	MFG. P/N	Price
	1	58mm Eye Bolt Kit	On request	13 15 12 93 00
	2	70mm Eye Bolt Kit	On request	
	3	83mm Eye Bolt Kit	On request	13 15 12 92 00
	4	93mm Eye Bolt Kit	On request	11 13 18 91 00


### Swing Bolts (SS Hex Nut)

Item	Description	TSI P/N	MFG. P/N	Price
	1	58mm Swing bolt with Hex Nut – 16mm Pivot Pin - SS	MLSWBT-58-16SS-NT	11 20 28 90 00
	2	83mm Swing bolt with Hex Nut – 16mm Pivot Pin - SS	MLSWBT-83-16SS-NT	11 20 28 91 00
	3	82mm Swing bolt with Hex Nut – 19mm Pivot Pin - SS	MLSWBT-82-19SS-NT	11 13 84 30 03
	4	18mm Nut for Swing bolt	MLSWBT-NT18-SS	11 15 18 91 03

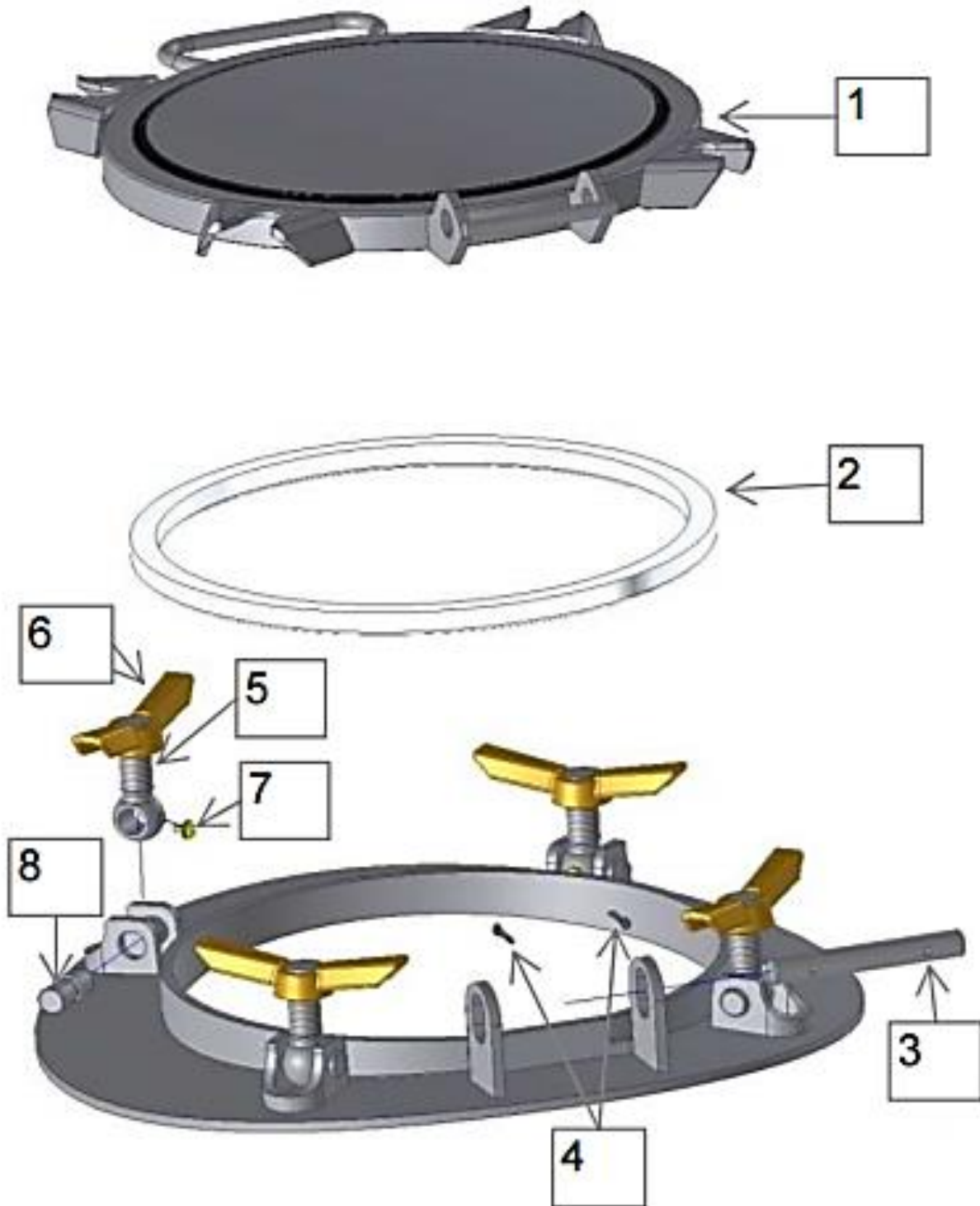
# DN150 MULTIDO™ Manlid



Item	Description	TSI P/N	MFG. P/N	Price
1	Neck ring, Height: 120mm, 316L/1.4409	On request	11 13 91 10 00	
2	Coverlid Seal, Nitrile/PTFE 14x14	On request	11 13 91 10 02	
3	DN150 Coverlid, 316L/1.4409	MLD150-4B-3STD/01	11 18 94 10 02	
3a	Coverlid kit (including item n°2, 3, 4, 4a, 4b, 5 & 6)	On request	11 18 94 90 00	
5	Spring, 302/1.4319	On request	17 10 06 00 08	
	<b>83 mm Eye bolt kit:</b>			
4	Eye bolt 83mm, stainless steel	MLSWBT-83-16BR	12 93 86 91 00	
4a	Eye bolt pin			
4b	TBHC screw and washer			

Item	Description	TSI P/N	MFG. P/N	Price
6	 ND150 Coverlid, 316L/1.4409 Full Assembly	MLD150-4B-3ASM/01	11 18 94 00 00	

# DN300 MULTIDO™ Manlid

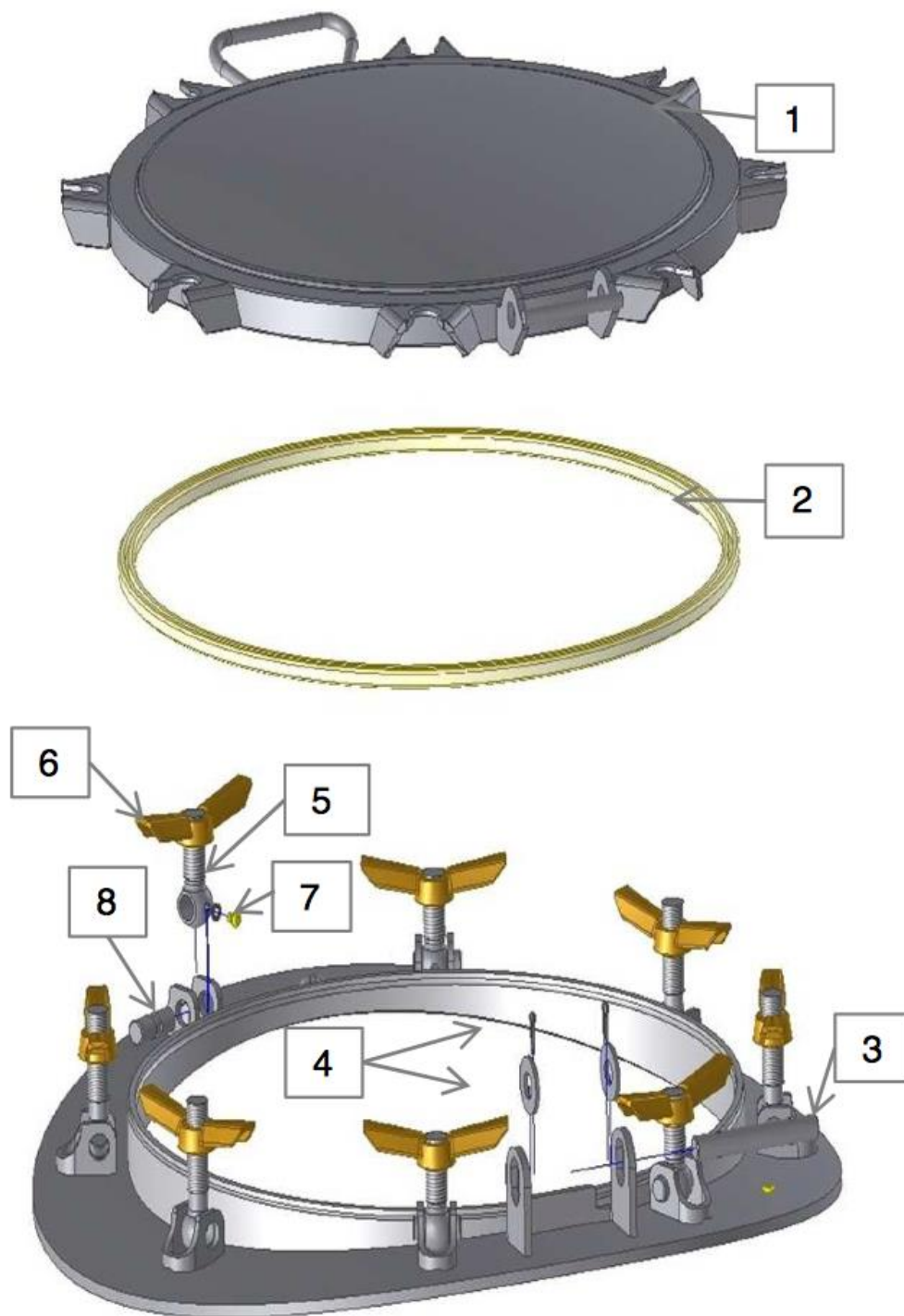






Item	Description	TSI P/N	MFG. P/N	Price
1	4 points low profile coverlid	MLD300-4B-4LOW/01	11 13 87 10 00	
1	4 points Standard profile coverlid	MLD300-4B-4STD/01	12 13 58 10 00	
2	Coverlid Seal, PTFE braided 15x14	On request	11 13 75 00 12	
	<b>Hinge pin kit:</b>			
3	1x Hinge pin axis	ML-HG-PINKIT/01	12 13 68 91 00	
4	2x V4-28 Pin			
	2x Washers			
	<b>58 mm Eye bolt kit:</b>			
5	Eye bolt 58mm, stainless steel	MLSWBT-58-16BR	12 93 86 92 00	
6	Wing nut, copper aluminum			
7	TBHC screw and washer			
8	Eye bolt pin			
	<b>Bolting kit</b>			
3	1x Hinge pin axis	On request	11 15 27 91 00	
4	2x V4-28 Pin			
	2x Washers			
5	4x Eye bolt 58mm, stainless steel			
6	4x Wing nut, copper aluminum			
7	4x M6x8 TBHC screw and washer			
8	4x Eye bolt pin			

# DN500 MULTIDO™ Manlid

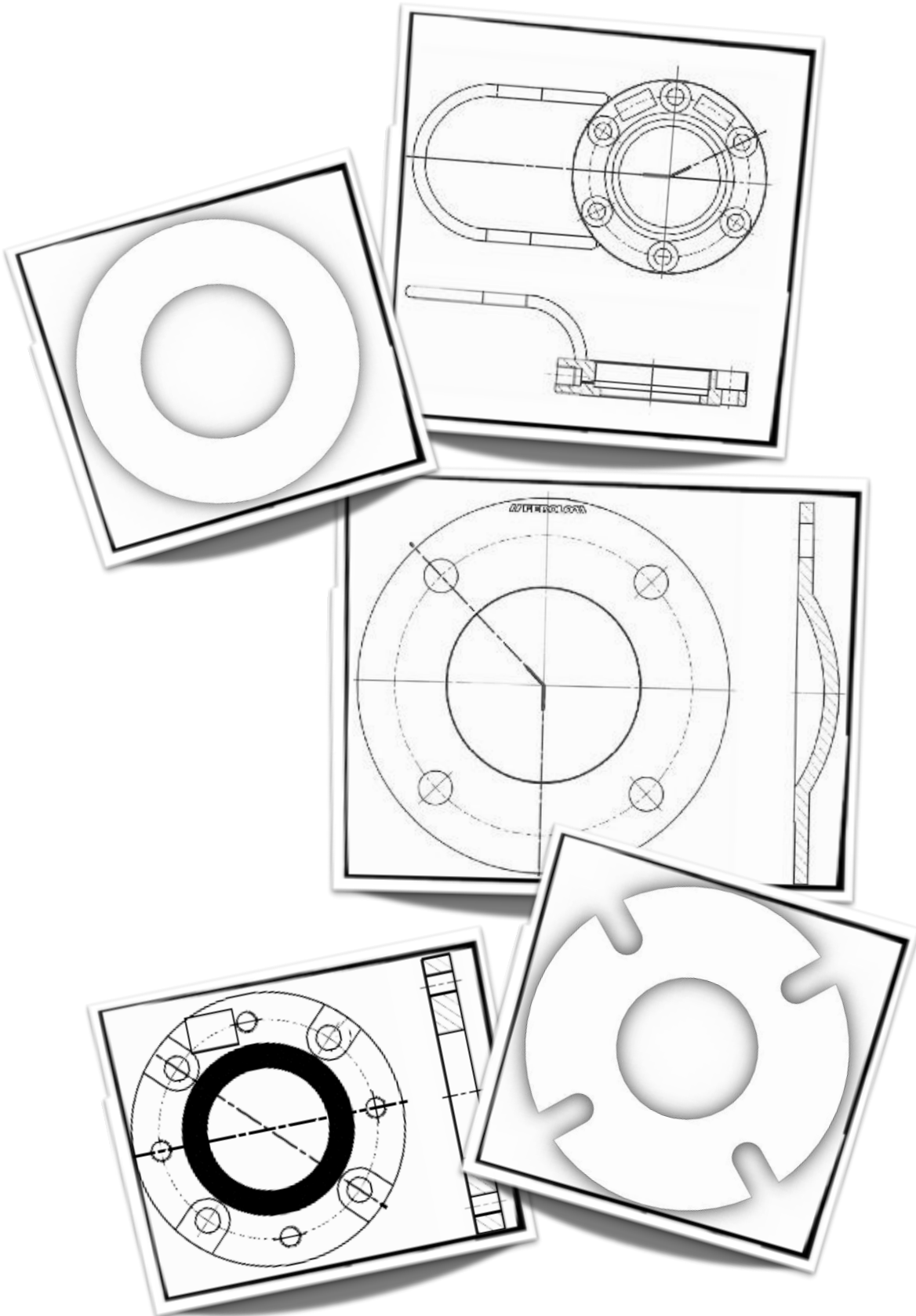




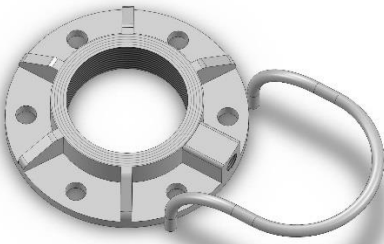
Item	Description	TSI P/N	MFG. P/N	Price
1	8 points low profile coverlid, standard sealing	MLD500-4B-8LOW/01	CMS54D8SS	
1	8 points low profile coverlid, T.I.R. sealing	On request	CMS54D8ST	
1	6 points low profile coverlid, standard sealing	MLD500-4B-6LOW/01	CMS53D6SS	
1	6 points low profile coverlid, T.I.R. sealing	On request	CMS5D6ST	
2	Coverlid Seal, PTFE/EPDM 14x14	GMD500-14-14-PE	11 13 75 00 19	
2	Coverlid Seal, Nitrile/PTFE 14x14	On request	11 13 75 00 14	
	<b>Hinge pin kit:</b>			
3	Hinge pin axis	ML-HG-PINKIT/01	12 13 68 91 00	
4	Washers			
	V4-28 Pin			
	<b>58 mm Eye bolt kit:</b>			
5	Eye bolt 58mm, stainless steel	MLSWBT-58-16BR	12 93 86 92 00	
6	Wing nut, copper aluminum			
7	TBHC screw and washer			
8	Eye bolt pin			
	<b>70 mm Eye bolt kit:</b>			
5	Eye bolt 70mm, stainless steel	On request	11 13 92 93 00	
6	Wing nut, copper aluminum			
7	TBHC screw and washer			
8	Eye bolt pin			
	<b>83 mm Eye bolt kit:</b>			
5	Eye bolt 83mm, stainless steel	MLSWBT-83-16BR	12 93 86 91 00	
6	Wing nut, copper aluminum			
7	TBHC screw and washer			
8	Eye bolt pin			
	<b>93 mm Eye bolt kit:</b>			
5	Eye bolt 93mm, stainless steel	MLSWBT-93-16BR	11 13 92 92 00	
6	Wing nut, copper aluminum			
7	TBHC screw and washer			
8	Eye bolt pin			
	<b>Complete 6 points bolting kit</b>			
	1 x kit 12 13 68 91 00	On request	11 15 18 96 00	
	2 x kit 12 93 86 92 00			
	4 x kit 11 13 92 91 00			
	<b>Complete 8 points bolting kit</b>			
	1 x kit 12 13 68 91 00	On request	11 15 18 93 00	
	4 x kit 12 93 86 92 00			
	4 x kit 11 13 92 91 00			

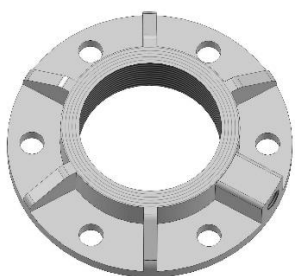


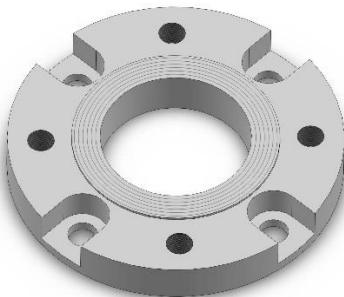
# Flanges & Gaskets

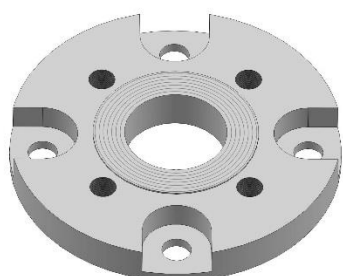


## Adapter Flanges

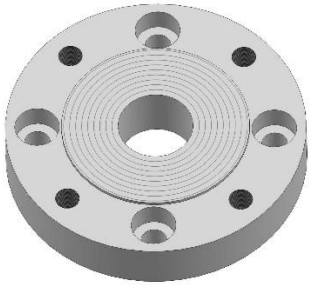
<b>2 1/2" BSP 6 Hole Adapter Flange (with guard)</b>	
TSI P/N	Price:
FLA250-PV6-316-GP	
Equivalent to P/N	
11 91 15 00 00	
	External Diameter
	127 mm
	Internal Diameter
	2.5" BSP threaded
	Thickness
	22.5 mm
	Bolt Pattern
Material	6 x 11 x PCD 105
316 STAINLESS	

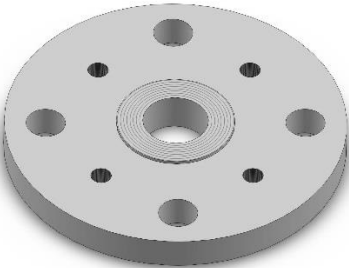
<b>2 1/2" BSP 6 Hole Adapter Flange</b>	
TSI P/N	Price:
FLA250-PV6-316	
Equivalent to P/N	
11 91 15 00 01	
	External Diameter
	127 mm
	Internal Diameter
	2.5" BSP threaded
	Thickness
	22.5 mm
	Bolt Pattern
Material	6 x 11 x PCD 105
316 STAINLESS	

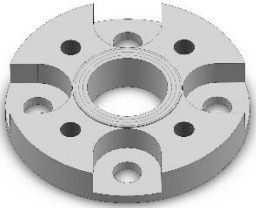
<b>Butterfly Clamping Adapter Flange</b>	
TSI P/N	Price:
FLAD80-MD80-316	
Equivalent to P/N	
12 91 41 00 03	
	External Diameter
	200 mm
	Internal Diameter
	90 mm
	Thickness
	24 mm
	Bolt Pattern
Material	4 x 18 x PCD 160
316 STAINLESS	4 x M16 x PCD 160

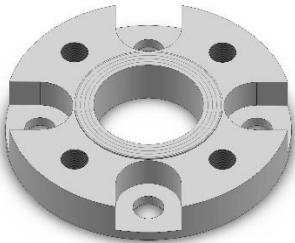
<b>DN80 to DN50 Adapter Flange</b>	
TSI P/N	Price:
FLAD80-MD50-316	
Equivalent to P/N	
11 92 95 00 00	
	External Diameter
	200 mm
	Internal Diameter
	62 mm
	Thickness
	19 mm
	Bolt Pattern
Material	4 x M16 x PCD 125
316 STAINLESS	4 x 18 x PCD 160

# Adapter Flanges

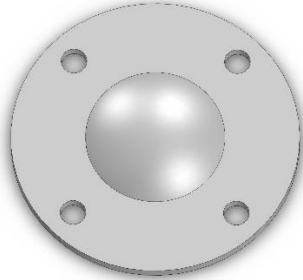
<b>DN32 TO 1 1/2" Airline Ball Valve Adapter Flange</b>	
TSI P/N	Price:
FLAD32-ARL1-316	
Equivalent to P/N	
	External Diameter
	127 mm
	Internal Diameter
	32 mm
	Thickness
	27mm
	Bolt Pattern
Material	4 x 11 x PCD100mm
304 STAINLESS	4 x M10 x PCD103.5mm

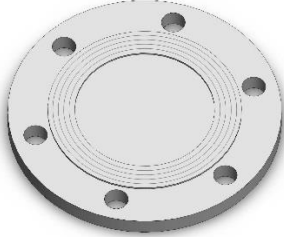
<b>DN50 TO 1 1/2" Airline Ball Valve Adapter Flange</b>	
TSI P/N	Price:
FLAD50-ARL1-316	
Equivalent to P/N	
	External Diameter
	6.5"
	Internal Diameter
	1.25"
	Thickness
	.75"
	Bolt Pattern
Material	4 x 18 x PCD125mm
316 STAINLESS	4 x M10 x PCD103.5mm

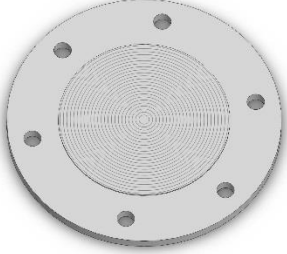
<b>DN40 TO 1 1/2" ANSI Adapter Flange</b>	
TSI P/N	Price:
FLAD40-150A1-316	
Equivalent to P/N	
	External Diameter
	5.91"
	Internal Diameter
	1.95"
	Thickness
	1"
	Bolt Pattern
Material	4 x 18 x PCD 110mm
316 STAINLESS	4 x 1/2"-13 x PCD 3.875"

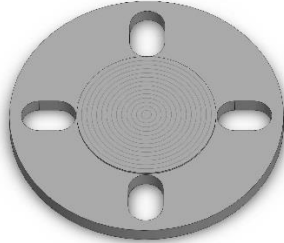
<b>DN50 TO 2" ANSI Adapter Flange</b>	
TSI P/N	Price:
FLAD50-200A1-316	
Equivalent to P/N	
	External Diameter
	6.5"
	Internal Diameter
	2.5"
	Thickness
	1"
	Bolt Pattern
Material	4 x 18 x PCD 125
316 STAINLESS	4 x 5/8"-11x PCD 4.75"

## Blind Flanges

<b>3" Dished Blind Flange</b>	
TSI P/N	Price:
FLBD80-P1-316-DSH	
Equivalent to P/N	
11 90 41 00 00	
	External Diameter
	200 mm
	Internal Diameter
	n/a
	Thickness
	8.5 mm
	Bolt Pattern
	4 x 18 x PCD 160
Material	
316 STAINLESS	

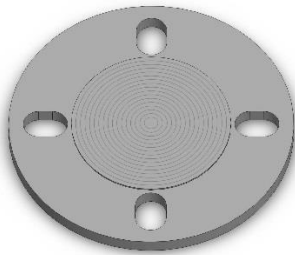
<b>2 1/2" 6 Hole SRV Blind Flange</b>	
TSI P/N	Price:
FLB250-PV6-316	
Equivalent to P/N	
11 90 01 00 00	
	External Diameter
	127 mm
	Internal Diameter
	n/a
	Thickness
	8.5 mm
	Bolt Pattern
	6 x 11 x PCD 105
Material	
316 STAINLESS	

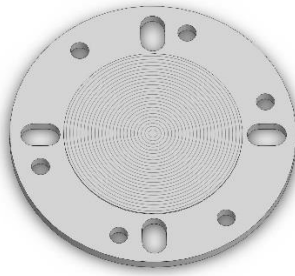
<b>3" 6 Hole Offset Blind Flange</b>	
TSI P/N	Price:
FLB300-6F-316	
Equivalent to P/N	
11 90 13 00 00	
	External Diameter
	200 mm
	Internal Diameter
	n/a
	Thickness
	8.5 mm
	Bolt Pattern
	6 x 14 x PCD 168
Material	
316 STAINLESS	

<b>1 1/2" 4 Hole Slotted Blind Flange</b>	
TSI P/N	Price:
FLB150-4SL-304	
Equivalent to P/N	
2012-09-06-01	
	External Diameter
	140 mm
	Internal Diameter
	n/a
	Thickness
	8.5 mm
	Bolt Pattern
	4 x 18 x PCD 99-110
Material	
316 STAINLESS	



## Blind Flanges

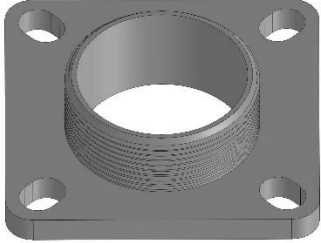
<b>2" 4 Hole Slotted Blind Flange</b>	
TSI P/N	Price:
FLB200-4SL-304	
Equivalent to P/N	
2012-09-28-01 R1	
	External Diameter
	159 mm
	Internal Diameter
	n/a
	Thickness
	9.5 mm
	Bolt Pattern
Material	4 x 18 x PCD 110-125
304 STAINLESS	

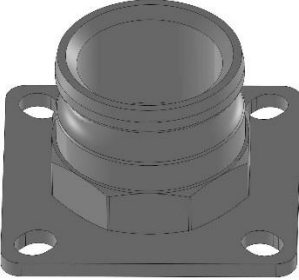
<b>3" 4 Hole Slotted/6 Hole Offset Blind Flange</b>	
TSI P/N	Price:
FLB300-6F4SL-304	
Equivalent to P/N	
2012-11-20-03 R1	
	External Diameter
	203 mm
	Internal Diameter
	n/a
	Thickness
	9.5 mm
	Bolt Pattern
Material	6 x 13 x PCD 168
304 STAINLESS	4 x 18 x PCD 149-170



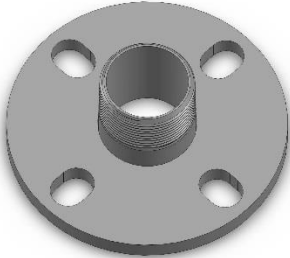
**Custom Flanges made to order:**  
**Blinds, Spigots, Adapters, Weld-ins, etc.**  
**Just give us a detailed Description or Drawing**  
**Make inquiries to**  
**[PartsDepartment@tankservice.com](mailto:PartsDepartment@tankservice.com)**

## Spigot Flanges

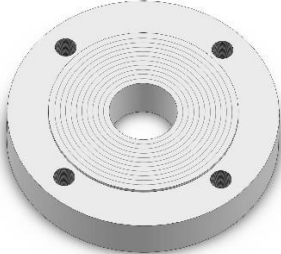
<b>3" BSP Spigot Flange</b>	
TSI P/N	Price:
FLG300-4SLMB-316	
Equivalent to P/N	
12 85 69 00 00	
	External Diameter
	144 x 144 mm
	Internal Diameter
	3" MALE BSP
	Thickness
	14 mm
	Bolt Pattern
	4 x 19 x PCD 146-160
Material	
316 STAINLESS	

<b>3" CAM Spigot Flange</b>	
TSI P/N	Price:
FLG300-4SLMC-316	
Equivalent to P/N	
	External Diameter
	184 mm
	Internal Diameter
	3" Male CAM
	Thickness
	14 mm
	Bolt Pattern
	4 x 19 x PCD 146-160
Material	
316 STAINLESS	

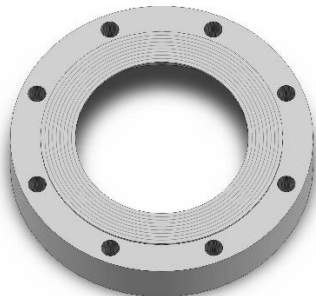
## Spigot Flange

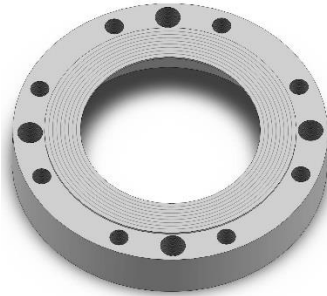
<b>1 1/2" BSP Spigot Flange</b>	
TSI P/N	Price:
FLG150-4SLMB-316	
Equivalent to P/N	
	External Diameter
	150 mm
	Internal Diameter
	40 mm
	Thickness
	10 mm
	Bolt Pattern
	4 x 18 x PCD 95-130
Material	
316 STAINLESS	

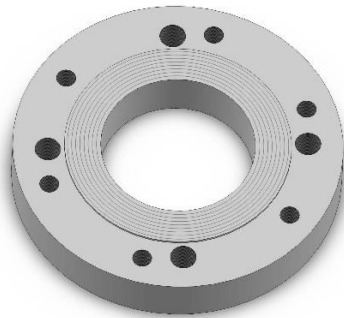
## Weld-In Flange

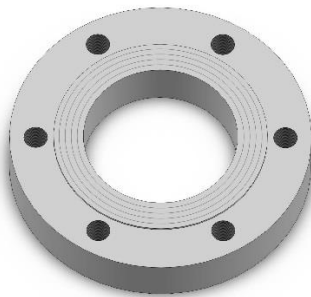
<b>1 1/2" Airline Weld-In Flange</b>	
TSI P/N	Price:
FLW150-ARL1-316	
Equivalent to P/N	
11 90 20 00 00	
	External Diameter
	127 mm
	Internal Diameter
	32 mm
	Thickness
	22 mm
	Bolt Pattern
	4 x M10 x PCD 103.5
Material	
316 STAINLESS	

## Weld-in Flanges

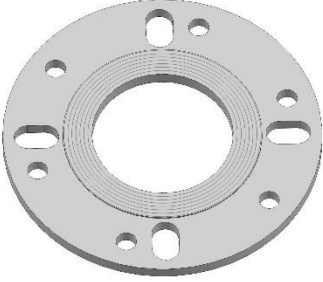
<b>45° Weld-In Flange</b>	
TSI P/N	Price:
FLW300-45D8-316	
Equivalent to P/N	
11 90 94 00 00	
	External Diameter
	200 mm
	Internal Diameter
	114.3 mm
	Thickness
	45 mm
	Bolt Pattern
Material	8 x M12 x PCD 178
316 STAINLESS	


<b>30° Dual Weld-In Flange</b>	
TSI P/N	Price:
FLW300-30DL-316	
Equivalent to P/N	
11 93 63 00 00	
	External Diameter
	200 mm
	Internal Diameter
	114.3 mm
	Thickness
	45 mm
	Bolt Pattern
Material	8 x M12 x PCD 178
316 STAINLESS	4 x M16 x PCD 178

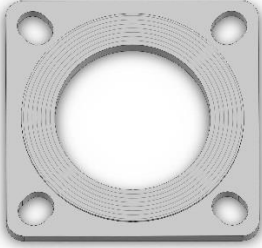
<b>3" 4/6 Top Weld-In Flange</b>	
TSI P/N	Price:
FLW300-6FD80-316	
Equivalent to P/N	
11 90 36 00 00	
	External Diameter
	200 mm
	Internal Diameter
	94 mm
	Thickness
	26.5 mm
	Bolt Pattern
Material	6 x M12 x PCD 168
316 STAINLESS	4 x M16 x PCD 160

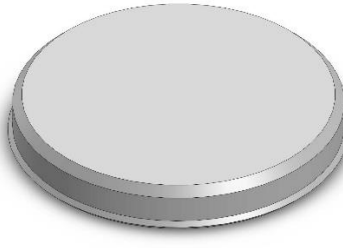
<b>2 1/2" PRV Weld-In Flange</b>	
TSI P/N	Price:
FLW250-PV6-316	
Equivalent to P/N	
12 91 14 00 00	
	External Diameter
	127 mm
	Internal Diameter
	2.5" BSP threaded
	Thickness
	22 mm
	Bolt Pattern
Material	6 x M10 x PCD 105
316 STAINLESS	

## Other Flanges

<b>3" Dip Tube Flange Slip-on Flange</b>	
TSI P/N	Price:
FLS300-6F4SL-304	
Equivalent to P/N	
2013-12-05-03	
	External Diameter
	203 mm
	Internal Diameter
	90 mm
	Thickness
	9.5 mm
	Bolt Pattern
Material	6 x 13 x PCD 168
316 STAINLESS	4 x 18 x PCD 149-170


<b>3" Foot Valve Blanking Weld Pad</b>	
TSI P/N	Price:
FLB300-FVBLANK	
Equivalent to P/N	
2014-01-27-01	
	External Diameter
	116 mm
	Internal Diameter
	N/A
	Thickness
	9.5 mm
	Bolt Pattern
Material	
316 STAINLESS	


<b>3" 4 Hole Bottom Outlet Slip-on Flange</b>	
TSI P/N	Price:
FLS300-SQ4SL-304	
Equivalent to P/N	
	External Diameter
	5.67"
	Internal Diameter
	3.54"
	Thickness
	.375"
	Bolt Pattern
Material	4 x 18mm x PCD 6"-6.3"
316 STAINLESS	

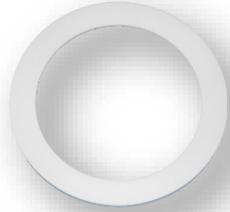
<b>Blanking Plate for PEROLO 45° Bottom Discharge Weld Pad</b>	
TSI P/N	Price:
FLB300-FVBLANK-P45	
Equivalent to P/N	
	External Diameter
	4.593"
	Internal Diameter
	n/a
	Thickness
	3/8"
	Bolt Pattern
Material	
316 STAINLESS	

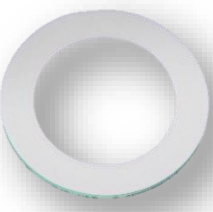
**Note: ANSI flanges and custom flanges available upon request**

# Gaskets


<b>DN 40 / 1 ½" Ring Gasket</b>	
TSI P/N	Price:
GF150-45-83-TF-00-000	
Equivalent to P/N	
	External Diameter
	83 mm
	Internal Diameter
	45 mm
	Thickness
	1/8" (3mm)
	Bolt Pattern
Material	no drillings
PTFE	


<b>DN 50 / 2" Ring Gasket</b>	
TSI P/N	Price:
GF200-50-80-CP-00-000	
Equivalent to P/N	
	External Diameter
	80 mm
	Internal Diameter
	50 mm
	Thickness
	1/8" (3mm)
	Bolt Pattern
Material	no drillings
PTFE/CNAF	


<b>3" Ring Gasket for Syphon Tube on Recessed Flange</b>	
TSI P/N	Price:
GF300-100-130-CP-00-000	
Equivalent to P/N	
	External Diameter
	130 mm
	Internal Diameter
	100 mm
	Thickness
	1/8" (3mm)
	Bolt Pattern
Material	no drillings
PTFE/CNAF	


<b>DN 80 / 3" Ring Gasket</b>	
TSI P/N	Price:
GF300-90-130-CP-00-000	
Equivalent to P/N	
	External Diameter
	130 mm
	Internal Diameter
	90 mm
	Thickness
	1/8" (3mm)
	Bolt Pattern
Material	no drillings
PTFE/CNAF	

# Gaskets


<b>3/4" Cap Gasket</b>	
TSI P/N	Price:
GC075-16-26-03-TF	
Equivalent to P/N	
	External Diameter
	26 mm
	Internal Diameter
	16 mm
	Thickness
	1/32" (1mm)
	Bolt Pattern
Material	no drillings
PTFE	

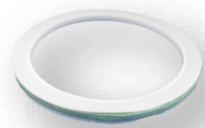
<b>1" Cap Gasket</b>	
TSI P/N	Price:
GC100-22-32-06-TF	
Equivalent to P/N	
	External Diameter
	32 mm
	Internal Diameter
	22 mm
	Thickness
	1/16" (1.5mm)
	Bolt Pattern
Material	no drillings
PTFE	


<b>1 1/2" Cap Gasket</b>	
TSI P/N	Price:
GC150-35-47-06-TF	
Equivalent to P/N	
	External Diameter
	47 mm
	Internal Diameter
	35 mm
	Thickness
	1/16" (1.5mm)
	Bolt Pattern
Material	no drillings
PTFE	

<b>2" Cap Gasket</b>	
TSI P/N	Price:
GC200-42-60-06-TF	
Equivalent to P/N	
	External Diameter
	60 mm
	Internal Diameter
	42 mm
	Thickness
	1/16" (1.5mm)
	Bolt Pattern
Material	no drillings
PTFE	

# Gaskets

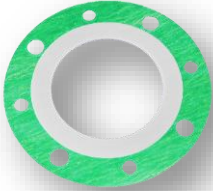
<b>3" Cap Gasket</b>	
TSI P/N	Price:
GC300-72-87-06-TF	
Equivalent to P/N	
	External Diameter
	87 mm
	Internal Diameter
	72 mm
	Thickness
	1/16" (1.5mm)
	Bolt Pattern
Material	no drillings
PTFE	

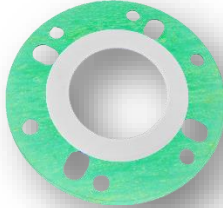
<b>2 1/2" Safety Relief Valve Gasket</b>	
TSI P/N	Price:
GF250-76-92-CP-00-000	
Equivalent to P/N	
	External Diameter
	92 mm
	Internal Diameter
	76 mm
	Thickness
	1/8" (3mm)
	Bolt Pattern
Material	no drillings
PTFE/CNAF	

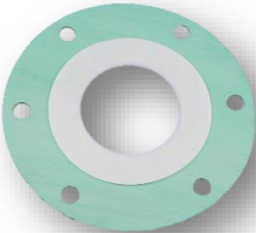
<b>2 1/2" Safety Relief Valve Gasket w/ Rubber Filler</b>	
TSI P/N	Price:
GF250-75-92-PR-00-000	
Equivalent to P/N	
	External Diameter
	92 mm
	Internal Diameter
	75 mm
	Thickness
	1/8" (3mm)
	Bolt Pattern
Material	no drillings
PTFE/Rubber	

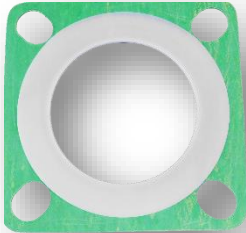
<b>2 1/2" 6 Hole Safety Relief Valve Gasket</b>	
TSI P/N	Price:
GF250-75-127-CP-6H-105	
Equivalent to P/N	
	External Diameter
	127 mm
	Internal Diameter
	75 mm
	Thickness
	1/8" (3mm)
	Bolt Pattern
Material	6 x 11 x PCD 105
PTFE/CNAF	

# Gaskets

<b>3" 8/4 Hole Flange Gasket</b>	
TSI P/N	Price:
GF300-114-210-CP-DD-178	
Equivalent to P/N	
	External Diameter
	210 mm
	Internal Diameter
	114 mm
	Thickness
	1/8" (3mm)
	Bolt Pattern
Material	4 x 14 x PCD 178
PTFE/CNAF	4 x 18 x PCD 178

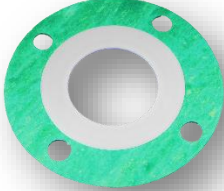
<b>3" 4 Hole Slotted/6 Hole Offset Flange Gasket</b>	
TSI P/N	Price:
GF300-90-200-CP-DD-170	
Equivalent to P/N	
	External Diameter
	200 mm
	Internal Diameter
	90 mm
	Thickness
	1/8" (3mm)
	Bolt Pattern
Material	4 x 18 x PCD 146
PTFE/CNAF	6 x 14 x PCD 168

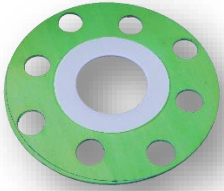
<b>3" 6 Hole Offset Gasket</b>	
TSI P/N	Price:
GF300-78-198-CP-6F-168	
Equivalent to P/N	
	External Diameter
	198 mm
	Internal Diameter
	78 mm
	Thickness
	1/8" (3mm)
	Bolt Pattern
Material	6 x 14 x PCD 168
PTFE/CNAF	

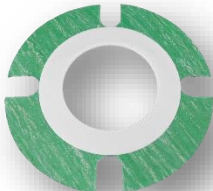
<b>3" 4 Hole Slotted - Square Gasket</b>	
TSI P/N	Price:
GF300-90-SQ-CP-SL-146	
Equivalent to P/N	
	External Diameter
	144 x 144 mm
	Internal Diameter
	90 mm
	Thickness
	1/8" (3mm)
	Bolt Pattern
Material	4 x 18 x PCD 146
PTFE/CNAF	

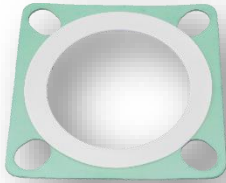


# Gaskets

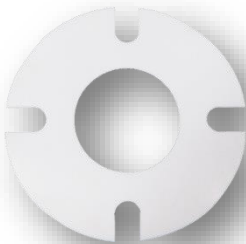
<b>DN50 4 Hole Gasket</b>	
TSI P/N	Price:
GF200-50-120-CP-4H-100	
Equivalent to P/N	
	External Diameter
	120 mm
	Internal Diameter
	50 mm
	Thickness
	1/8" (3mm)
	Bolt Pattern
Material	4 x 12 x PCD 100
PTFE/CNAF	

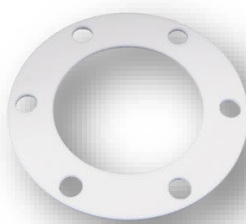
<b>DN50 Dual Drilled Gasket</b>	
TSI P/N	Price:
GF200-50-150-CP-DD-110	
Equivalent to P/N	
	External Diameter
	150 mm
	Internal Diameter
	50 mm
	Thickness
	1/8" (3mm)
	Bolt Pattern
Material	4 x 18 x PCD 110
PTFE/CNAF	4 x 18 x PCD 125

<b>3" Flanged SRV Gasket</b>	
TSI P/N	Price:
GF300-84-185-CP-SL-145	
Equivalent to P/N	
	External Diameter
	185 mm
	Internal Diameter
	84 mm
	Thickness
	1/8" (3mm)
	Bolt Pattern
Material	4 x 18 x PCD 145
PTFE/CNAF	


<b>3" 4 Hole Slotted Syphon Tube - Square Gasket</b>	
TSI P/N	Price:
GF300-100-SQ-CP-SL-146	
Equivalent to P/N	
	External Diameter
	144 x 144 mm
	Internal Diameter
	100 mm
	Thickness
	1/8" (3mm)
	Bolt Pattern
Material	4 x 18 x PCD 146
PTFE/CNAF	


# Gaskets


<b>3" 4 Hole Slotted - Round</b>	
TSI P/N	Price:
GF300-83-190-TF-SL-146	
Equivalent to P/N	
	External Diameter
	190 mm
	Internal Diameter
	83 mm
Thickness	
1/8" (3mm)	
Bolt Pattern	
Material	4 x 18 x PCD 146
PTFE	


<b>3" 6 Hole Gasket for Composite-Style Butterfly Valve</b>	
TSI P/N	Price:
GF300-90-143-TF-6H-122	
Equivalent to P/N	
	External Diameter
	143 mm
	Internal Diameter
	90 mm
Thickness	
1/8" (3mm)	
Bolt Pattern	
Material	6 x 12 x PCD 122
PTFE	

## Manlid Gaskets

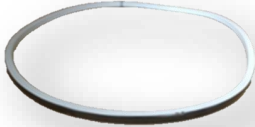
<b>DN300 14X14MM PTFE ROPE MANLID PACKING</b>	
TSI P/N	Price:
GMD300-14-14-TR	
MFG. P/N	
	Nominal Diameter
	300mm
	Thickness
	14 x 14 mm
	Bolt Pattern
Material	
PTFE ROPE	

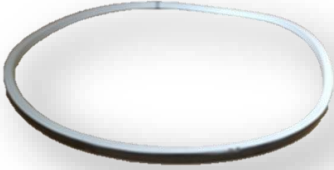
<b>DN500 14X14MM PTFE ROPE MANLID PACKING</b>	
TSI P/N	Price:
GMD500-14-14-TR	
MFG. P/N	
	Nominal Diameter
	500mm
	Thickness
	14 x 14 mm
	Bolt Pattern
Material	
PTFE ROPE	

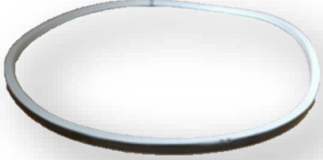
<b>DN500 15X10MM PTFE ROPE MANLID PACKING</b>	
TSI P/N	Price:
GMD500-15-10-TR	
MFG. P/N	
	Nominal Diameter
	500 mm
	Thickness
	15 x 10 mm
	Bolt Pattern
Material	
PTFE ROPE	


<b>DN500 14 X 14 MM EXTRUDED PTFE SEAL</b>	
TSI P/N	Price:
GMD500-14-14-TF	
MFG. P/N	
	Nominal Diameter
	500 mm (64.5" long)
	Thickness
	14 x 14 mm
	Bolt Pattern
Material	
EXTRUDED PTFE	

## Manlid Gaskets

<b>DN300 14X14MM PTFE ENVELOPE EPDM MANLID SEAL</b>	
TSI P/N	Price:
GMD300-14-14-PE	
MFG. P/N	
	Nominal Diameter
	300mm
	Thickness
	14 x 14 mm
	Bolt Pattern
Material	
PTFE ENVELOPE EPDM	

<b>DN500 14X10 MM PTFE ENVELOPE EPDM MANLID SEAL</b>	
TSI P/N	Price:
GMD500-14-10-PE	
MFG. P/N	
	Nominal Diameter
	500mm
	Thickness
	14 x 10 mm
	Bolt Pattern
Material	
PTFE ENVELOPE EPDM	

<b>DN500 14X12 MM PTFE ENVELOPE EPDM MANLID SEAL</b>	
TSI P/N	Price:
GMD500-14-12-PE	
MFG. P/N	
	Nominal Diameter
	500mm
	Thickness
	14 x 12 mm
	Bolt Pattern
Material	
PTFE ENVELOPE EPDM	


<b>DN500 14X14 MM PTFE ENVELOPE EPDM MANLID SEAL</b>	
TSI P/N	Price:
GMD500-14-14-PE	
MFG. P/N	
	Nominal Diameter
	500mm
	Thickness
	14 x 14 mm
	Bolt Pattern
Material	
PTFE ENVELOPE EPDM	

## Manlid Gaskets

<b>DN500 14X12MM SWEET WHITE RUBBER MANLID SEAL - TAPERED</b>	
TSI P/N	Price:
GMD500-14-12-SW	
MFG. P/N	
	Nominal Diameter
	500mm
	Thickness
	14 x 12 mm
	Bolt Pattern
Material	
SWEET WHITE RUBBER	

<b>DN500 14X14MM SWEET WHITE RUBBER MANLID SEAL - TAPERED</b>	
TSI P/N	Price:
GMD500-14-14-SW	
MFG. P/N	
	Nominal Diameter
	500mm
	Thickness
	14 x 14 mm
	Bolt Pattern
Material	
SWEET WHITE RUBBER	

<b>DN500 15X15MM SWEET WHITE RUBBER MANLID SEAL</b>	
TSI P/N	Price:
GMD500-15-15-SW	
MFG. P/N	
	Nominal Diameter
	500 mm
	Thickness
	15 x 15 mm
	Bolt Pattern
Material	
SWEET WHITE RUBBER	


<b>DN500 5/8" SQUARE SWEET WHITE RUBBER MANLID SEAL</b>	
TSI P/N	Price:
GMD500-16-16-SW	
MFG. P/N	
	Nominal Diameter
	500 mm
	Thickness
	16 x 16 mm
	Bolt Pattern
Material	
SWEET WHITE RUBBER	

## Manlid Gaskets

<b>DN300 15X10MM VITON MANLID SEAL</b>	
TSI P/N	Price:
GMD300-15-10-VT	
MFG. P/N	
	Nominal Diameter
	300mm
	Thickness
	15 x 10 mm
	Bolt Pattern
Material	
VITON	

<b>DN500 14X10 MM VITON MANLID SEAL</b>	
TSI P/N	Price:
GMD500-14-10-VT	
MFG. P/N	
	Nominal Diameter
	500mm
	Thickness
	14 x 10 mm
	Bolt Pattern
Material	
VITON	


<b>DN500 14X12MM VITON MANLID SEAL</b>	
TSI P/N	Price:
GMD500-14-12-VT	
MFG. P/N	
	Nominal Diameter
	500mm
	Thickness
	14 x 10 mm
	Bolt Pattern
Material	
VITON	


<b>DN500 14X14MM VITON MANLID SEAL</b>	
TSI P/N	Price:
GMD500-14-14-VT	
MFG. P/N	
	Nominal Diameter
	500mm
	Thickness
	14 x 14 mm
	Bolt Pattern
Material	
VITON	

## Manlid Gaskets


<b>DN500 15X10MM VITON MANLID SEAL</b>	
TSI P/N	Price:
GMD500-15-10-VT	
MFG. P/N	
	Nominal Diameter
	500mm
	Thickness
	15 x 10 mm
	Bolt Pattern
Material	
VITON	

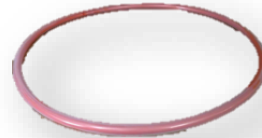
<b>DN500 14X14MM EPDM MANLID SEAL</b>	
TSI P/N	Price:
GMD500-14-14-EP	
MFG. P/N	
	Nominal Diameter
	500mm
	Thickness
	14 x 14 mm
	Bolt Pattern
Material	
EPDM	


<b>DN300 HALO MANLID SEAL</b>	
TSI P/N	Price:
GMD300-00-00-HA	
MFG. P/N	
	Nominal Diameter
	300 mm
	Thickness
	14 mm D section
	Bolt Pattern
Material	
PTFE	


<b>DN500 HALO MANLID SEAL</b>	
TSI P/N	Price:
GMD500-00-00-HA	
MFG. P/N	
	Nominal Diameter
	500 mm
	Thickness
	14 mm D section
	Bolt Pattern
Material	
PTFE	

## Manlid Gaskets

<b>DN300 SILICON ENCAPSULATED O-RING</b>	
TSI P/N	Price:
GMD300-00-00-SE	
MFG. P/N	
	Nominal Diameter
	300mm
	Thickness
	15 mm
	Bolt Pattern
Material	
SILICON ENCAPSULATED	

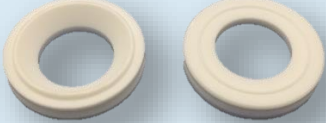





<b>DN500 SILICON ENCAPSULATED O-RING</b>	
TSI P/N	Price:
GMD500-00-00-SE	
MFG. P/N	
	Nominal Diameter
	500mm
	Thickness
	15 mm
	Bolt Pattern
Material	
SILICON ENCAPSULATED	

<b>DN300 14X12MM SILICON ENCAPSULATED SEAL</b>	
TSI P/N	Price:
GMD300-14-12-SE	
MFG. P/N	
	Nominal Diameter
	300mm
	Thickness
	14 x 12 mm
	Bolt Pattern
Material	
SILICON ENCAPSULATED	

<b>DN500 14X12 MM TEFTEK™ ULTRASEAL GASKET</b>	
TSI P/N	Price:
GMD500-14-12-TK	
MFG. P/N	
	Nominal Diameter
	500mm
	Thickness
	14 x 12 mm
	Bolt Pattern
Material	
SILICON ENCAPSULATED	






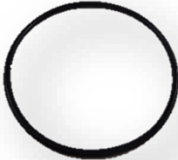

## PTFE Seats

Item	Description	TSI P/N	Equivalent to P/N	Price
1	 TOP SEAT FOR FORT VALE AIRLINE BALL VALVE	BV150XX-SP1A/02	5005-006	
2	 BOTTOM SEAT FOR FORT VALE AIRLINE BALL VALVE	BV150XX-SP2A/02	5005-007	
3	 TOP SEAT FOR GESTRA AIRLINE BALL VALVE	BV150XX-SP1A/03	gestra front	
4	 BOTTOM SEAT FOR GESTRA AIRLINE BALL VALVE	BV150XX-SP2A/03	gestra rear	
5	 MAIN SEAT FOR 2" FORT VALE B-FLY	BF200XX-SP1A/02	355/0202	
6	 MAIN SEAT FOR 3" FORT VALE B-FLY	BF300XX-SP1A/02	368/0002	


## O-rings


Item	Description	TSI P/N	Equivalent to P/N	Price
1	 FOOT VALVE ENCAPSULATED O-RING	FV300XXX-SP9A/12	5005-104	
2	 FOOT VALVE ENCAPSULATED O-RING (THICK)	FV300XXX-SP39A/12		
3	 PRV PRESSURE PLATE O-RING	PV250XX-SP9/02	5005-101	
4	 PRV VACUUM POPPET O-RING	PV250XX-SP14/12	5005-108	
5	 PRV VACUUM POPPET HOLLOW O-RING	PV250XX-SP40/12		

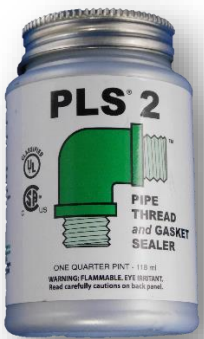
## Rubber O-rings


Item	Description	TSI P/N	Equivalent to P/N	Price
1	 EPDM O-RING FOR 3" FOOT VALVE	FV300XXX-SP29A/01		
2	 VITON O-RING FOR 3" FOOT VALVE	FV300XXX-SP30A/01		
3	 BUNA O-RING FOR 3" BUTTERFLY VALVE	BF300XX-SP37A/12		
4	 EPDM O-RING FOR 3" BUTTERFLY VALVE	BF300XX-SP29A/12		
5	 VITON O-RING FOR 3" BUTTERFLY VALVE	BF000XX-SP30A/02	20361	

# Tape & Liquid Thread Sealant

<b>1/2" Low Density Tape</b>	
TSI P/N	Price:
SP-TFT-S050	
MFG. P/N	
	Width
	1/2"
	Length
	520"
	Thickness
.004"	
Material	
PTFE	

<b>3/4" Low Density Tape</b>	
TSI P/N	Price:
SP-TFT-S075	
MFG. P/N	
	Width
	3/4"
	Length
	520"
	Thickness
.004"	
Material	
PTFE	


<b>PLS® 2 Pipe Thread</b>	
TSI P/N	Price:
SP-SLT-PLS2	
MFG. P/N	
	Brush on to seal pipe joints, plugs, screwed fittings and gasket connections in steam systems, refineries, gas service, refrigeration systems and chemical plants
Lead-free, non-hardening, non-toxic, opaque gray paste	

<b>PTFE Pipe Thread</b>	
TSI P/N	Price:
SP-SLT-TFWP	
MFG. P/N	
	Pipe thread sealant for 1/2" to 2" NPT metal piping.
This PTFE white paste has a smooth consistency and no grit.	



# Manlid Gaskets



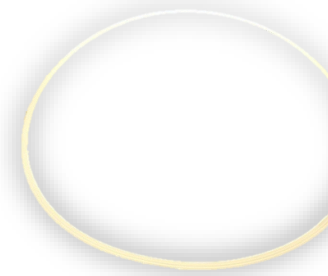
DN500 CARGOTIGHT™ Type 1 MANWAY GASKET	
TSI P/N	Price:
GMD 500-9008-CT	
MFG. P/N	
9008	
	External Diameter
	20.263" (514.7 mm)
	Internal Diameter
	19.3" (490.2 mm)
	Thickness
	13/25" (13.2 mm)
	Bolt Pattern
Material	6 or 8 bolts
VSP CARGOTIGHT™ Type 1	Bolt Dia.
	5/8", 3/4"

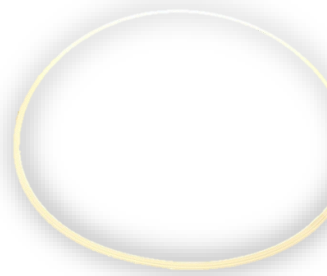
**Custom gaskets**

**Gaskets are available in various Sizes,  
Materials, & Bolt patterns**



**Please call for Quote**

DN500 CYCLETIGHT® MANWAY GASKET	
TSI P/N	Price:
GMD 500-9270-CT	
MFG. P/N	
9270	
	External Diameter
	21 15/16" (537.2 mm)
	Internal Diameter
	21" (533.4 mm)
	Thickness
	1/8" (3mm)
	Bolt Pattern
Material	24 Bolts
VSP CYCLETIGHT® TYPE 6	Bolt Dia.
	3/4", 1 1/4"

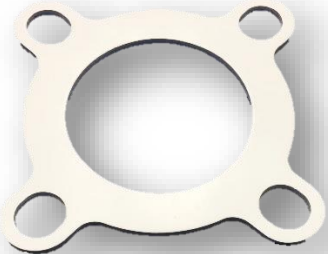
DN500 CYCLETIGHT® MANWAY GASKET	
TSI P/N	Price:
GMD 500-9259-CT	
MFG. P/N	
9259	
	External Diameter
	21 5/8" (549.3 mm)
	Internal Diameter
	20 3/4" (527.1 mm)
	Thickness
	1/8" (3mm)
	Bolt Pattern
Material	Bolts
VSP CYCLETIGHT® TYPE 6	Bolt Dia.
	7/8", 1 1/8"

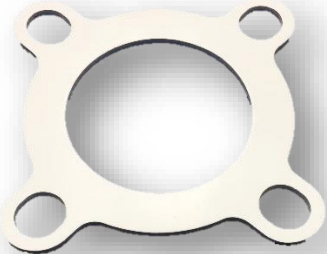


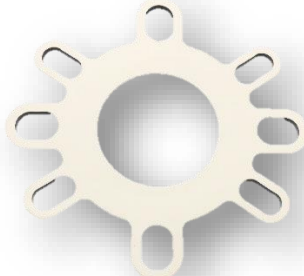
# Liquid Tank

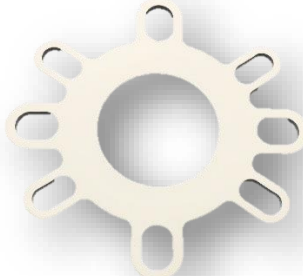
## Butterfly Gaskets



CLAMP STYLE BUTTERFLY VALVE (INLET SIDE ONLY)	
TSI P/N	Price:
GF300-8381-PT	
MFG. P/N	
VSP# 8381	
	External Diameter
	7 7/8" (200mm)
	Internal Diameter
	3" (76.2mm)
	Thickness
	1/8" (3mm)
Bolt Pattern	
Material	4 or 8 Bolts
VSP PITA® OPRA™	Bolt Dia.
	5/8"

NPS 3 CLASS 150/DIN 80 PN 16 (CLAMPED BUTTERFLY OUTLET SIDE ONLY)	
TSI P/N	Price:
GF300-8383-PT	
MFG. P/N	
VSP# 8383	
	External Diameter
	7 7/8" (200mm)
	Internal Diameter
	3 1/2" (88.9mm)
	Thickness
	1/8" (3mm)
Bolt Pattern	
Material	4 or 8 Bolt
VSP PITA® OPRA™	Bolt Dia.
	5/8"

FLANGED STYLE BUTTERFLY VALVE (INLET SIDE ONLY)	
TSI P/N	Price:
GF300-8392-PT	
MFG. P/N	
VSP# 8392	
	External Diameter
	7 5/8" (193.7mm)
	Internal Diameter
	3" (76.2mm)
	Thickness
	1/8" (3mm)
Bolt Pattern	
Material	4 or 6 Bolts
VSP PITA® OPRA™	Bolt Dia.
	1/2", 5/8"

BUTTERFLY VALVE 4 AND 6 BOLT – FT. VALE, PEROLO, GIRARD (OUTLET SIDE ONLY)	
TSI P/N	Price:
GF300-8391-PT	
MFG. P/N	
VSP# 8391	
	External Diameter
	7 5/8" (193.7mm)
	Internal Diameter
	3 1/2" (88.9mm)
	Thickness
	1/8" (3mm)
Bolt Pattern	
Material	4 or 6 Bolts
VSP PITA® OPRA™	Bolt Dia.
	1/2", 5/8"

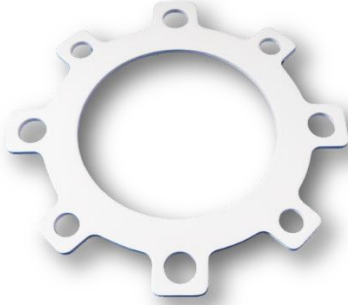


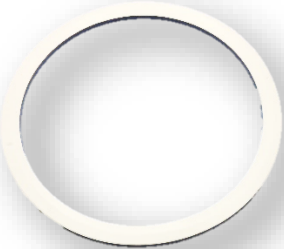
# Liquid Tank

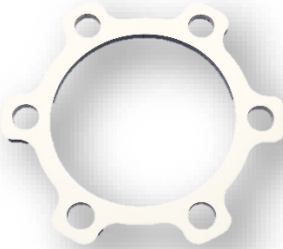
## Foot Valve & SRV Gaskets



Custom gaskets	
TSI P/N	Price:
MFG. P/N	
<p><b>Gaskets are available in various Sizes, Materials, &amp; Bolt patterns</b></p> <p><b>Please call for Quote</b></p>	External Diameter
	Internal Diameter
	Thickness
	Bolt Pattern
Material	
	Bolt Dia.

LIQUID TANK INTERNAL FOOT VALVE FLANGE, (4 AND 8 BOLT) – FT. VALE, PEROLO, GIRARD	
TSI P/N	Price:
GF300-8514-PT	
MFG. P/N	
VSP# 8514	
	External Diameter
	8 3/16" (208mm)
	Internal Diameter
	4 3/4" (120.7mm)
	Thickness
	1/8" (3mm)
	Bolt Pattern
Material	4 or 8 Bolts
	Bolt Dia.
VSP PITA® OPRA™	1/2", 5/8"

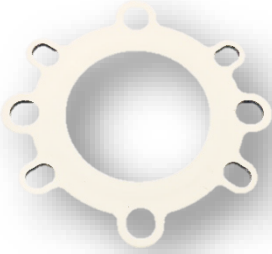
SAFETY RELIEF VALVE (THREADED) INTO TANK BASE MOUNT FLANGE - FT. VALE, PEROLO, GIRARD	
TSI P/N	Price:
GF250-8275-VG	
MFG. P/N	
VSP# 8275	
	External Diameter
	3 3/4" (95.3mm)
	Internal Diameter
	2.97" (75.438mm)
	Thickness
	1/8" (3mm)
	Bolt Pattern
Material	
	Bolt Dia.
VIRGIN PTFE	

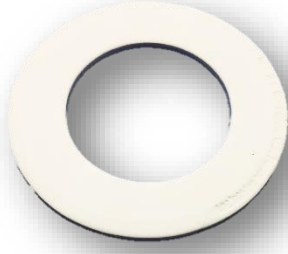
SAFETY RELIEF VALVE (THREADED), ADAPTER FLANGE TO TANK BASE MOUNT FLANGE (6 BOLT) - FT. VALE, PEROLO, GIRARD	
TSI P/N	Price:
GF250-8305-ET	
MFG. P/N	
VSP# 8305	
	External Diameter
	5" (127mm)
	Internal Diameter
	3 1/4" (82.6mm)
	Thickness
	1/8" (3mm)
	Bolt Pattern
Material	6 Bolts
	Bolt Dia.
VSP Premium ePTFE OPRA™	3/8"





# Liquid Tank

## Dip Tube Gaskets

WELD PAD TO TANK, REDUCTION FLANGE, BUTTERFLY VALVE 4 AND 6 BOLT – FT. VALE, PEROLO, GIRARD		
TSI P/N	Price:	
GF300-8425-PT		
MFG. P/N		
VSP# 8425		
		
		External Diameter
		7 5/8" (193.7mm)
		Internal Diameter
		4" (101.6mm)
		Thickness
1/8" (3mm)		
Bolt Pattern		
Material	4 or 6 Bolts	
VSP PITA® OPRA™	Bolt Dia.	
	1/2", 5/8"	

DIP TUBE FLANGE TO TANK FLANGE LARGE BORE - FT. VALE, PEROLO, GIRARD		
TSI P/N	Price:	
GF300-8395-PT		
MFG. P/N		
VSP# 8395		
		
		External Diameter
		5 7/8" (149.2mm)
		Internal Diameter
		3 3/4" (95.3mm)
		Thickness
1/8" (3mm)		
Bolt Pattern		
Material	4,6 or 8 Bolts	
VSP PITA®	Bolt Dia.	
	1/2", 5/8"	

DIP TUBE FLANGE TO TANK FLANGE, RECESSED FLANGE ONLY - FT. VALE, PEROLO, GIRARD		
TSI P/N	Price:	
GF300-8405-PT		
MFG. P/N		
VSP# 8405		
		
		External Diameter
		5 1/8" (130.2mm)
		Internal Diameter
		3 3/4" (95.3mm)
		Thickness
1/8" (3mm)		
Bolt Pattern		
Material	4 or 6 Bolts	
VSP PITA®	Bolt Dia.	
	1/2", 5/8"	


DIN 80 PN 16 DIP TUBE FLANGE TO TANK FLANGE		
TSI P/N	Price:	
GF300-8419-PT		
MFG. P/N		
VSP# 8419		
		
		External Diameter
		5.591" (142mm)
		Internal Diameter
		4" (101.6mm)
		Thickness
1/8" (3mm)		
Bolt Pattern		
Material	8 Bolts	
VSP PITA®	Bolt Dia.	
	5/8"	




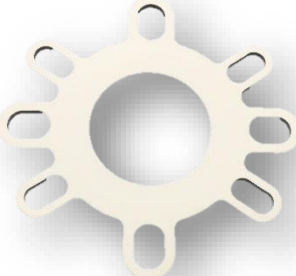



# Liquid Tank

## ANSI & DIN Gaskets

NPS 1 1/2 CLASS 150/DIN 40 PN 16 (Airline Valve Gasket)	
TSI P/N	Price:
GF150-8136-PT	
MFG. P/N	
VSP# 8136	
	External Diameter
	5.9" (149.9mm)
	Internal Diameter
	1.91" (48.5mm)
	Thickness
	1/8" (3mm)
	Bolt Pattern
Material	4 Bolt
VSP PITA® DNA™	Bolt Dia.
	1/2", 9/16", 5/8"

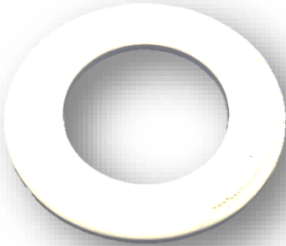
NPS 2 CLASS 150/DIN 50 PN 16 (Airline Valve Gasket)	
TSI P/N	Price:
GF200-8241-PT	
MFG. P/N	
VSP# 8241	
	External Diameter
	6 1/2" (165.1mm)
	Internal Diameter
	2 3/8" (60.3mm)
	Thickness
	1/8" (3mm)
	Bolt Pattern
Material	4 Bolt
VSP PITA® DNA™	Bolt Dia.
	1/2", 9/16", 5/8"


BUTTERFLY VALVE 4 AND 6 BOLT – (FITS- NPS 2 1/2 CLASS 150/DIN 65 PN 16)	
TSI P/N	Price:
GF300-8391-PT	
MFG. P/N	
VSP# 8391	
	External Diameter
	7 5/8" (193.7mm)
	Internal Diameter
	3 1/2" (88.9mm)
	Thickness
	1/8" (3mm)
	Bolt Pattern
Material	4 or 6 Bolts
VSP PITA® OPRA™	Bolt Dia.
	1/2", 5/8"

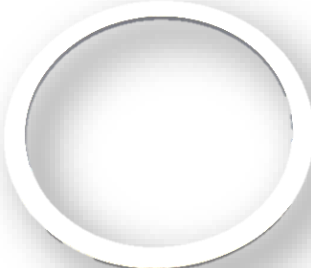
NPS 3 CLASS 150/DIN 80 PN 16	
TSI P/N	Price:
GF300-8383-PT	
MFG. P/N	
VSP# 8383	
	External Diameter
	7 7/8" (200mm)
	Internal Diameter
	3 1/2" (88.9mm)
	Thickness
	1/8" (3mm)
	Bolt Pattern
Material	4 or 8 Bolt
VSP PITA® DNA™	Bolt Dia.
	5/8"

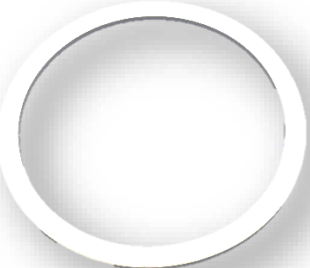


# Gas Tank Gaskets

INTERNAL VALVE FLANGE TO TANK FLANGE (NPS 2, DIN 50) – FT. VALE, MECHOTHERMIC	
TSI P/N	Price:
GF200-8231-PT	
MFG. P/N	
VSP# 8231	
	
	External Diameter
	3 3/8" (85.7mm)
	Internal Diameter
	2 3/8" (60.3mm)
	Thickness
	1/8" (3mm)
	Bolt Pattern
Material	4 or 8 Bolts
	Bolt Dia.
VSP PITA®	1/2", 5/8"

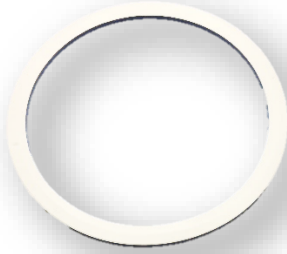
NPS 2 CLASS 150/DIN 50 PN 16 (ACME Outlet Flange Gasket)	
TSI P/N	Price:
GF200-8241-PT	
MFG. P/N	
VSP# 8241	
	
	External Diameter
	6 1/2" (165.1mm)
	Internal Diameter
	2 3/8" (60.3mm)
	Thickness
	1/8" (3mm)
	Bolt Pattern
Material	4 Bolt
	Bolt Dia.
VSP PITA® DNA™	1/2", 9/16", 5/8"

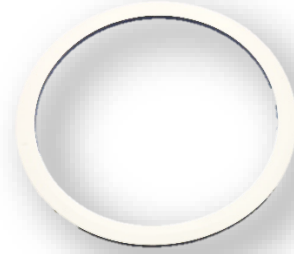
SAFETY RELIEF VALVE FLANGE - FT. VALE	
TSI P/N	Price:
GF300-8601-PT	
MFG. P/N	
VSP# 8601	
	
	External Diameter
	7 1/2" (190.5mm)
	Internal Diameter
	6 1/4" (158.8mm)
	Thickness
	1/8" (3mm)
	Bolt Pattern
Material	8 Bolts
	Bolt Dia.
VSP PITA®	1"

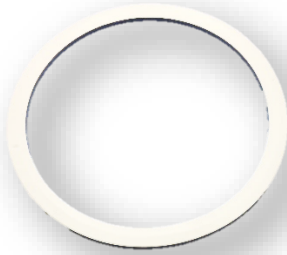
SAFETY RELIEF VALVE, RECESSED WELD PAD - FT. VALE	
TSI P/N	Price:
GF300-8602-PT	
MFG. P/N	
VSP# 8602	
	
	External Diameter
	7 1/4" (184.2mm)
	Internal Diameter
	6 1/4" (158.8mm)
	Thickness
	1/8" (3mm)
	Bolt Pattern
Material	8 Bolts
	Bolt Dia.
VSP PITA®	1"

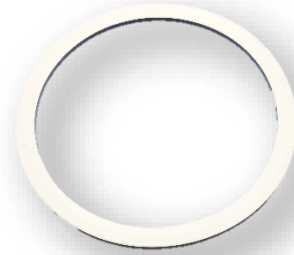


# Cap Gaskets

1 1/4" ACME Cap Gasket	
TSI P/N	Price:
GC125-8028-VG	
MFG. P/N	
VSP# 8028	
	External Diameter
	1 11/32" (34.1mm)
	Internal Diameter
	7/8" (22.2mm)
	Thickness
	1/8" (3mm)
	Bolt Pattern
Material	
VIRGIN PTFE	Bolt Dia.

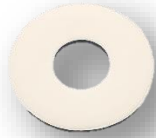
3 1/4" ACME Cap Gasket	
TSI P/N	Price:
GC325-8162-VG	
MFG. P/N	
VSP# 8162	
	External Diameter
	2 27/32" (72.2mm)
	Internal Diameter
	2 3/32" (53.2mm)
	Thickness
	1/8" (3mm)
	Bolt Pattern
Material	
VIRGIN PTFE	Bolt Dia.


2" Cap Gasket	
TSI P/N	Price:
GC200-8026-VG	
MFG. P/N	
VSP# 8026	
	External Diameter
	1 5/16" (58.7mm)
	Internal Diameter
	1" (25.4mm)
	Thickness
	1/8" (3mm)
	Bolt Pattern
Material	
VIRGIN PTFE	Bolt Dia.

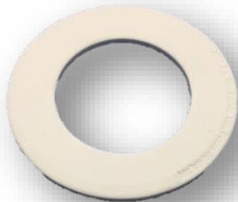
3" Cap Gasket	
TSI P/N	Price:
GC300-8265-VG	
MFG. P/N	
VSP# 8265	
	External Diameter
	3 1/2" (88.9mm)
	Internal Diameter
	2 3/4" (69.9mm)
	Thickness
	1/8" (3mm)
	Bolt Pattern
Material	
VIRGIN PTFE	Bolt Dia.

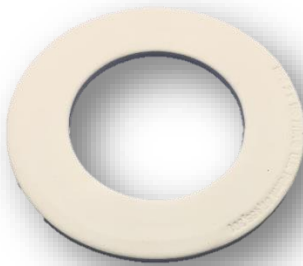


# Raised Face Flange Gaskets

NPS 3/4 CLASS 150	
TSI P/N	Price:
GF075-8035-PT	
MFG. P/N	
VSP# 8035	
	External Diameter
	1 7/8" (47.6mm)
	Internal Diameter
	7/8" (22.2mm)
	Thickness
	1/8" (3mm)
	Bolt Pattern
Material	4 Bolt
VSP PITA®	Bolt Dia.
	1/2"

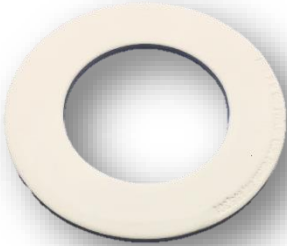
NPS 1 CLASS 150	
TSI P/N	Price:
GF100-8055-PT	
MFG. P/N	
VSP# 8055	
	External Diameter
	2 5/8" (66.7mm)
	Internal Diameter
	1 3/32" (27.8 mm)
	Thickness
	1/8" (3mm)
	Bolt Pattern
Material	4 Bolt
VSP PITA®	Bolt Dia.
	1/2"

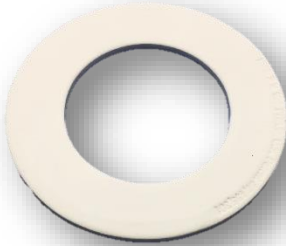
NPS 1 1/2 CLASS 150	
TSI P/N	Price:
GF150-8134-PT	
MFG. P/N	
VSP# 8134	
	External Diameter
	3 3/8" (85.7mm)
	Internal Diameter
	1 11/16" (42.9 mm)
	Thickness
	1/8" (3mm)
	Bolt Pattern
Material	4 Bolt
VSP PITA®	Bolt Dia.
	1/2"

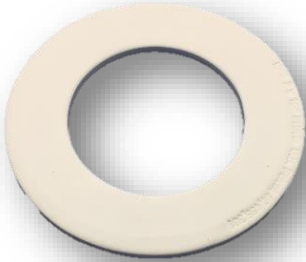
NPS 2 CLASS 150	
TSI P/N	Price:
GF200-8235-PT	
MFG. P/N	
VSP# 8235	
	External Diameter
	4 1/8" (104.8mm)
	Internal Diameter
	2 3/8" (60.3mm)
	Thickness
	1/8" (3mm)
	Bolt Pattern
Material	4 or 8 Bolt
VSP PITA®	Bolt Dia.
	1/2", 5/8"

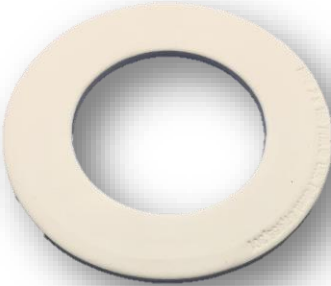


# Raised Face Flange Gaskets

NPS 2 1/2 CLASS 150/DIN 65 PN 16	
TSI P/N	Price:
GF250-8285-PT	
MFG. P/N	
VSP# 8285	
	External Diameter
	4 7/8" (123.8 mm)
	Internal Diameter
	2 7/8" (73 mm)
	Thickness
	1/8" (3mm)
	Bolt Pattern
Material	4 Bolt
VSP PITA®	Bolt Dia.
	5/8"

NPS 3 CLASS 150	
TSI P/N	Price:
GF300-8362-PT	
MFG. P/N	
VSP# 8362	
	External Diameter
	5 3/8" (136.5mm)
	Internal Diameter
	3 1/2" (88.9mm)
	Thickness
	1/8" (3mm)
	Bolt Pattern
Material	4 or 8 Bolt
VSP PITA®	Bolt Dia.
	5/8"

NPS 4 CLASS 150	
TSI P/N	Price:
GF400-8500-PT	
MFG. P/N	
VSP# 8500	
	External Diameter
	6 7/8" (174.6mm)
	Internal Diameter
	4 1/2" (114.3mm)
	Thickness
	1/8" (3mm)
	Bolt Pattern
Material	8 Bolt
VSP PITA®	Bolt Dia.
	5/8"


NPS 5 CLASS 150	
TSI P/N	Price:
GF500-8553-PT	
MFG. P/N	
VSP# 8553	
	External Diameter
	7 3/4" (196.9 mm)
	Internal Diameter
	5 9/16" (141.3mm)
	Thickness
	1/8" (3mm)
	Bolt Pattern
Material	8 Bolt
VSP PITA®	Bolt Dia.
	5/8", 3/4"




# Tape & Anti-Seize

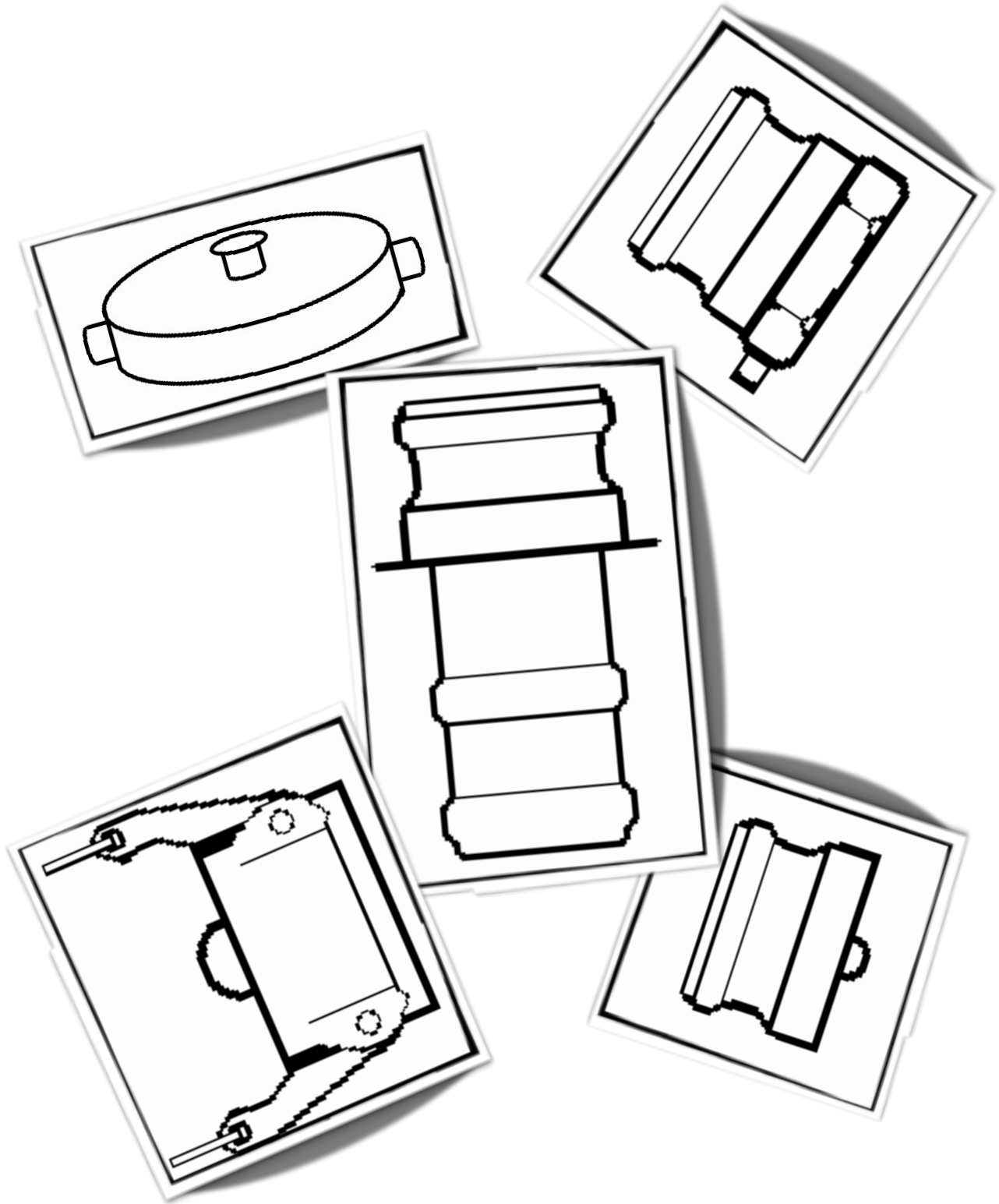
1/2" High Density Thread Seal Tape	
TSI P/N	Price:
SP-TFT-H050	
MFG. P/N	
	Width
	1/2"
	Length
	260"
	Thickness
	.004"
Material	
100% Expanded PTFE	

3/4" High Density Thread Seal Tape	
TSI P/N	Price:
SP-TFT-H075	
MFG. P/N	
	Width
	3/4"
	Length
	520"
	Thickness
	.004"
Material	
100% Expanded PTFE	

Anti-Seize Jet Lube 550®	
TSI P/N	Price:
SP-LBR-JT55	
MFG. P/N	
	Its homogeneous composition offers maximum protection against seizure and heat freeze, eases assembling and dismantling, and saves man hours
Material	
PETROCHEMICAL LUBRICANT	

Anti-Seize Jet Lube® White Knight™	
TSI P/N	Price:
SP-LBR-JTWK	
MFG. P/N	
	WHITE KNIGHT™ protects metal parts from seizure, galling, rust, corrosion and heat freeze by tenaciously adhering to the metal surface.
Material	
Food Grade Mineral Oil & Synthetic White Paste	

# Dust Caps and Fittings



## Dust Caps



### BSP Dust Caps

Item	Description	TSI P/N	Price
<b>316 STAINLESS STEEL</b>			
1	3/4" DUST CAP	DC075-BSP-316	
2	1" DUST CAP	DC100-BSP-316	
3	1 1/2" DUST CAP	DC150-BSP-316	
4	2" DUST CAP	DC200-BSP-316	
5	3" DUST CAP	DC300-BSP-316	
<b>ALUMINUM</b>			
6	3/4" DUST CAP	DC075-BSP-AL	
7	1" DUST CAP	DC100-BSP-AL	
8	1 1/4" DUST CAP	DC125-BSP-AL	
9	1 1/2" DUST CAP	DC150-BSP-AL	
10	3" DUST CAP	DC300-BSP-AL	

### NPT Dust Caps

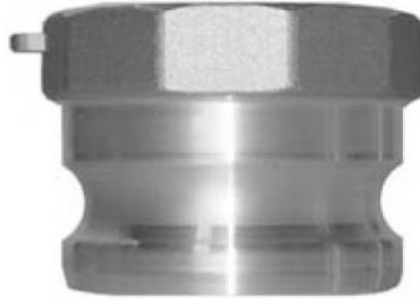
Item	Description	TSI P/N	Price
<b>316 STAINLESS STEEL</b>			
11	3/4" DUST CAP	DC075-NPT-316	
12	1" DUST CAP	DC100-NPT-316	
13	1 1/2" DUST CAP	DC150-NPT-316	
14	3" DUST CAP	DC300-NPT-316	



# Cap Adapters

Item	Description	TSI P/N	Price
	1 1 1/2" FEMALE BSP X 3/4" MALE BSP - SS	CA150FB-075MB-316	
	2 1 1/2" FEMALE BSP X 3/4" FEMALE NPT - SS	CA150FB-075FN-316	
	3 2" FEMALE BSP X 3/4" FEMALE NPT - SS	CA200FB-075FN-316	
	4 3" FEMALE BSP X 2" MALE NPT - SS	CA300FB-200MN-316	
	5 3" FEMALE BSP X 3" MALE NPT - SS	CA300FB-300MN-316	
	6 3" FEMALE NPSM X 2" MALE NPT - SS	CA300FN-200MN-316	

# Cam and Groove Fittings



## Part A Male Adapter X Female Threads BSP

Size	316 SS	
	P/N	Price
1 1/2"	CG150A-BSP-316	
2"	CG200A-BSP-316	
3"	CG300A-BSP-316	

### BSP Parallel

Size	Description	316 SS	
		P/N	Price
2"	<b>PART A WITHOUT GASKET</b>	CG200A-BSPX-316	
3"	<b>PART A WITHOUT GASKET</b>	CG300A-BSPX-316	
3"	<b>PART A WITH GASKET</b>	CG300A-BSPX-316-G	

### NPT

Size	316 SS		304 SS		Poly	
	P/N	Price	P/N	Price	P/N	Price
3/4"	CG075A-NPT-316		CG075A-NPT-304		CG075A-NPT-PP	
1"	CG100A-NPT-316		CG100A-NPT-304		CG100A-NPT-PP	
1 1/2"	CG150A-NPT-316		CG150A-NPT-304		CG150A-NPT-PP	
2"	CG200A-NPT-316		CG200A-NPT-304		CG200A-NPT-PP	
3"	CG300A-NPT-316		CG300A-NPT-304		CG300A-NPT-PP	

**Note: Other sizes and materials available upon request**



## Part B

### Female Coupler X Male Threads

#### BSP

Size	316 SS	
	P/N	Price
1 1/2"	CG150B-BSP-316	
2"	CG200B-BSP-316	
3"	CG300B-BSP-316	

#### NPT

Size	316 SS		304 SS		Poly	
	P/N	Price	P/N	Price	P/N	Price
3/4"	CG075B-NPT-316		CG075B-NPT-304		CG075B-NPT-PP	
1"	CG100B-NPT-316		CG100B-NPT-304		CG100B-NPT-PP	
1 1/2"	CG150B-NPT-316		CG150B-NPT-304		CG150B-NPT-PP	
2"	CG200B-NPT-316		CG200B-NPT-304		CG200B-NPT-PP	
3"	CG300B-NPT-316		CG300B-NPT-304		CG300B-NPT-PP	

**Note: Other sizes and materials available upon request**



## Part C

### Female Coupler X Hose Shank

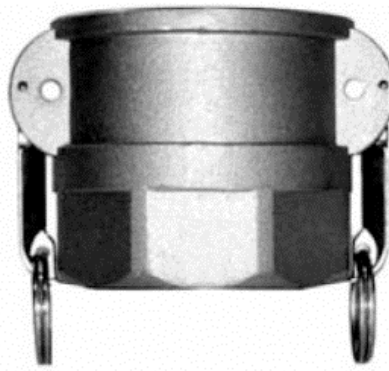
Size	316 SS		304 SS		Poly	
	P/N	Price	P/N	Price	P/N	Price
3/4"	CG075C-316		CG075C-304		CG075C-PP	
1"	CG100C-316		CG100C-304		CG100C-PP	
1 1/2"	CG150C-316		CG150C-304		CG150C-PP	
2"	CG200C-316		CG200C-304		CG200C-PP	
3"	CG300C-316		CG300C-304		CG300C-PP	



## Part E

### Male Adapter X Hose Shank

Size	316 SS		304 SS		Poly	
	P/N	Price	P/N	Price	P/N	Price
3/4"	CG075E-316		CG075E-304		CG075E-PP	
1"	CG100E-316		CG100E-304		CG100E-PP	
1 1/2"	CG150E-316		CG150E-304		CG150E-PP	
2"	CG200E-316		CG200E-304		CG200E-PP	
3"	CG300E-316		CG300E-304		CG300E-PP	



## Part D

### Female Coupler X Female Threads

#### BSP

Size	316 SS	
	P/N	Price
1 1/2"	CG150D-BSP-316	
2"	CG200D-BSP-316	
3"	CG300D-BSP-316	

#### NPT

Size	316 SS		304 SS		Poly	
	P/N	Price	P/N	Price	P/N	Price
3/4"	CG075D-NPT-316		CG075D-NPT-304		CG075D-NPT-PP	
1"	CG100D-NPT-316		CG100D-NPT-304		CG100D-NPT-PP	
1 1/2"	CG150D-NPT-316		CG150D-NPT-304		CG150D-NPT-PP	
2"	CG200D-NPT-316		CG200D-NPT-304		CG200D-NPT-PP	
3"	CG300D-NPT-316		CG300D-NPT-304		CG300D-NPT-PP	

**Note: Other sizes and materials available upon request**



## Part F

### Male Adapter X Female Threads

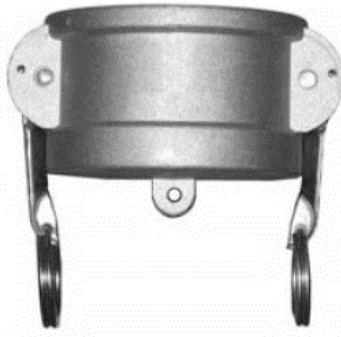
#### BSP

Size	316 SS	
	P/N	Price
1 1/2"	CG150F-BSP-316	
2"	CG200F-BSP-316	
3"	CG300F-BSP-316	

#### NPT

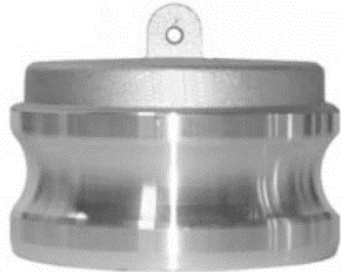
Size	316 SS		304 SS		Poly	
	P/N	Price	P/N	Price	P/N	Price
3/4"	CG075F-NPT-316		CG075F-NPT-304		CG075F-NPT-PP	
1"	CG100F-NPT-316		CG100F-NPT-304		CG100F-NPT-PP	
1 1/2"	CG150F-NPT-316		CG150F-NPT-304		CG150F-NPT-PP	
2"	CG200F-NPT-316		CG200F-NPT-304		CG200F-NPT-PP	
3"	CG300F-NPT-316		CG300F-NPT-304		CG300F-NPT-PP	

**Note: Other sizes and materials available upon request**



## Part DC Dust Cap

Size	316 SS		304 SS		Poly	
	P/N	Price	P/N	Price	P/N	Price
3/4"	CG075DC-316		CG075DC-304		CG075DC-PP	
1"	CG100DC-316		CG100DC-304		CG100DC-PP	
1 1/2"	CG150DC-316		CG150DC-304		CG150DC-PP	
2"	CG200DC-316		CG200DC-304		CG200DC-PP	
3"	CG300DC-316		CG300DC-304		CG300DC-PP	



## Part DP Dust Plug

Size	316 SS		304 SS		Poly	
	P/N	Price	P/N	Price	P/N	Price
3/4"	CG075DP-316		CG075DP-304		CG075DP-PP	
1"	CG100DP-316		CG100DP-304		CG100DP-PP	
1 1/2"	CG150DP-316		CG150DP-304		CG150DP-PP	
2"	CG200DP-316		CG200DP-304		CG200DP-PP	
3"	CG300DP-316		CG300DP-304		CG300DP-PP	






# Pipe Fittings

	Item	Description	TSI P/N	Price
1		1/4" HEX PLUG - 150# - 304SS	PF-PGH025-N150-304	
2		1/4" SOLID HEX PLUG - 150# - 316SS	PF-PGH025-N150-316	
3		1/4" SQUARE PLUG - 3000# - 316SS	PF-PGS025-N300-316	
4		1/4" BSP STREET ELBOW - 150# - 316SS	PF-SLB025-B150-316	
5		1-1/2" BSP STREET ELBOW - 150# - 316SS	PF-SLB150-B150-316	

**Note: Other pipe fittings also available. Please call.**



# Crowfoot Fittings

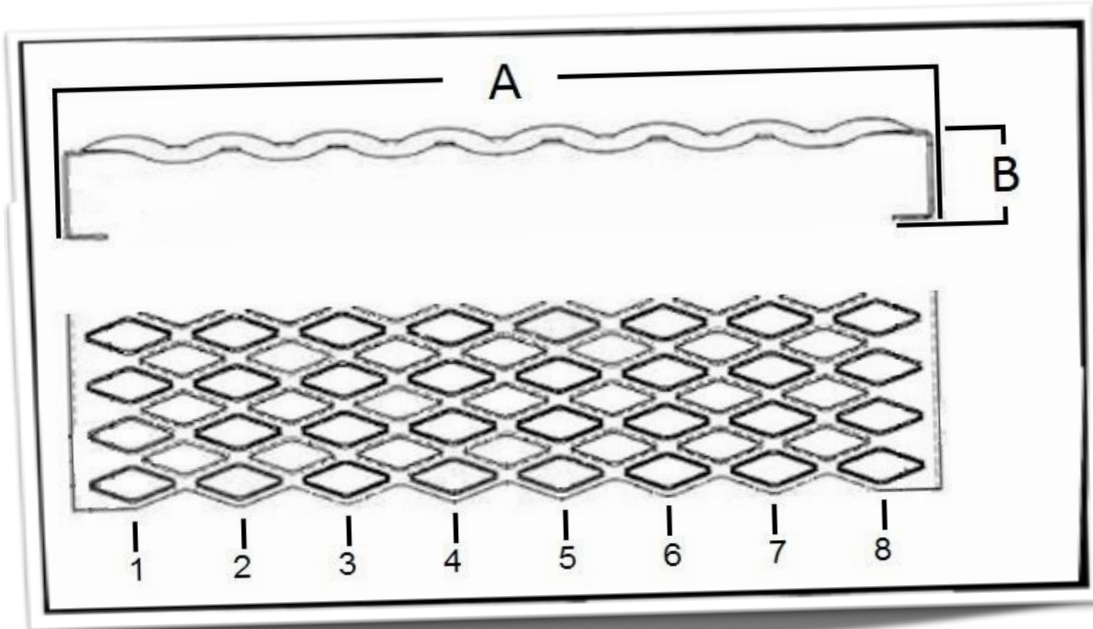
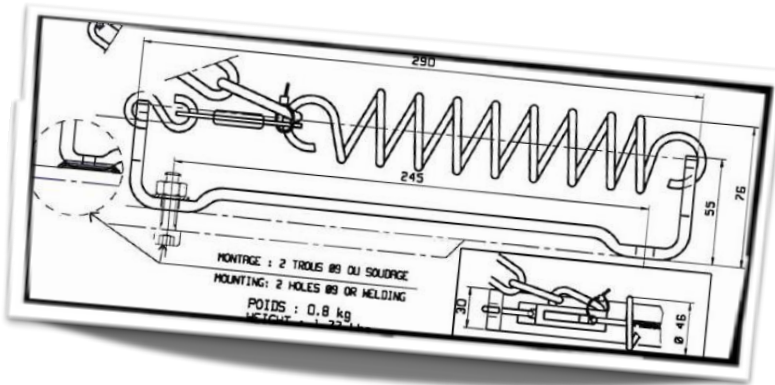
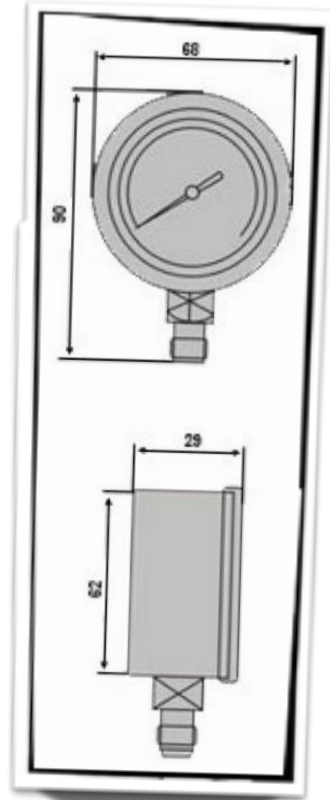
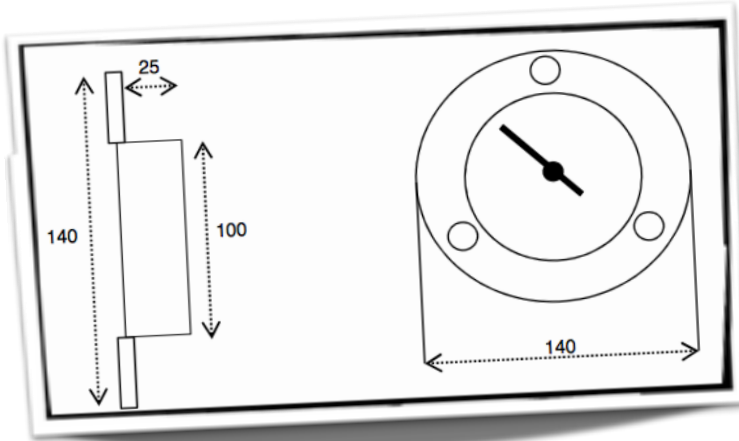
Item	Description	TSI P/N	Price
1	 <p>CROWFOOT BLIND CAP - STAINLESS STEEL</p>	PF-CFT000-BCAP-SS	
2	 <p>CROWFOOT X 3/4" FEMALE NPT THREADS - SS</p>	PF-CFT075-FNPT-316	
3	 <p>CROWFOOT X 1" FEMALE NPT THREADS - SS</p>	PF-CFT100-FNPT-SS	
4	 <p>CROWFOOT X 3/4" MALE NPT THREADS - SS</p>	PF-CFT075-MNPT-316	
5	 <p>CROWFOOT X 1" MALE NPT THREADS - SS</p>	PF-CFT100-MNPT-SS	

# Driver's Kit



Description	TSI P/N	Price
<b>Driver's Kit</b>	MISC-KIT-DRVR	

# Tank Parts & Accessories



# Rupture Disc



Item	Description	Style	TSI P/N	Price
<b>2 1/2" DISC</b>				
1	2 1/2" RUPTURE DISC- 3.67 BAR	ICON	RD250-ICD-367	
2	2 1/2" RUPTURE DISC- 3.75 BAR	ICON	RD250-ICD-375	
3	2 1/2" RUPTURE DISC- 4.10 BAR	ICON	RD250-ICD-410	
4	2 1/2" RUPTURE DISC- 4.84 BAR	ICON	RD250-ICD-484	
5	2 1/2" RUPTURE DISC- 6.80 BAR	ICON	RD250-ICD-680	
6	2 1/2" RUPTURE DISC- 8.03 BAR	ICON	RD250-ICD-803	
<b>3" DISC</b>				
7	3" RUPTURE DISC- 4.84 BAR	ICON	RD300-ICD-484	
8	3" RUPTURE DISC- 6.90 BAR	ICON	RD300-ICD-690	
9	3" RUPTURE DISC- 8.03 BAR	ICON	RD300-ICD-803	
<b>10" DISC</b>				
10	10" RUPTURE DISC- 4.50 BAR	STD	RD1000-ICD-450	
11	10" RUPTURE DISC- 6.00 BAR	STD	RD1000-ICD-600	
<b>89 MM DISC</b>				
12	REVERSED ACTING RUPTURE DISC - 12.1 - 40 BAR AT 55°	SPECIAL		

**Note: Other styles and sizes available upon request**

## Gauges



### Pressure Gauge (glycerin filled)

**1/4" BSP**

Item	Description	TSI P/N	Price
1	2 1/2" 0-7 BAR - BOTTOM MOUNT- DUAL - SS	PG250-700-BM25B-SS	
2	2 1/2" 0-7 BAR - BOTTOM MOUNT- SS - DRAG POINTER	PG250-700-BM25B-SS-MX	
3	2 1/2" 0-10 BAR - BOTTOM MOUNT- SS	PG250-1000-BM25B-SS	

**1/4" NPT**


Item	Description	TSI P/N	Price
4	2 1/2" 0-15 PSI - BOTTOM MOUNT - CS	PG250-103-BM25N-CS	
5	2 1/2" 0-60 PSI - BOTTOM MOUNT - SS	PG250-414-BM25N-SS	
6	2 1/2" 0-100 PSI - BOTTOM MOUNT- SS	PG250-689-BM25N-SS	
7	2 1/2" 0-160 PSI - BOTTOM MOUNT- SS	PG250-1103-BM25N-SS	
8	2 1/2" 0-200 PSI - BOTTOM MOUNT - SS	PG250-1379-BM25N-SS	
9	2 1/2" 0-600 PSI - BOTTOM MOUNT - SS	PG250-4137-BM25N-SS	
10	2 1/2" 0-600 PSI - BACK MOUNT - SS	PG250-4137-BK25N-SS	





### 4" Thermometer (glycerin filled)

Item	Description	TSI P/N	Price
11	4" THERMOMETER - 1.5% ACCURACY - 20-200°F	TG400-200-15-DL	
12	4" THERMOMETER - 1.5% ACCURACY - 20-200°F w/ Glass Protection	TG400-200-15-DL-GP	

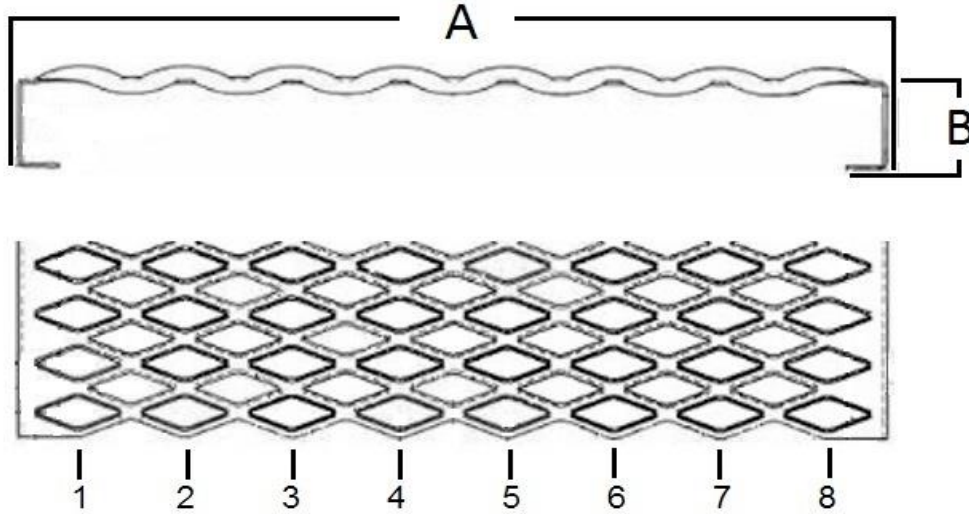
## Inline Ball Valves

<b>1 Piece Inline Ball Valves</b>				
	Item	Description	TSI P/N	Price
	1	1 1/2" INLINE BALL VALVE - <b>BSP</b> – SS	BV150SB-BP-BP-SS	
	2	1/4" INLINE BALL VALVE - NPT- SS	BV025SB-NP-NP-SS	
	3	3/8" INLINE BALL VALVE - NPT- SS	BV038SB-NP-NP-SS	
	4	1/2" INLINE BALL VALVE - NPT- SS	BV050SB-NP-NP-SS	
	5	3/4" INLINE BALL VALVE - NPT- SS	BV075SB-NP-NP-SS	
	6	1" INLINE BALL VALVE - NPT- SS	BV100SB-NP-NP-SS	
	7	1 1/2" INLINE BALL VALVE - NPT – SS	BV150SB-NP-NP-SS	
	8	2" INLINE BALL VALVE - NPT- SS	BV200SB-NP-NP-SS	
	9	2" INLINE BALL VALVE - NPT- SS (REVERSE HANDLE)	TT-BV200-NPT-SS	

<b>2 Piece Inline Ball Valves</b>				
	Item	Description	TSI P/N	Price
	10	1 1/2" INLINE 2PCS BALL VALVE - NPT – SS	BV150SB-NP-NP-SS-2P	
	11	2" INLINE 2PCS BALL VALVE - NPT- SS	BV200SB-NP-NP-SS-2P	

<b>3 Piece Inline Ball Valves</b>				
	Item	Description	TSI P/N	Price
	12	1 1/2" INLINE 3PCS BALL VALVE – NPT-SS	BV150SB-NP-NP-SS-3P	
	13	2" INLINE 3PCS BALL VALVE - NPT- SS	BV200SB-NP-NP-SS-3P	

# Catwalks



Item	Diamond	A	B	Material	TSI P/N	Price per foot
1	2 diamond	4 <sup>3</sup> / <sub>4</sub> "	2"	Aluminum	CW2-200-10-AL	
2	3 diamond	7"	2"	Aluminum	CW3-200-10-AL	
3	4 diamond	9 <sup>1</sup> / <sub>2</sub> "	2"	Aluminum	CW4-200-10-AL	
4	5 diamond	11 <sup>3</sup> / <sub>4</sub> "	2"	Aluminum	CW5-200-10-AL	
5	5 diamond	11 <sup>3</sup> / <sub>4</sub> "	1 <sup>1</sup> / <sub>2</sub> "	Aluminum	CW5-150-10-AL	
6	6 diamond	15 <sup>3</sup> / <sub>4</sub> "	1 <sup>1</sup> / <sub>2</sub> "	Aluminum	CW6-150-10-AL	
7	8 diamond	18 <sup>3</sup> / <sub>4</sub> "	1 <sup>1</sup> / <sub>2</sub> "	Aluminum	CW8-150-10-AL	
8	8 diamond	18 <sup>3</sup> / <sub>4</sub> "	2"	Aluminum	CW8-200-10-AL	

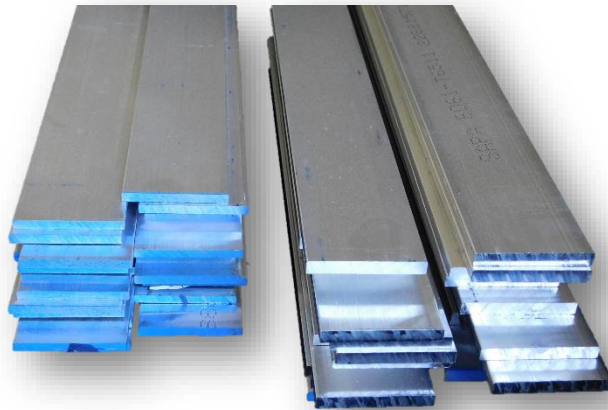
**Note: Other sizes available upon request  
Stainless steel and galvanized available upon request**

## Catwalk Accessories

Item	Description	TSI P/N	Price
1		WALKWAY ELEMENT FITTINGS	CW-08-25-A2-SS-NY
2		COLLAPSIBLE HANDRAILS	CW-HANDRAIL
3		ALUMINUM TREAD GRIP SHEET – 3' X 10'	CW-TG36X120-AL
4		2 ROW LADDER RUNG – ALUMINUM	CW-LR-2R-AL
5		2 ROW LADDER RUNG – STAINLESS STEEL	CW-LR-2R-SS
6		DIAMOND WASHER FOR WALKWAY	CW-DW-AL




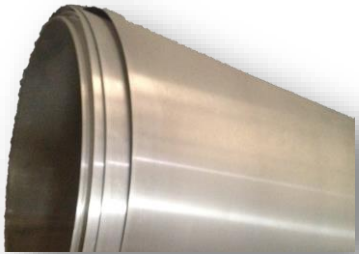


# Aluminum Flat Bar



	Width Size	Thickness	TSI P/N	Price
1	1 1/2"	1/8"	STR-FB150-013-AL	
2	1 1/2"	1/4"	STR-FB150-025-AL	
3	1 1/2"	3/16"	STR-FB150-019-AL	
4	2"	1/8"	STR-FB200-013-AL	
5	2"	1/4"	STR-FB200-025-AL	
6	2"	3/16"	STR-FB200-019-AL	





**Note: Aluminum Flat Bar comes in standard 12' lengths**

# Cladding

Item	Description	TSI P/N	Price
1	 <p data-bbox="711 478 943 569">48" GRP Cladding 500ft Length</p>	CL-FG-048065-WT	
2	 <p data-bbox="703 831 951 951">48" Gray Aluminum Cladding 790ft Length</p>	CL-AL-048040-ML	
3	 <p data-bbox="695 1192 959 1312">48" White Aluminum Cladding 790ft Length</p>	CL-AL-048040-WM	
4	 <p data-bbox="708 1560 946 1680">48" Stainless Steel Cladding 430ft Length</p>	CL-SS-048030-BA	


**Note: We can cut to length on any cladding upon request**

# Cladding

Item	Description	TSI P/N	Price
5	 <p>56" WHITE GRP CLADDING 790ft Length</p>	CL-FG-056065-WT	
6	 <p>72" GREY GRP CLADDING 790ft Length</p>	CL-FG-072065-GR	
7	 <p>Cladding Heads Material: Fiber Glass Type: Frame Tank</p>	CL-TANKHEAD-FR	
8	 <p>Cladding Heads Material: Fiber Glass Type: Beam Tank</p>	CL-TANKHEAD-BM	

**Note: We can cut to length on any cladding upon request**

# Insulation

Item	Description	TSI P/N	Price
1	 <p data-bbox="704 352 951 541"><b>1" Board Insulation URETHANE 48"x 8' Sheet</b></p>	CL-INSL100-UTH048	
2	 <p data-bbox="704 737 951 873"><b>1 1/2" Mineral Wool 3' Wide 90 SQ Ft Per Box</b></p>	CL-INSL150-MWL036	
3	 <p data-bbox="704 1094 951 1230"><b>2" Mineral Wool 3' Wide 78 SQ Ft Per Box</b></p>	CL-INSL200-MWL036	

# Cladding Banding

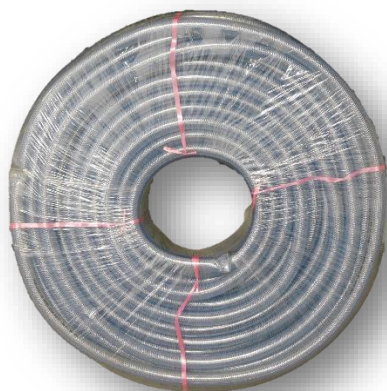
	Item	Description	TSI P/N	Price
1		<p><b>2" Stainless Steel Banding</b></p> <p>Size: 2" x 200ft</p>	CL-BND200-SS029-ML	
2		<p><b>3" Stainless Steel Banding</b></p> <p>Size: 3" x 200ft</p>	CL-BND300-SS029-ML	
3		<p><b>Rubber Strip</b></p> <p>3" x 1/8"</p>	CL-BND300-RBSTRP	
4		<p><b>Rubber Strip</b></p> <p>4" x 1/8"</p>	CL-BND400-RBSTRP	

# Rivets





Item	Description	TSI P/N	Price per 100
1	3/16" X 1/4" POP RIVET – AL - PER RIVET	CL-RVT64-AL	
2	3/16" X 1/2" POP RIVET – AL - PER RIVET	CL-RVT68-AL	
3	3/16" X 1/2" POP RIVET – <b>LARGE FLANGE</b> - AL - PER RIVET	CL-RVT68-AL-LF	
4	3/16" X 1/2" POP RIVET – SS - PER RIVET	CL-RVT68-SS	
5	3/16" X 1/2" POP RIVET – <b>LARGE FLANGE</b> - SS - PER RIVET	CL-RVT68-SS-LF	

# Drain Hose



Item	Description	Length per roll	TSI P/N	Price per foot
1	3/4" CLEAR BRAIDED PVC HOSE	300 ft	HS075-103CBS150	
2	1" CLEAR BRAIDED PVC HOSE	300 ft	HS100-130CBS125	
3	1 1/4" CLEAR BRAIDED PVC HOSE	50 ft	HS125-162CBS100	
4	1 1/2" CLEAR BRAIDED PVC HOSE	50 ft	HS150-194CBS100	
5	2" CLEAR BRAIDED PVC HOSE	50 ft	HS200-249CBS075	

## Drain Hose Accessories

Item	Image	Description	TSI P/N	Price
1		1" TEE HOSE BARB ENDS	HS100-TEE-BRB-PL	
2		1" ELBOW HOSE BARB ENDS	HS100-ELB-BRB-PL	



## Hose Clamps


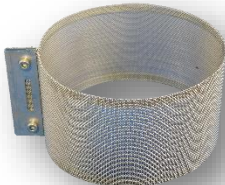



Item	Description	TSI P/N	Price
3	1-1/2" HOSE CLAMP - 1/2" THICK – DIAMETER RANGE: 13/16" X 1-1/2" - 304SS	HS150-CLP-050-304	
4	1-3/4" HOSE CLAMP - 0.5" THICK – DIAMETER RANGE: 13/16" X 1-3/4" - 304SS	HS175-CLP-050-304	
5	2" HOSE CLAMP - 1/2" THICK – DIAMETER RANGE: 1-5/16" X 2-1/4" - 304SS	HS200-CLP-050-304	
6	3" HOSE CLAMP - 1/2" THICK – DIAMETER RANGE: 2-1/16" X 3" - 304SS	HS300-CLP-050-304	



## Remote Cable





Item	Description	TSI P/N	Price
1	 <p>1/16" Ferrule - SS</p>	MISC-FRL-063S	
2	 <p>1/8" Ferrule - SS</p>	MISC-FRL-125S	
3	 <p>1/16" Rope Clamp - SS</p>	MISC-RCC-063S	
4	 <p>1/8" Rope Clamp - SS</p>	MISC-RCC-125S	
5	 <p>1/16" Cable - SS</p>	MISC-CBL-063S	
6	 <p>1/8" Cable - SS</p>	MISC-CBL-125S	
7	 <p>Fusible Link</p>	MISC-FUS-LINK	

## Valve Accessories

	Item	Description	TSI P/N	Price
1		<p style="text-align: center;"><b>FLAME SCREEN FOR PEROLO 2.5" PRV OLD DESIGN</b></p>	<p style="text-align: center;">PV250XX-SK4/01</p>	
2		<p style="text-align: center;"><b>FLAME SCREEN FOR PEROLO 2.5" PRV NEW STYLE</b></p>	<p style="text-align: center;">PV250XX-SK4B/01</p>	
3		<p style="text-align: center;"><b>FLAME SCREEN FOR FORT VALE 2.5" PRV</b></p>	<p style="text-align: center;">PV250XX-SK4/02</p>	
4		<p style="text-align: center;"><b>RAIN PLUG FOR PEROLO PRV</b></p>	<p style="text-align: center;">PV000XX-SP25/01</p>	
5		<p style="text-align: center;"><b>RAIN PLUG FOR FORT VALE PRV</b></p>	<p style="text-align: center;">PV000XX-SP25/02</p>	

## Swing Bolt Accessories

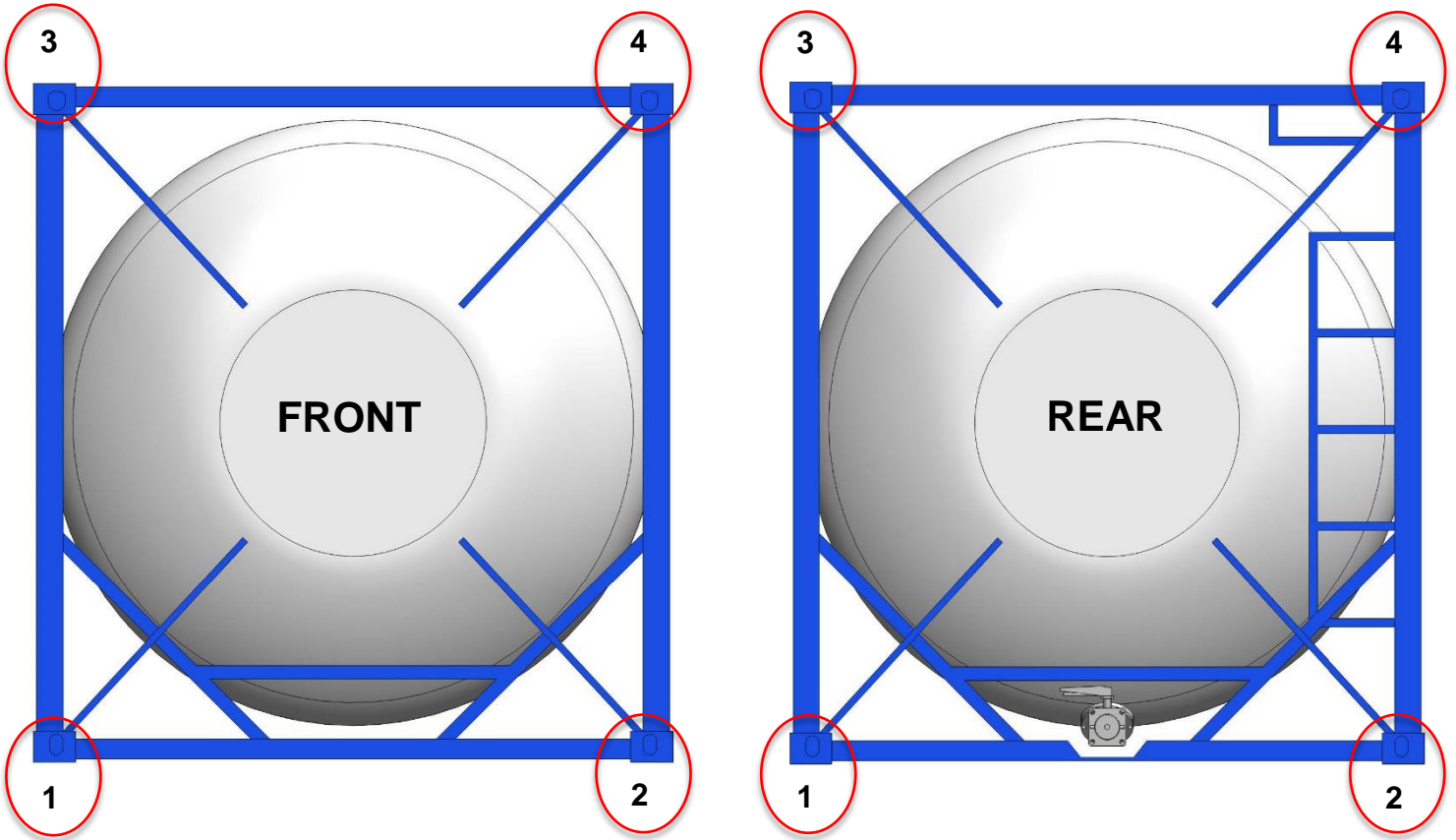
Item	Description	TSI P/N	Price
1		<b>SET SCREW WASHER FOR PEROLO SWINGBOLT</b>	MLSWBT-WSH-PL
2		<b>6MM X 8MM BUTTON HEAD SCREW FOR PEROLO SWINGBOLT</b>	FA-QXBK06X008
3		<b>6MM X 8MM SET SCREW FOR PEROLO SWINGBOLT</b>	MLSWBT-SET-PL
4		<b>8MM X 8MM SET SCREW FOR SWINGBOLT - LARGE PIN</b>	MLSWBT-SET-FV

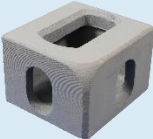

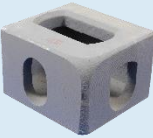
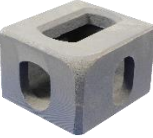
Item	Description	TSI P/N	Price
5		<b>66MM EYE BOLT KIT - 16 MM PIN</b>	MLSWBT-66-16SS
6		<b>66MM EYE BOLT KIT - 19 MM PIN</b>	MLSWBT-66-19SS
7		<b>89MM EYE BOLT KIT - 16 MM PIN</b>	MLSWBT-89-16SS
8		<b>89MM EYE BOLT KIT - 19 MM PIN</b>	MLSWBT-89-19SS

# Manlid Accessories

Item	Description	TSI P/N	Price
<p>1</p> 	<p><b>Straight Pin</b></p>	<p>MISC-PIN-STRT</p>	
<p>2</p> 	<p><b>Manlid Bracket For Swing Bolt</b></p>	<p>MLSWBT-BRK-SS</p>	
<p>3</p> 	<p><b>Seal Tab</b></p>	<p>MISC-STB-BVBF</p>	
<p>4</p> 	<p><b>Plastic Security Seal</b></p>	<p>MISC-TIR-SBPL</p>	
<p>5</p> 	<p><b>Security Metal Seal</b></p>	<p>MISC-TIR-SBGV</p>	

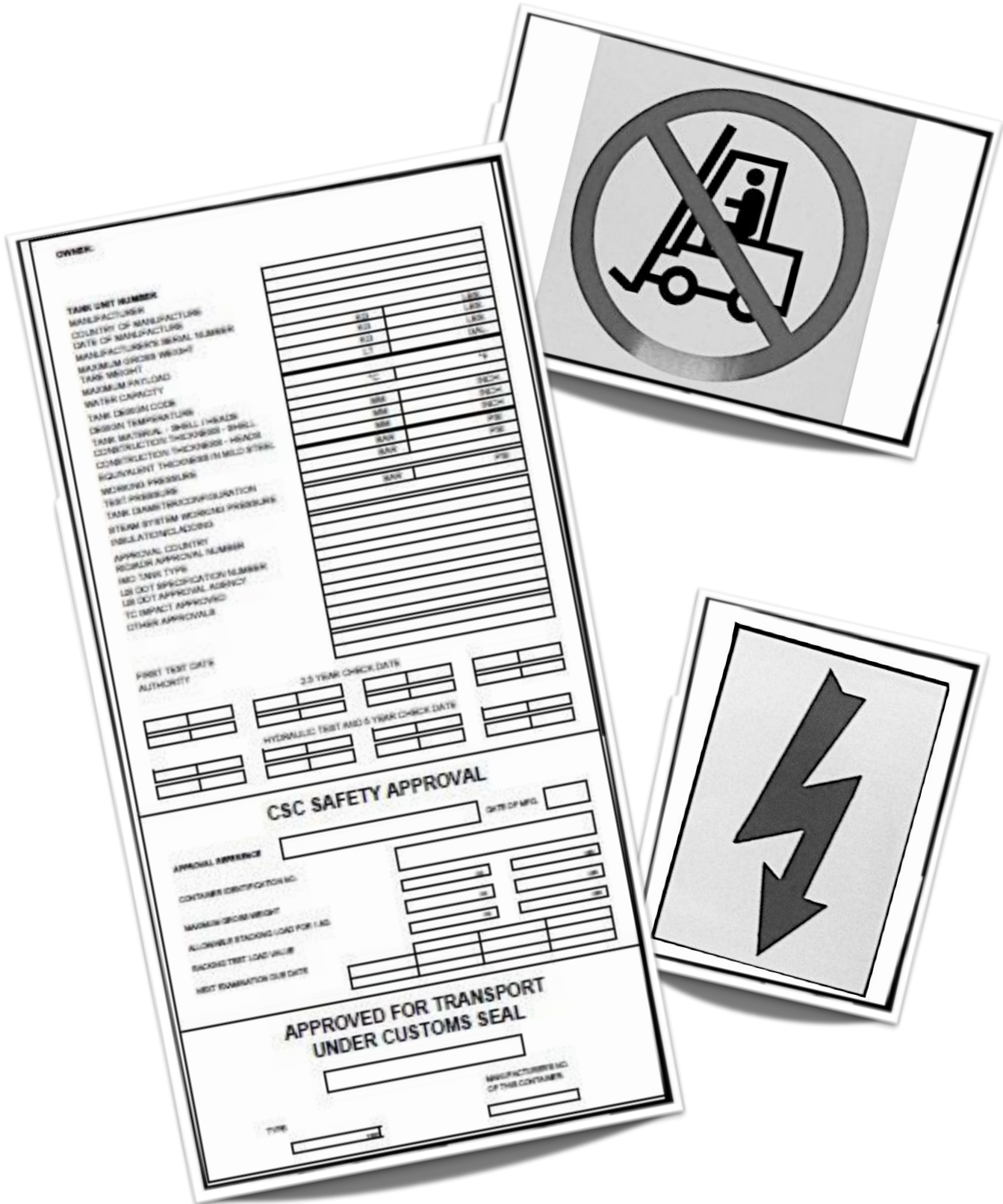
# Corner Castings




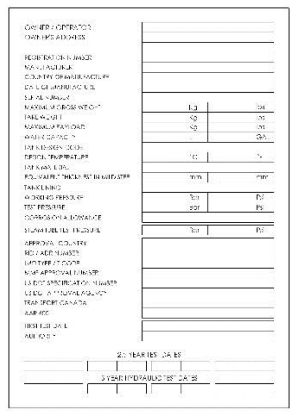

Item	Description	TSI P/N	Price
1	 <b>BOTTOM LEFT CORNER CASTING</b>	STR-CC-BL-CS	
2	 <b>BOTTOM RIGHT CORNER CASTING</b>	STR-CC-BR-CS	
3	 <b>TOP LEFT CORNER CASTING</b>	STR-CC-TL-CS	
4	 <b>TOP RIGHT CORNER CASTING</b>	STR-CC-TR-CS	



# Data Plates & Decals




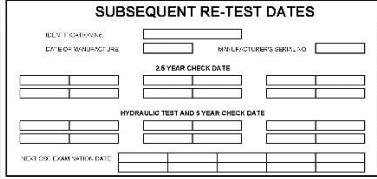
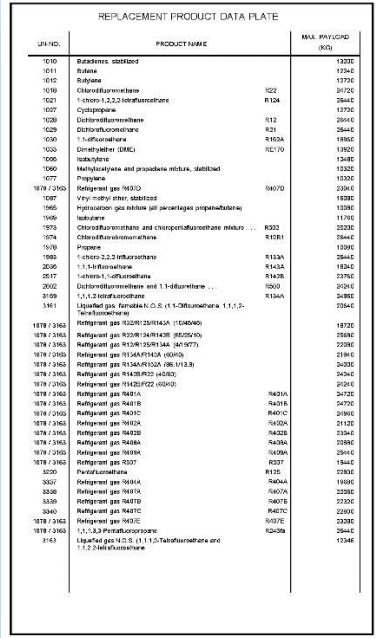
# Data Plate Templates

Item	Description	TSI P/N	Price
1	 <p><b>CONSOLIDATED DATA PLATE</b></p> <p><b>Material: SS</b></p> <p><b>Size: 8" x 20"</b></p>	DPCMB-8X20-SS	
2	 <p><b>MANUFACTURER DATA PLATE</b></p> <p><b>Material: SS</b></p> <p><b>Size: 8" x 12"</b></p>	DPMFG-8X12-SS	
3	 <p><b>CSC SAFETY APPROVAL</b></p> <p><b>CSC SAFETY APPROVAL PLATE</b></p> <p><b>Material: SS</b></p> <p><b>Size: 4" x 8"</b></p>	DPCSC-8X4-SS	





# Data Plate Templates






	Item	Description	TSI P/N	Price
4		<p><b>TIR/CUSTOMS PLATE</b></p> <p><b>Material: SS</b></p> <p><b>Size: 4" x 8"</b></p>	DPTIR-4X8-SS	
5		<p><b>SUBSEQUENT RE-TEST DATE PLATE</b></p> <p><b>Material: SS</b></p> <p><b>Size: 4" x 8"</b></p>	DPSBT-8X4-SS	
6		<p><b>PRODUCT PLATE</b></p> <p><b>Material: SS</b></p> <p><b>Size: 11 3/4" x 19 3/4"</b></p> <p>All Product Plates are Made to Order</p> <p>Please Provide Artwork and Information for Print</p>	DPPDT-19X11-SS	

Note: Custom data plates on request


# Document Holders

Item	Description	TSI P/N	Price
1	 <p>Aluminum Placard Holder</p>	CL-PLACARD-AL3	
2	 <p>Document Holder</p>	MISC-DOC-TUBE	
3	 <p>Document Holder - Tethered</p>	MISC-DOC-TUBE-TC	






## Free Standing Number Decals

Item	Description	TSI P/N	Price
1		"0" DECAL - FREE STANDING - 2" TALL	DE-200-NBR0
2		"0" DECAL - FREE STANDING - 4" TALL	DE-400-NBR0
3		"1" DECAL - FREE STANDING - 2" TALL	DE-200-NBR1
4		"1" DECAL - FREE STANDING - 4" TALL	DE-400-NBR1
5		"2" DECAL - FREE STANDING - 2" TALL	DE-200-NBR2
6		"2" DECAL - FREE STANDING - 4" TALL	DE-400-NBR2
7		"3" DECAL - FREE STANDING - 2" TALL	DE-200-NBR3
8		"3" DECAL - FREE STANDING - 4" TALL	DE-400-NBR3
9		"4" DECAL - FREE STANDING - 2" TALL	DE-200-NBR4
10		"4" DECAL - FREE STANDING - 4" TALL	DE-400-NBR4

## Free Standing Number Decals

Item	Description	TSI P/N	Price
11		"5" DECAL - FREE STANDING - 2" TALL	DE-200-NBR5
12		"5" DECAL - FREE STANDING - 4" TALL	DE-400-NBR5
13		"6" DECAL - FREE STANDING - 2" TALL	DE-200-NBR6
14		"6" DECAL - FREE STANDING - 4" TALL	DE-400-NBR6
15		"7" DECAL - FREE STANDING - 2" TALL	DE-200-NBR7
16		"7" DECAL - FREE STANDING - 4" TALL	DE-400-NBR7
17		"8" DECAL - FREE STANDING - 2" TALL	DE-200-NBR8
18		"8" DECAL - FREE STANDING - 4" TALL	DE-400-NBR8
19		"9" DECAL - FREE STANDING - 2" TALL	DE-200-NBR9
20		"9" DECAL - FREE STANDING - 4" TALL	DE-400-NBR9

## Free Standing Letter Decals

Item	Description	TSI P/N	Price
1		"A" DECAL - FREE STANDING - 2" TALL	DE-200-LTRA
2		"A" DECAL - FREE STANDING - 4" TALL	DE-400-LTRA
3		"B" DECAL - FREE STANDING - 2" TALL	DE-200-LTRB
4		"B" DECAL - FREE STANDING - 4" TALL	DE-400-LTRB
5		"C" DECAL - FREE STANDING - 2" TALL	DE-200-LTRC
6		"C" DECAL - FREE STANDING - 4" TALL	DE-400-LTRC
7		"D" DECAL - FREE STANDING - 2" TALL	DE-200-LTRD
8		"D" DECAL - FREE STANDING - 4" TALL	DE-400-LTRD
9		"E" DECAL - FREE STANDING - 2" TALL	DE-200-LTRE
10		"E" DECAL - FREE STANDING - 4" TALL	DE-400-LTRE






## Free Standing Letter Decals

Item	Description	TSI P/N	Price
11		"F" DECAL - FREE STANDING - 2" TALL	DE-200-LTRF
12		"F" DECAL - FREE STANDING - 4" TALL	DE-400-LTRF
13		"G" DECAL - FREE STANDING - 2" TALL	DE-200-LTRG
14		"G" DECAL - FREE STANDING - 4" TALL	DE-400-LTRG
15		"H" DECAL - FREE STANDING - 2" TALL	DE-200-LTRH
16		"H" DECAL - FREE STANDING - 4" TALL	DE-400-LTRH
17		"I" DECAL - FREE STANDING - 2" TALL	DE-200-LTRI
18		"I" DECAL - FREE STANDING - 4" TALL	DE-400-LTRI
19		"J" DECAL - FREE STANDING - 2" TALL	DE-200-LTRJ
20		"J" DECAL - FREE STANDING - 4" TALL	DE-400-LTRJ

## Free Standing Letter Decals

Item	Description	TSI P/N	Price
21	 "K" DECAL - FREE STANDING - 2" TALL	DE-200-LTRK	
22		DE-400-LTRK	
23	 "L" DECAL - FREE STANDING - 2" TALL	DE-200-LTRL	
24		DE-400-LTRL	
25	 "M" DECAL - FREE STANDING - 2" TALL	DE-200-LTRM	
26		DE-400-LTRM	
27	 "N" DECAL - FREE STANDING - 2" TALL	DE-200-LTRN	
28		DE-400-LTRN	
29	 "O" DECAL - FREE STANDING - 2" TALL	DE-200-LTRO	
30		DE-400-LTRO	

## Free Standing Letter


Item	Description	TSI P/N	Price
31		"P" DECAL - FREE STANDING - 2" TALL	DE-200-LTRP
32		"P" DECAL - FREE STANDING - 4" TALL	DE-400-LTRP
33		"Q" DECAL - FREE STANDING - 2" TALL	DE-200-LTRQ
34		"Q" DECAL - FREE STANDING - 4" TALL	DE-400-LTRQ
35		"R" DECAL - FREE STANDING - 2" TALL	DE-200-LTRR
36		"R" DECAL - FREE STANDING - 4" TALL	DE-400-LTRR
37		"S" DECAL - FREE STANDING - 2" TALL	DE-200-LTRS
38		"S" DECAL - FREE STANDING - 4" TALL	DE-400-LTRS
39		"T" DECAL - FREE STANDING - 2" TALL	DE-200-LTRT
40		"T" DECAL - FREE STANDING - 4" TALL	DE-400-LTRT

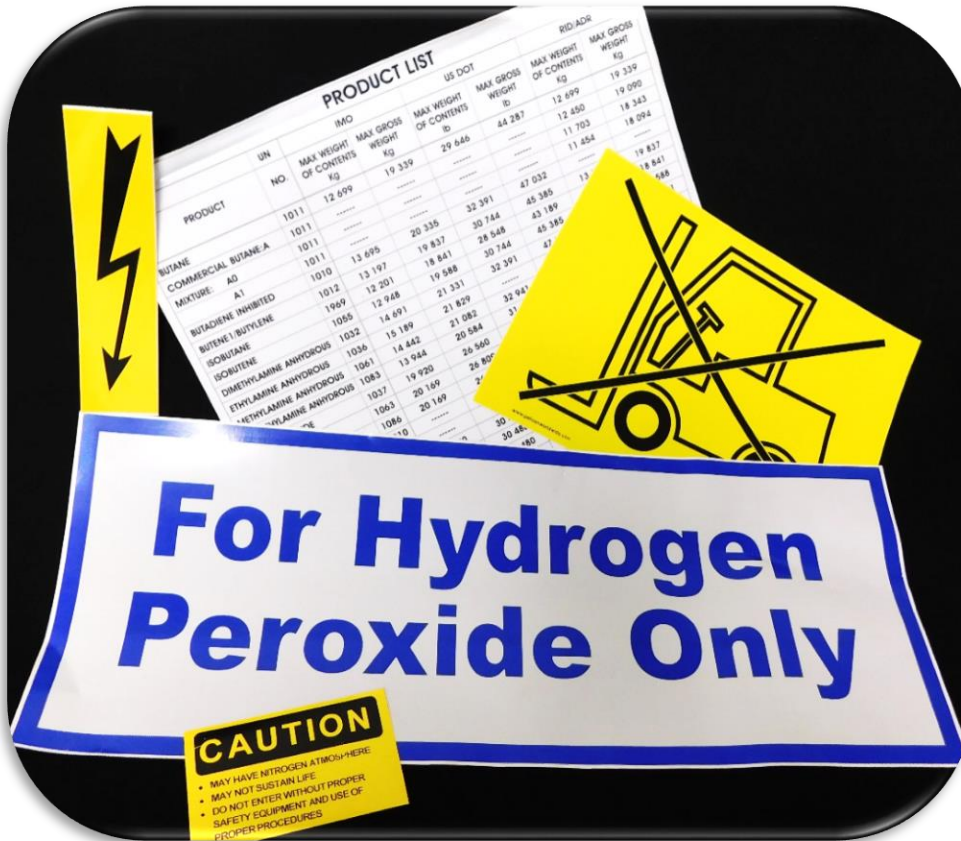


## Free Standing Letter

Item	Description	TSI P/N	Price
41		"U" DECAL - FREE STANDING - 2" TALL	DE-200-LTRU
42		"U" DECAL - FREE STANDING - 4" TALL	DE-400-LTRU
43		"V" DECAL - FREE STANDING - 2" TALL	DE-200-LTRV
44		"V" DECAL - FREE STANDING - 4" TALL	DE-400-LTRV
45		"W" DECAL - FREE STANDING - 2" TALL	DE-200-LTRW
46		"W" DECAL - FREE STANDING - 4" TALL	DE-400-LTRW
47		"X" DECAL - FREE STANDING - 2" TALL	DE-200-LTRX
48		"X" DECAL - FREE STANDING - 4" TALL	DE-400-LTRX
49		"Y" DECAL - FREE STANDING - 2" TALL	DE-200-LTRY
50		"Y" DECAL - FREE STANDING - 4" TALL	DE-400-LTRY

# Free Standing Letter

Item	Description	TSI P/N	Price
51		"Z" DECAL - FREE STANDING - 2" TALL	DE-200-LTRZ
52		"Z" DECAL - FREE STANDING - 4" TALL	DE-400-LTRZ








**Custom Decals made to order:**  
**Tank Logos, Unit #s, Chemical Names, etc.**  
**Just give us a detailed Description or Picture**  
**Make inquiries to: [PartsDepartment@tankservice.com](mailto:PartsDepartment@tankservice.com)**

## Tank Decals

Item	Description	TSI P/N	Price
1		GROUNDING LUG	DE-GRDLUG
2		NO FOOTWEAR DECAL - 12" DIAMETER	DE-NOFTWR
3		8" x 8" NO FORKLIFT	DE-NONFRK
4		OVERHEAD HAZARD WARNING (LIGHTNING BOLT)	DE-OVRHD
5		"STEAM INLET" DECAL	DE-STMINLT
6		"STEAM OUTLET" DECAL	DE-STMOTLT






# Tank Decals

Item	Description	TSI P/N	Price
1		"EMERGENCY - PULL CABLE TO CLOSE BOTTOM OUTLET" DECAL	DE-EMGYFVCL
2		"NO ENTRY UNDER NITROGEN PRESSURE" DECAL - 4" X 6" - BLACK LETTERS ON ORANGE BACKGROUND	DE-NTRGNOENT
3		DANGER DO NOT ENTER NITROGEN PRESSURE	DE-NTRGDNGR
4		Tank Liner Decal	DE-TNKLNR
5		SUPER HEAVY	DE-SPRHVY

## Tank Decals


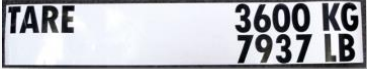


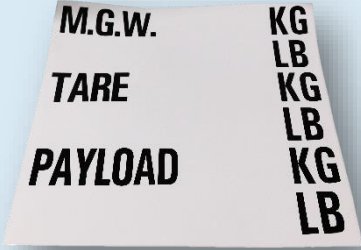
Item	Description	TSI P/N	Price
1		2" AAR 600	DE-AAR600
2		2" RID/ADR	DE-RIDADR
3		2" TC IMPACT APPROVED	DE-TCIMPAPV
4		2" DOT-51	DE-DOT51
5		BLANK OWNER'S UNIT NUMBER DECAL – 5.25" TALL X 24" LONG	DE-UNTNMB-BLNK
6		4" OWNER'S OPERATING NUMBER (MADE TO ORDER)	DE-UNTNMB

## Working Pressure

Item	Description	TSI P/N	Price
1		1.75 BAR MAWP	DE-MX175BAR
2		3 BAR MAWP	DE-MX3XXBAR
3		4 BAR MAWP	DE-MX4XXBAR
4		10 BAR MAWP	DE-MX10XBAR
5		22 BAR MAWP	DE-MX22XBAR
6		27.5 BAR MAWP	DE-MX275XBAR
7		34.4 BAR MAWP	DE-MX344XBAR





**Note: Any custom decals are available upon request**

# Weight

Item	Description	TSI P/N	Price
1		MAX GROSS WEIGHT (Made to order)	DE-MXGRSWGT
2		TARE WEIGHT (Made to order)	DE-MXTARWGT
3		MAX PAYLOAD (Made to order)	DE-MXPAYLDX
4		WEIGHT DECAL - BLANK - INCLUDES MGW & TARE	DE-MXWGTGWT
5		WEIGHT DECAL - BLANK - INCLUDES MGW, TARE & PAYLOAD	DE-MXWGTALL

Note: Any custom decals are available upon request





## Height Marker

	Item	Description	TSI P/N	Price
1		FOR 7 1/2' TALL CONTAINERS	DE-HT7.5	
2		FOR 8' TALL CONTAINERS	DE-HT8.0	
3		FOR STANDARD 8 1/2' TALL CONTAINERS	DE-HT8.5	
4		FOR HIGH-CUBE 9 1/2' TALL CONTAINERS	DE-HT9.5	

**Note: Any custom decals are available upon request**




# IC – Railway Approval

	Item	Description	TSI P/N	Price
1		IC BLANK	DE-IC00	
2		IC 60	DE-IC60	
3		IC 70	DE-IC70	
4		IC 87	DE-IC87	

**Note: Any custom decals are available upon request**

## IM & IMO

Item	Description	TSI P/N	Price
1	 2" IM-101	DE-IM101	
2	 2" IM-102	DE-IM102	
3	 2" IMO-1	DE-IMO1	
4	 2" IMO-2	DE-IMO2	
5	 2" IMO-5	DE-IMO5	

**Note: Any custom decals are available upon request**



## UN Tank

Item	Description	TSI P/N	Price
1	<b>UN TANK T11</b> 2" UN TANK T11	DE-UNTNKT11	
2	<b>UN TANK T14</b> 2" UN TANK T14	DE-UNTNKT14	
3	<b>UN TANK T20</b> 2" UN TANK T20	DE-UNTNKT20	
4	<b>UN TANK T50</b> 2" UN TANK T50	DE-UNTNKT50	
5	<b>UN PORTABLE TANK</b> 2" UN PORTABLE TANK	DE-UNPRTTNK	

**Note: Any custom decals are available upon request**

# Capacity

Item	Description	TSI P/N	Price
1	CAPACITY 14300 LT 2" - 14300 LT	DE-CP143LTR	
2	CAPACITY 17500 LT 2" - 17500 LT	DE-CP175LTR	
3	CAPACITY 21000 LT 2" - 21000 LT	DE-CP210LTR	
4	CAPACITY 23000 LT 2" - 23000 LT	DE-CP230LTR	
5	CAPACITY 24000 LT 2" - 24000 LT	DE-CP240LTR	
6	CAPACITY 25000 LT 2" - 25000 LT	DE-CP250LTR	
7	CAPACITY 26000 LT 2" - 26000 LT	DE-CP260LTR	

**Note: Any custom decals are available upon request**

## Size & Type

Item	Description	TSI P/N	Price
1	22K2	DE-22K2	
2	22K8	DE-22K8	
3	22T4	DE-22T4	
4	22T5	DE-22T5	
5	22T6	DE-22T6	
6	22T7	DE-22T7	
7	22T8	DE-22T8	

Note: Any custom decals are available upon request

Phone: (281) 542-5600

181

[www.PeroloUSA.net](http://www.PeroloUSA.net)